



Oregon

Theodore R. Kulongoski, Governor

Department of Transportation
Technical Services
Roadway Engineering Section
355 Capitol Street NE, Room 222
Salem, OR 97301-3871
Telephone 503-986-3714
FAX 503-986-3749

DATE: July 23, 2009

Addenda No. 3

TO: PLAN HOLDERS

PREPARED BY: Dan C. Keeley
Dan C. Keeley, P.E.
Marion County

APPROVED BY: Dan C. Keeley P.E.
Dan C. Keeley
Marion County

SUBJECT: Marion County and Keizer Pavement Resurfacing
Marion County
Asphalt Concrete Paving Project
(Bids to be opened and read July 30, 2009)

The following changes are made to the Project Bid Booklet:

1. DESCRIPTION OF WORK page - The first paragraph under Time and Place of Receiving Bids is replaced with the following:

Bids for the work described above will be opened and read at the Oregon Department of Transportation, 455 Airport Road SE, Building E, Salem, Oregon, at 9:00 a.m. on the 30th day of July, 2009.

2. The following changes are made to the Project Bid Items:

a. Quantity changes:

Number	Item	Quantity	
		Original	New
0100 -	FLAGGER STATION LIGHTING	2	4
0150 -	ADJUSTING CATCH BASINS	14	1

Marion County and Keizer Pavement Resurfacing
Marion County
Asphalt Concrete Paving Project
(Bids to be opened and read July 30, 2009)

b. Name and Quantity Changes:

<u>Number</u>	<u>New Item Name</u>	<u>Quantity</u>	
		<u>Original</u>	<u>New</u>
0240 -	EXTRA FOR ASPHALT APPROACHES	42	143

c. Name Changes:

<u>Number</u>	<u>New Item Name</u>
0280 -	THERMOPLASTIC, NON-PROFILE, 120 MILS, EXTRUDED

Make a copy of and use the new attached Bid Sheets. A Bid **not** including these new Bid Sheets **will be rejected as non-responsive**.

The following changes are made to the Project Special Provisions:

1. Subsection 00620.40 Pavement Removal – Replace this Subsection with the following:

00620.40 Pavement Removal – Comply with this subsection of the Standard Specifications except on Lockhaven Drive Section “M”. On Lockhaven Drive Section “M” repave all cold planed areas during the same work shift.

2. Subsection 00641.22 Spreading Equipment - The following paragraph is added after the first paragraph:

Place the shoulder material with a shoulder machine that performs the following operations:

- Receives the material directly from the hauling vehicle
- Conveys the material directly to the shoulder area
- Spreads the material as part of the conveying operation

The following changes are made to the Project Plans:

1. Plan sheets 1A, 2A2 and 2A7 are replaced with revised plan sheets 1A, 2A2 and 2A7.

These changes will be included in the Contract for this Project. It is understood that your Bid will be submitted accordingly.

Make copies of the new Bid Sheets to replace the Special Provisions Bid Schedule Sheets.

Attachments: New Bid Sheets
Revised Plan Sheets

BID SCHEDULE

CONTRACT ID: 14093

PROJECT: MARION COUNTY AND KEIZER PAVEMENT
RESURFACING

PROJECT KEY: 16589

ADDENDUM NUMBER: 3

ITEM NO	ITEM DESCRIPTION	QUANTITY AND UNITS	UNIT PRICE (IN FIGURES)	BID AMOUNT (IN FIGURES)
SECTION 0001 TEMPORARY FEATURES AND APPURTENANCES				
0010	0210-0100000A MOBILIZATION	LS ALL		
0020	0225-0100000A TEMPORARY PROTECTION AND DIRECTION OF TRAFFIC	LS ALL		
0030	0225-0102000J TEMPORARY SIGNS	SQFT 2,670.00		
0040	0225-0105000E TEMPORARY BARRICADES, TYPE III	EACH 8.00		
0050	0225-0145000E TEMPORARY PLASTIC DRUMS	EACH 64.00		
0060	0225-0149000E TEMPORARY FLEXIBLE PAVEMENT MARKERS	EACH 14,000.00		
0070	0225-0151000F TEMPORARY NON-REMOVABLE TAPE	FOOT 600.00		
0080	0225-0164000E PORTABLE CHANGEABLE MESSAGE SIGNS	EACH 6.00		
0090	0225-0168000T FLAGGERS	HOUR 1,800.00		
0100	0225-0168100E FLAGGER STATION LIGHTING	EACH 4.00		
0110	0225-0169000E TRAFFIC CONTROL SUPERVISOR	EACH 11.00		
0120	0225-0172000T PILOT CARS	HOUR 260.00		

BID SCHEDULE

CONTRACT ID: 14093

PROJECT: MARION COUNTY AND KEIZER PAVEMENT
RESURFACING

PROJECT KEY: 16589

ADDENDUM NUMBER: 3

ITEM NO	ITEM DESCRIPTION	QUANTITY AND UNITS	UNIT PRICE (IN FIGURES)	BID AMOUNT (IN FIGURES)
0130	0290-0100000A POLLUTION CONTROL PLAN	LS ALL		

SECTION 0002 DRAINAGE AND SEWERS

0140	0490-0100000E ADJUSTING BOXES	EACH 25.00		
0150	0490-0102000E ADJUSTING CATCH BASINS	EACH 1.00		
0160	0490-0120000E MINOR ADJUSTMENT OF MANHOLES	EACH 87.00		

SECTION 0003 BASES

0170	0620-0104000J COLD PLANE PAVEMENT REMOVAL, 0 - 2 INCHES DEEP	SQYD 25,000.00		
0180	0641-0130000M AGGREGATE SHOULDERS	TON 900.00		

SECTION 0004 WEARING SURFACES

0190	0730-0100000M EMULSIFIED ASPHALT FOR TACK COAT	TON 30.00		
0200	0744-0202000M LEVEL 2, 1/2 INCH DENSE MHMAC MIXTURE	TON 1,220.00		
0210	0744-0302000M LEVEL 3, 1/2 INCH DENSE MHMAC MIXTURE	TON 11,000.00		

BID SCHEDULE

CONTRACT ID: 14093

PROJECT: MARION COUNTY AND KEIZER PAVEMENT
RESURFACING

PROJECT KEY: 16589

ADDENDUM NUMBER: 3

ITEM NO	ITEM DESCRIPTION	QUANTITY AND UNITS	UNIT PRICE (IN FIGURES)	BID AMOUNT (IN FIGURES)
0220	0744-0331000M LEVEL 3, 1/2 INCH DENSE MHMAC MIXTURE IN LEVELING	TON	2,500.00	
0230	0748-0106000J 12 INCH ASPHALT CONCRETE PAVEMENT REPAIR	SQYD	1,600.00	
0240	0749-0100000E EXTRA FOR ASPHALT APPROACHES	EACH	143.00	

SECTION 0005 PERMANENT TRAFFIC SAFETY AND GUIDANCE DEVICES

0250	0855-0100000E MONO-DIRECTIONAL WHITE TYPE 1 MARKERS	EACH	6.00	
0260	0855-0102000E BI-DIRECTIONAL YELLOW TYPE 1 MARKERS	EACH	254.00	
0270	0860-0200000F LONGITUDINAL PAVEMENT MARKINGS - PAINT	FOOT	100,000.00	
0280	0865-0107000F THERMOPLASTIC, NON-PROFILE, 120 MILS, EXTRUDED	FOOT	200.00	
0290	0867-0103000E PAVEMENT LEGEND, TYPE B: ARROWS	EACH	27.00	
0300	0867-0107000E PAVEMENT LEGEND, TYPE B: "ONLY"	EACH	4.00	
0310	0867-0115000E PAVEMENT LEGEND, TYPE B: "SCHOOL" LARGE	EACH	9.00	
0320	0867-0131000E PAVEMENT LEGEND, TYPE B: BICYCLE LANE STENCIL	EACH	11.00	
0330	0867-0145000J PAVEMENT BAR, TYPE B	SQFT	1,800.00	

BID SCHEDULE

CONTRACT ID: 14093

PROJECT: MARION COUNTY AND KEIZER PAVEMENT
RESURFACING

PROJECT KEY: 16589

ADDENDUM NUMBER: 3

ITEM NO	ITEM DESCRIPTION	QUANTITY AND UNITS	UNIT PRICE (IN FIGURES)	BID AMOUNT (IN FIGURES)
0340	0867-0149000E PAVEMENT LEGEND, TYPE B: "CROSSING" LARGE	EACH	9.00	

SECTION 0006 PERMANENT TRAFFIC CONTROL AND ILLUMINATION SYSTEMS

0350	0990-0102000A TRAFFIC SIGNAL MODIFICATION	LS	ALL	
------	---	----	-----	--

SECTION 0007 RIGHT-OF-WAY DEVELOPMENT AND CONTROL

0360	1070-0100000E SINGLE MAILBOX SUPPORTS	EACH	36.00	
0370	1070-0101000E MULTIPLE MAILBOX SUPPORTS	EACH	6.00	
0380	1070-0102000E MAILBOX CONCRETE COLLARS	EACH	14.00	
0390	1070-0103000E REMOVE AND REINSTALL MAILBOX SUPPORTS	EACH	14.00	
	TOTAL BID			

INDEX OF SHEETS	
SHEET NO.	DESCRIPTION
2 - 2A8	TYPICAL SECTIONS
2B	TEMPORARY TRAFFIC CONTROL PLAN
3	HAZELGREEN RD NE, WARD DR NE & BROWN RD NE
4	CENTER ST NE, AUBURN RD NE & STATE ST NE
5	TURNER RD SE
6	LOCKHAVEN DR N & WHEATLAND RD N
7	LOCKHAVEN DR N/14TH AVE VIDEO DETECTION
7A	LOCKHAVEN DR N/14TH AVE SIGNAL PLAN

Standard Drg. Nos.

RD360 - MANHOLE FRAME ADJUSTMENT

RD610 - ASPHALT PAVEMENT DETAILS

RD715 - APPROACHES AND NON SIDEWALK DRIVEWAYS

TM800, 820, 841, 850 - TRAFFIC CONTROL PLANS

TM204, 670, 810, 821 - TEMPORARY REFLECTIVE PAVEMENT MARKERS

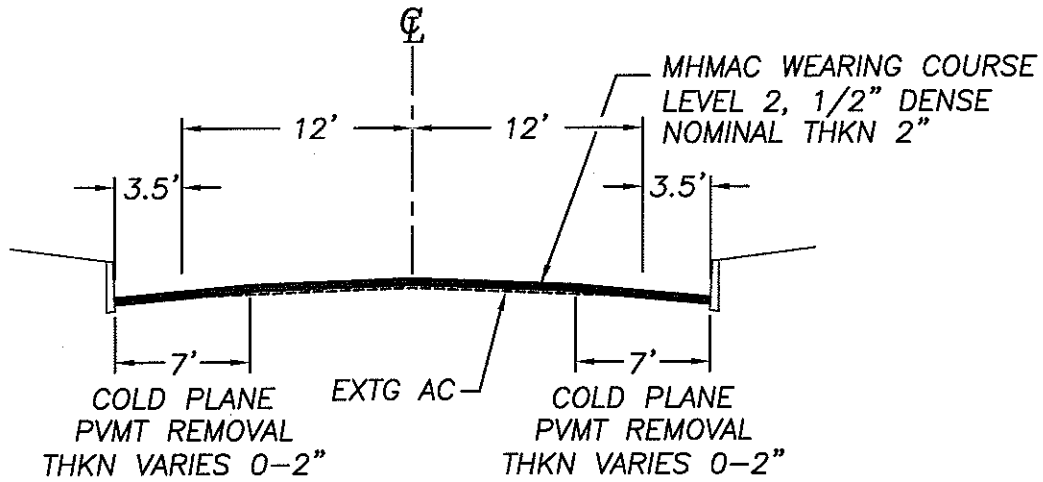
TM500, 503, 530 - PAVEMENT MARKING STANDARD DETAIL BLOCKS



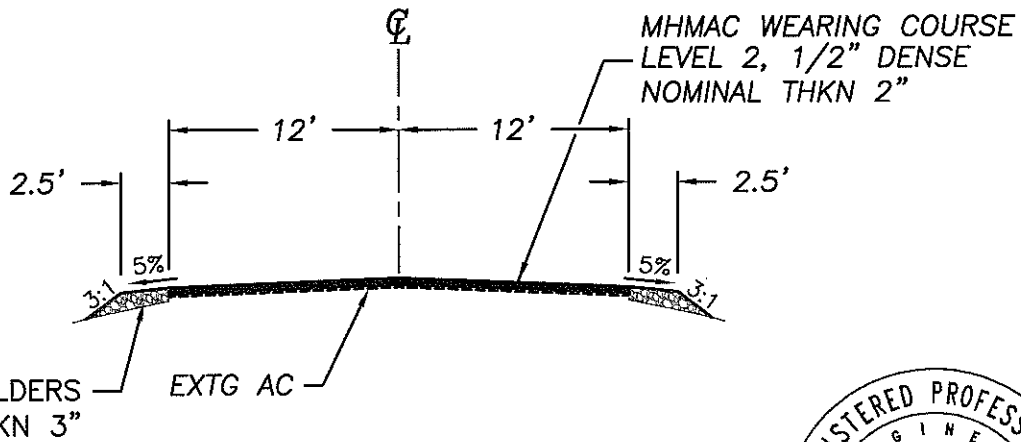
MARION COUNTY AND KEIZER PAVEMENT RESURFACING		
FEDERAL HIGHWAY ADMINISTRATION	PROJECT NUMBER	SHEET NO.
OREGON DIVISION	X-STP-C047(043)	1A

TYPICAL SECTION

BROWN RD



WYOMING ST. TO ARIZONA DR. (Section C)



ARIZONA DR. TO CAROLINA AVE. (Section D)



EXPIRES 06-30-2009

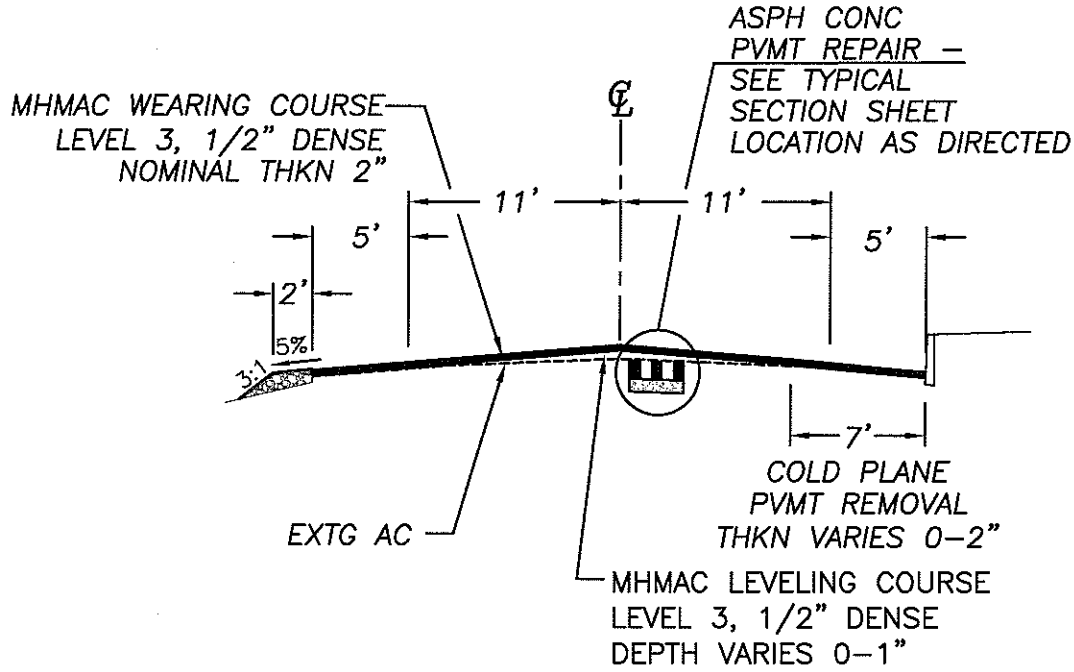
MARION COUNTY AND KEIZER PAVEMENT RESURFACING		
FEDERAL HIGHWAY ADMINISTRATION	PROJECT NUMBER	SHEET NO.
OREGON DIVISION	X-STP-C047(043)	2A2



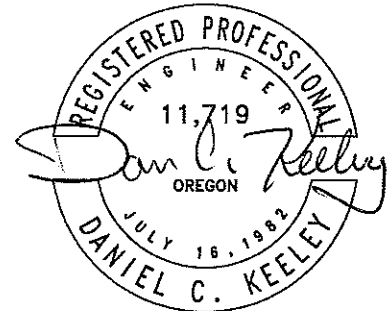
G:\Engineering\ProjectCentral\Projects\Stimulus\MarionCountyRoadsUrbanTypicals.dwg, 7/23/2009 2:40:35 PM

TYPICAL SECTION

WHEATLAND RD



2ND AVE TO KEIZER CITY LIMITS (Section K)



EXPIRES 08-30-2009

MARION COUNTY AND KEIZER
PAVEMENT RESURFACING



MARION COUNTY AND KEIZER PAVEMENT RESURFACING		
FEDERAL HIGHWAY ADMINISTRATION	PROJECT NUMBER	SHEET NO.
OREGON DIVISION	X-STP-C047(043)	2A7