



Oregon

Theodore R. Kulongoski, Governor

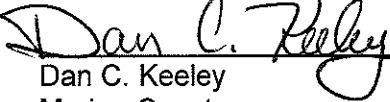
Department of Transportation
Technical Services
Roadway Engineering Section
355 Capitol Street NE, Room 222
Salem, OR 97301-3871
Telephone 503-986-3714
FAX 503-986-3749

DATE: July 23, 2009

Addenda No. 3

TO: PLAN HOLDERS

PREPARED BY: 
Dan C. Keeley, P.E.
Marion County

APPROVED BY:  P.E.
Dan C. Keeley
Marion County

SUBJECT: Marion County and Woodburn Pavement Resurfacing
Marion County
Asphalt Concrete Paving Project
(Bids to be opened and read July 30, 2009)

The following changes are made to the Project Bid Booklet:

1. DESCRIPTION OF WORK page - The first paragraph under Time and Place of Receiving Bids is replaced with the following:

Bids for the work described above will be opened and read at the Oregon Department of Transportation, 455 Airport Road SE, Building E, Salem, Oregon, at 9:00 a.m. on the 30th day of July, 2009.

2. The following changes are made to the Project Bid Items:

a. Quantity changes:

<u>Number</u>	<u>Item</u>	<u>Quantity</u>	
		<u>Original</u>	<u>New</u>
0110	Adjusting Catch Basins	22	11

Marion County and Woodburn Pavement Resurfacing
 Marion County
 Asphalt Concrete Paving Project
 (Bids to be opened and read July 30, 2009)

b. Name Changes:

<u>Number</u>	<u>Item</u>	<u>Quantity</u>	
		<u>Original</u>	<u>New</u>
0210	EXTRA FOR ASPHALT APPROACHES	116	138

b. Name Changes:

<u>Number</u>	<u>New Item Name</u>
0240 -	THERMOPLASTIC, NON-PROFILE, 120 MILS, EXTRUDED

Make a copy of and use the new attached Bid Sheets. A Bid **not** including these new Bid Sheets **will be rejected as non-responsive**.

The following changes are made to the Project Special Provisions:

1. The following is added after Section 00290:

SECTION 00350 GEOSYNTHETIC INSTALLATION

Comply with Section 00350 of the Standard Specification modified as follows:

Subsection 00350.10 Materials – The following is added to the end of this subsection:

Provide manufacturer’s certifications complying with 02320.10(c) for the following geosynthetics:

Pavement overlay Level B

2. Subsection 00620.40 Pavement Removal – The entire subsection is deleted from the Special Provisions.

3. Subsection 00641.22 Spreading Equipment- The following paragraph is added after the first paragraph:

Place the shoulder material with a shoulder machine that performs the following operations:

- Receives the material directly from the hauling vehicle
- Conveys the material directly to the shoulder area
- Spreads the material as part of the conveying operation

Marion County and Woodburn Pavement Resurfacing
Marion County
Asphalt Concrete Paving Project
(Bids to be opened and read July 30, 2009)

4. The following is added after Section 01070:

SECTION 02320 GEOSYNTHETIC INSTALLATION

Comply with Section 002320 of the Standard Specifications.

The following changes are made to the Project Plans:

1. Plan sheets 1A, 2 and 2A5 are replaced with revised plan sheets 1A, 2 and 2A5.

These changes will be included in the Contract for this Project. It is understood that your Bid will be submitted accordingly.

Make copies of the new Bid Sheets to replace the Special Provisions Bid Schedule Sheets.

Attachments: New Bid Sheets
Revised Plan Sheets

BID SCHEDULE

CONTRACT ID: 14092

PROJECT: MARION COUNTY & WOODBURN: PAVEMENT RESURFACING

PROJECT KEY: 16601

ADDENDUM NUMBER: 3

ITEM NO	ITEM DESCRIPTION	QUANTITY AND UNITS	UNIT PRICE (IN FIGURES)	BID AMOUNT (IN FIGURES)
---------	------------------	--------------------	----------------------------	----------------------------

SECTION 0001 TEMPORARY FEATURES AND APPURTENANCES

0010	0210-0100000A MOBILIZATION	LS	ALL	
0020	0225-0100000A TEMPORARY PROTECTION AND DIRECTION OF TRAFFIC	LS	ALL	
0030	0225-0102000J TEMPORARY SIGNS	SQFT	2,280.00	
0040	0225-0149000E TEMPORARY FLEXIBLE PAVEMENT MARKERS	EACH	11,000.00	
0050	0225-0151000F TEMPORARY NON-REMOVABLE TAPE	FOOT	1,400.00	
0060	0225-0168000T FLAGGERS	HOUR	1,100.00	
0070	0225-0169000E TRAFFIC CONTROL SUPERVISOR	EACH	10.00	
0080	0225-0172000T PILOT CARS	HOUR	180.00	
0090	0290-0100000A POLLUTION CONTROL PLAN	LS	ALL	

SECTION 0002 DRAINAGE AND SEWERS

0100	0490-0100000E ADJUSTING BOXES	EACH	25.00	
0110	0490-0102000E ADJUSTING CATCH BASINS	EACH	11.00	

BID SCHEDULE

CONTRACT ID: 14092

PROJECT: MARION COUNTY & WOODBURN: PAVEMENT RESURFACING

PROJECT KEY: 16601

ADDENDUM NUMBER: 3

ITEM NO	ITEM DESCRIPTION	QUANTITY AND UNITS	UNIT PRICE (IN FIGURES)	BID AMOUNT (IN FIGURES)
0120	0490-0120000E MINOR ADJUSTMENT OF MANHOLES	EACH	27.00	

SECTION 0003 BASES

0130	0620-0104000J COLD PLANE PAVEMENT REMOVAL, 0 - 2 INCHES DEEP	SQYD	8,900.00	
0140	0641-0130000M AGGREGATE SHOULDERS	TON	5,200.00	

SECTION 0004 WEARING SURFACES

0150	0350-0106000J PAVEMENT OVERLAY GEOTEXTILE	SQYD	16,000.00	
0160	0730-0100000M EMULSIFIED ASPHALT FOR TACK COAT	TON	45.00	
0170	0744-0202000M LEVEL 2, 1/2 INCH DENSE MHMAC MIXTURE	TON	7,100.00	
0180	0744-0231000M LEVEL 2, 1/2 INCH DENSE MHMAC MIXTURE IN LEVELING	TON	1,900.00	
0190	0744-0302000M LEVEL 3, 1/2 INCH DENSE MHMAC MIXTURE	TON	11,000.00	
0200	0744-0331000M LEVEL 3, 1/2 INCH DENSE MHMAC MIXTURE IN LEVELING	TON	900.00	
0210	0749-0100000E EXTRA FOR ASPHALT APPROACHES	EACH	138.00	

SECTION 0005 PERMANENT TRAFFIC SAFETY AND GUIDANCE DEVICES

BID SCHEDULE

CONTRACT ID: 14092

PROJECT: MARION COUNTY & WOODBURN: PAVEMENT RESURFACING

PROJECT KEY: 16601

ADDENDUM NUMBER: 3

ITEM NO	ITEM DESCRIPTION	QUANTITY AND UNITS	UNIT PRICE (IN FIGURES)	BID AMOUNT (IN FIGURES)
0220	0855-0102000E BI-DIRECTIONAL YELLOW TYPE 1 MARKERS	EACH 1,150.00		
0230	0860-0200000F LONGITUDINAL PAVEMENT MARKINGS - PAINT	FOOT 160,000.00		
0240	0865-0107000F THERMOPLASTIC, NON-PROFILE, 120 MILS, EXTRUDED	FOOT 190.00		
0250	0867-0103000E PAVEMENT LEGEND, TYPE B: ARROWS	EACH 7.00		
0260	0867-0107000E PAVEMENT LEGEND, TYPE B: "ONLY"	EACH 1.00		
0270	0867-0115000E PAVEMENT LEGEND, TYPE B: "SCHOOL" LARGE	EACH 2.00		
0280	0867-0119000E PAVEMENT LEGEND, TYPE B: RAILROAD CROSSING	EACH 1.00		
0290	0867-0131000E PAVEMENT LEGEND, TYPE B: BICYCLE LANE STENCIL	EACH 6.00		
0300	0867-0145000J PAVEMENT BAR, TYPE B	SQFT 660.00		
0310	0867-0149000E PAVEMENT LEGEND, TYPE B: "CROSSING" LARGE	EACH 2.00		

SECTION 0006 PERMANENT TRAFFIC CONTROL AND ILLUMINATION SYSTEMS

0320	0990-0103000A LOOP DETECTOR INSTALLATION	LS ALL		
------	--	--------	--	--

SECTION 0007 RIGHT-OF-WAY DEVELOPMENT AND CONTROL

BID SCHEDULE

CONTRACT ID: 14092

PROJECT: MARION COUNTY & WOODBURN: PAVEMENT
RESURFACING

PROJECT KEY: 16601

ADDENDUM NUMBER: 3

ITEM NO	ITEM DESCRIPTION	QUANTITY AND UNITS	UNIT PRICE (IN FIGURES)	BID AMOUNT (IN FIGURES)
0330	1070-0100000E SINGLE MAILBOX SUPPORTS	EACH 62.00		
0340	1070-0101000E MULTIPLE MAILBOX SUPPORTS	EACH 10.00		
0350	1070-0102000E MAILBOX CONCRETE COLLARS	EACH 10.00		
0360	1070-0103000E REMOVE AND REINSTALL MAILBOX SUPPORTS	EACH 4.00		
	TOTAL BID			

INDEX OF SHEETS	
SHEET NO.	DESCRIPTION
2-2A5	TYPICAL SECTIONS
2B-2B2	TEMPORARY TRAFFIC CONTROL
2C	YOUNG STREET STRIPING
2D	YOUNG STREET LOOP DETAIL
3	PINE STREET NE
4	RIVER ROAD NE
5	CHECKERBOARD ROAD NE
6	RIVER ROAD S & ORVILLE ROAD S
7	WOODBURN RESURFACING (YOUNG STREET)

Standard Drg. Nos.

RD360 - MANHOLE FRAME ADJUSTMENT
RD610 - ASPHALT PAVEMENT DETAILS
RD715 - APPROACHES AND NON SIDEWALK DRIVEWAYS
TM800, 820, 841, 850 - TRAFFIC CONTROL PLANS
TM204, 670, 810, 821 - TEMPORARY REFLECTIVE PAVEMENT MARKERS
TM475 - LOOP DETAILS
TM500, 503, 530 - PAVEMENT MARKING STANDARD DETAIL BLOCKS

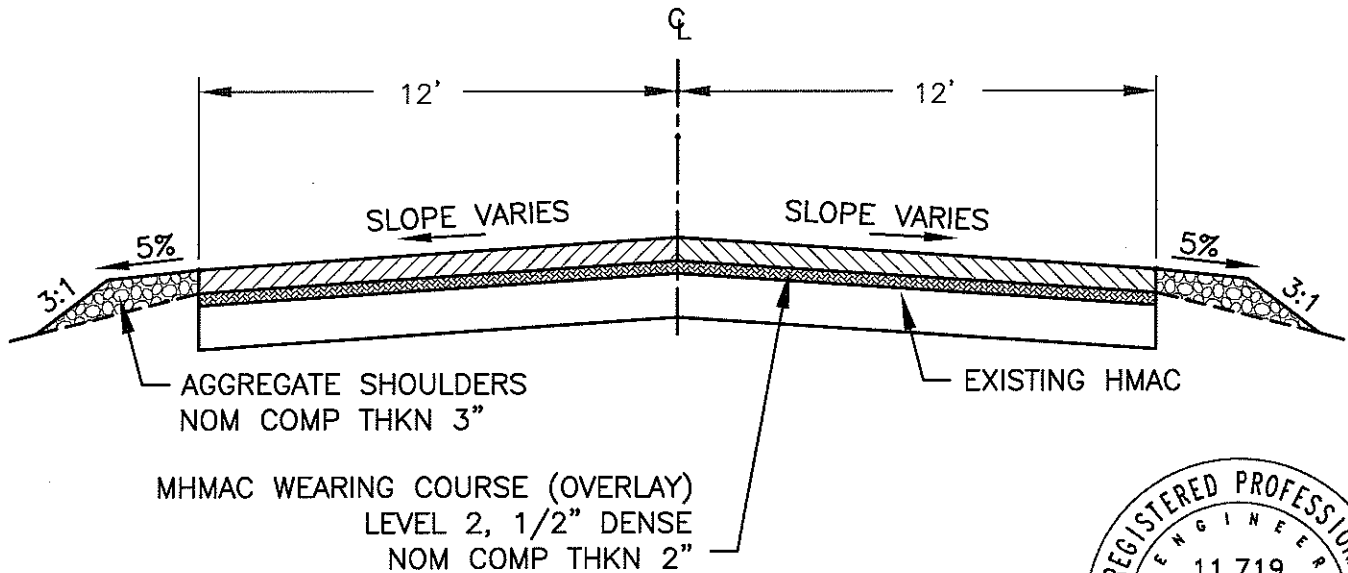


MARION COUNTY AND WOODBURN PAVEMENT RESURFACING		
FEDERAL HIGHWAY ADMINISTRATION	PROJECT NUMBER	SHEET NO.
OREGON DIVISION	X-STP-C047(041)	1A

TYPICAL SECTION

MT ANGEL HWY TO GRANT ST PINE ST NE

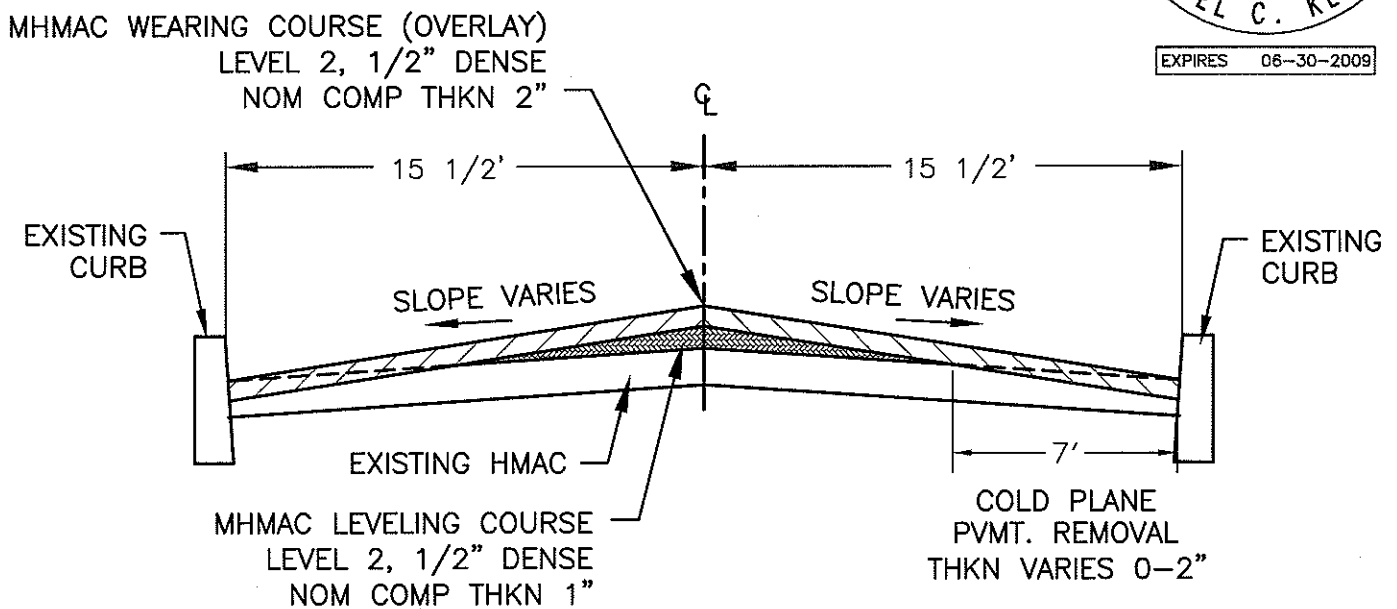
NO SCALE



STA. 0+00 TO STA. 56+50



EXPIRES 06-30-2009



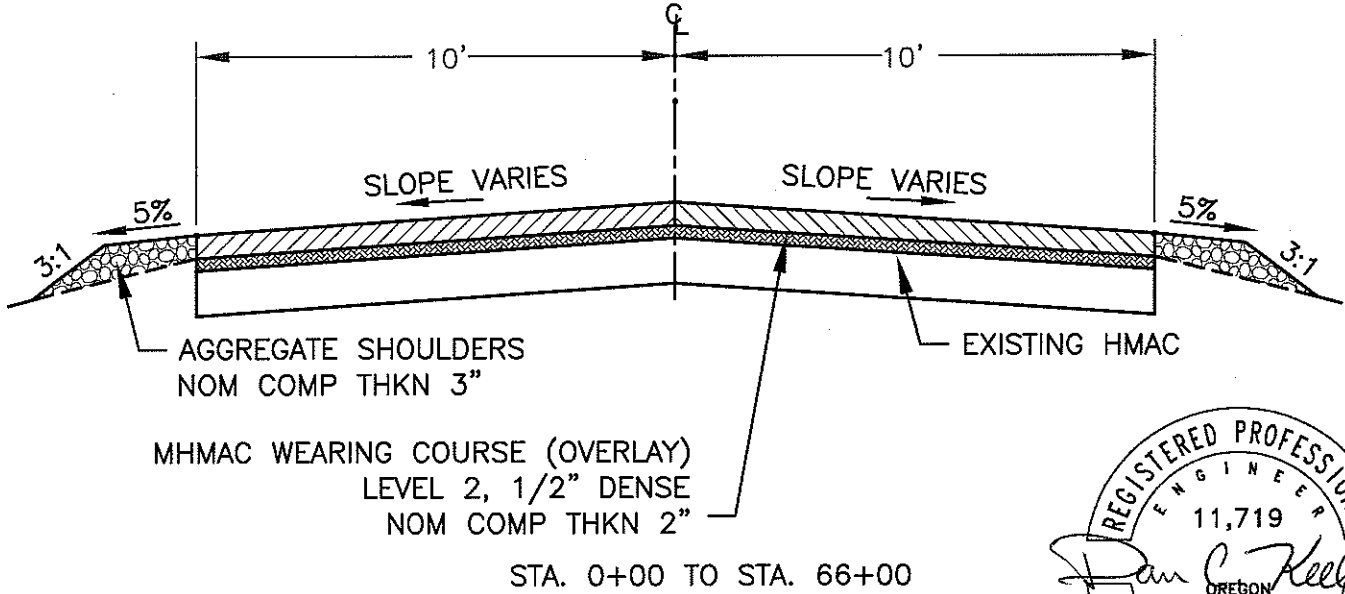
STA. 56+50 TO STA. 59+80

MARION COUNTY AND WOODBURN PAVEMENT RESURFACING		
FEDERAL HIGHWAY ADMINISTRATION	PROJECT NUMBER	SHEET NO. 2
OREGON DIVISION	X-STP-C047(041)	



TYPICAL SECTION RIVER RD S TO VITAE SPRINGS RD S ORVILLE RD S

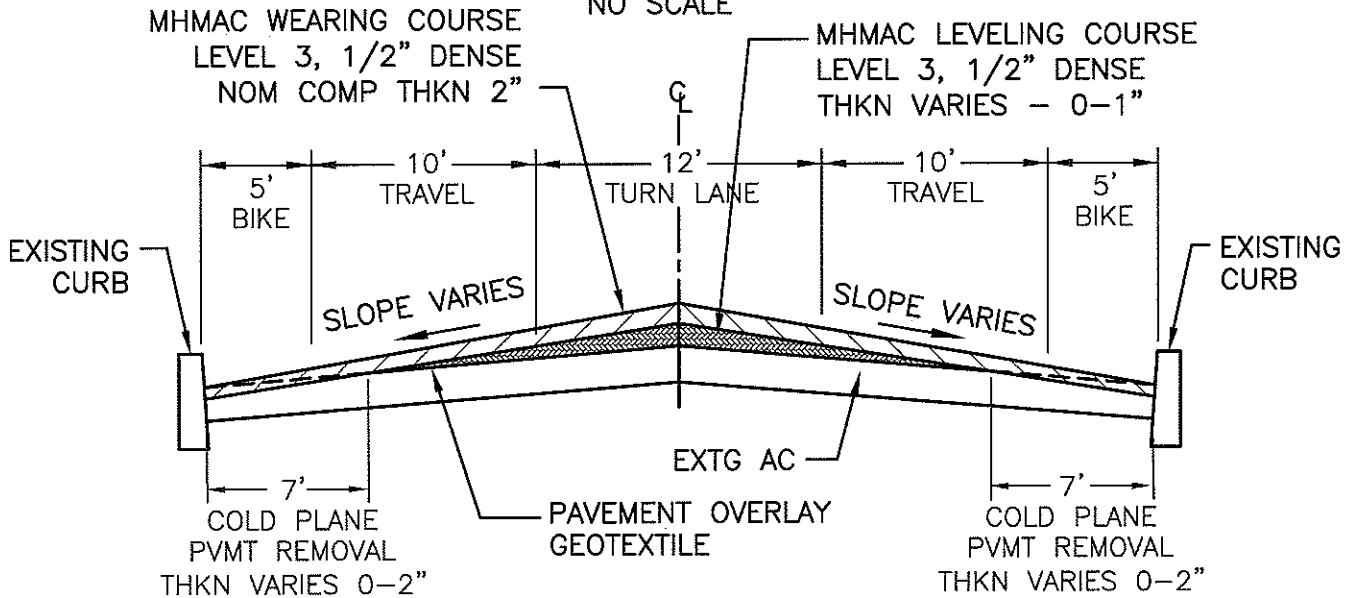
NO SCALE



EXPIRES 06-30-2009

E. SIDE OF RAILROAD R/W TO HWY 99E YOUNG ST, WOODBURN

NO SCALE



MARION COUNTY AND WOODBURN PAVEMENT RESURFACING		
FEDERAL HIGHWAY ADMINISTRATION	PROJECT NUMBER	SHEET NO.
OREGON DIVISION	X-STP-C047(041)	2A5

