



# Oregon

Theodore R. Kulongoski, Governor

Department of Transportation  
Technical Services  
Roadway Engineering Section  
355 Capitol Street NE, Room 222  
Salem, OR 97301-3871  
Telephone 503-986-3714  
FAX 503-986-3749

**DATE:** August 13, 2009

**Addenda No. 1**

**TO:** PLAN HOLDERS

**PREPARED BY:** Eric Zitterkopf, P.E. <sup>EZ</sup>

**APPROVED BY:**   
Jeremy Morris, P.E.

**SUBJECT:** Silver Creek Rd & Greenhouse Ln Chip Seals  
Silver Creek Road and Greenhouse Lane  
Harney County  
Paving Project  
(Bids to be opened and read August 20, 2009)

**The following change is made to the Project Special Provisions:**

1. Subsection **00710.00 Scope** - This subsection is replaced with the following subsection:

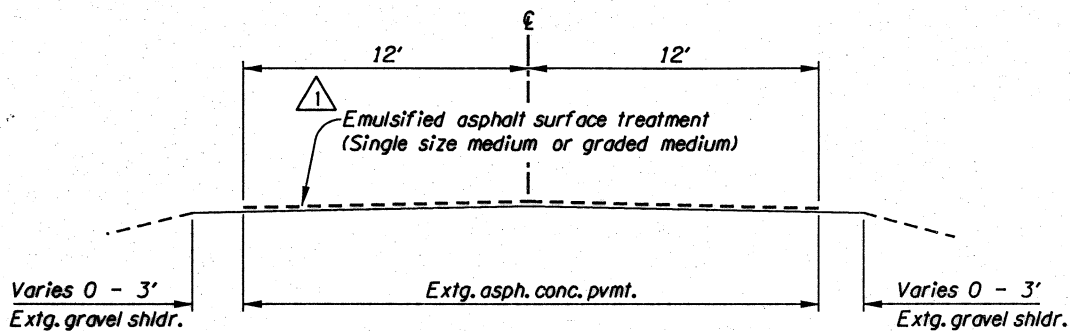
**00710.00 Scope** - Provide single size medium or graded medium chip seal design type on this project.

**The following change is made to the Project Plans:**

1. Plan sheets 2 and 2A are replaced with revised plan sheets 2 and 2A.

These changes will be included in the Contract for this Project. It is understood that your Bid will be submitted accordingly.

**Attachment:** Revised Plan Sheet(s)



M.P. 1.60 To M.P. 6.60

SILVER CREEK ROAD

	DATE	Revision Description	Name
	8-13-09	Medium Size Change	RER



OREGON DEPARTMENT OF TRANSPORTATION

**ap** anderson  
perry  
& associates, inc.

1901 N Fir St.  
La Grande, OR 97850  
(541) 963-8309

**SILVER CREEK RD & GREENHOUSE LN CHIP SEALS**  
SILVER CREEK ROAD AND GREENHOUSE LANE  
HARNEY COUNTY

Reviewed By - E. Zitterkopf  
Designed By - J. Morris  
Drafted By - L. Hubaf

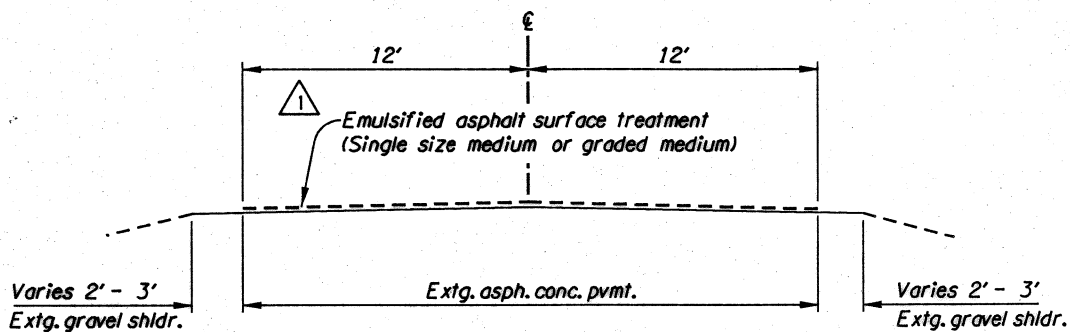
REGISTERED PROFESSIONAL  
ENGINEER  
74933PE  
OREGON  
JUL. 13, 2004  
JEREMY DAVID MORRIS

RENEWS 12-31-10  
SIGNED 08-13-09

**TYPICAL SECTIONS**

SHEET  
NO.  
**2**

R:\ODOT\863-104\_HarneyCnty-ChipSeal\dgn\14681f.tyl 8/13/2009 9:35:29 AM



M.P. 0 To M.P. 4.14

GREENHOUSE LANE

R:\0D0T\863-104\_HarneyCnty-ChipSeal\dgn\14681f.tyl 8/13/2009 9:35:29 AM

	DATE	Revision Description	Name
	8-13-09	Medium Size Change	RER

REGISTERED PROFESSIONAL  
ENGINEER  
74933PE  
OREGON  
JUL. 13, 2004  
JEREMY DAVID MORRIS

RENEWS 12-31-10  
SIGNED 08-13-09

OREGON DEPARTMENT OF TRANSPORTATION

**anderson perry**  
& associates, inc.

1901 N Fir St.  
La Grande, OR 97850  
(541) 963-8309

**SILVER CREEK RD & GREENHOUSE LN CHIP SEALS**  
SILVER CREEK ROAD AND GREENHOUSE LANE  
HARNEY COUNTY

Reviewed By - E. Zitterkopf  
Designed By - J. Morris  
Drafted By - L. Hubof

**TYPICAL SECTIONS**

SHEET NO.  
**2A**