



Oregon

Theodore R. Kulongoski, Governor

Department of Transportation
Technical Services
Roadway Engineering Section
355 Capitol Street NE, Room 222
Salem, OR 97301-3871
Telephone 503-986-3714
FAX 503-986-3749

DATE: May 14, 2009

Addenda No. 3

TO: PLAN HOLDERS

PREPARED BY: Bobby L. Staggs

APPROVED BY: Edward Cantrell, PE

SUBJECT: US101: Columbia River (Astoria - Megler) Bridge #07949A Section
Oregon Coast Highway
Clatsop County
Bridge Painting Project
(Bids to be opened and read May 21, 2009)

The following changes are made to the Project Special Provisions:

1. Subsection **00150.50(f) Utility Information** - The following utility information is added added after the paragraph that begins "Contractor shall locate...":
2. Washington State Department of Transportation

Scott Wilcox
(360) 905-2206

Contractor shall locate, preserve and protect the existing signal conduit at the north end of the structure on the east side of the bridge. Contractor shall contact Scott Wilcox of WashDOT at least 48 hours before sandblasting the bridge structure in the vicinity of the said conduit.

2. Subsection **00150.55 Cooperation with Other Contractors** - The following paragraph is added after the paragraph that begins "**Kintama Research...**":

ODOT District 1 Maintenance

Contact Jeff Buchanan (503) 440-1892

ODOT District 1 Maintenance will be replacing two signs on the bridge during the Contractor's lane closures.

3. Subsection **00290.42(b) Work Containment System** - This subsection is replaced with the following subsection:

00290.42(b) Work Containment System - Provide containment complying with 00594.05.

4. Subsection **00594.05 Access and Containment for Field Preparation and Coating** - This subsection is replaced with the following subsection:

00594.05 Access and Containment for Field Preparation and Coating - Add the following to the end of this subsection:

Design calculations for the structural members of the bridge are not required if all of the following conditions are satisfied:

1. Total combined live load and dead load of all work platforms and containment installed on any span, including all personnel, equipment, materials, and collected debris or water, does not exceed 14 pounds per square foot.
2. Total combined projected area of rigid containment materials installed on any 351 foot truss span does not exceed 2100 square feet symmetrically placed on the bridge or 1050 square feet un-symmetrically placed on the bridge.
3. Total combined projected area of flexible and rigid containment materials installed on any 351 foot truss span does not exceed 7500 square feet symmetrically placed on the bridge or 3750 square feet un-symmetrically placed on the bridge.
4. Total combined projected area of containments installed on any 150 foot girder span does not exceed 2500 square feet.
5. Flexible containment materials will be removed at a safe wind speed not to exceed 50 mph, regardless of direction. Contractor shall continuously monitor and observe local wind conditions and forecasts. Contractor shall provide a written high wind plan describing a proposed system for removal of flexible containment materials, a proposed wind speed at which removal will commence, and a proposed method of wind speed measurement. Flexible containment materials shall not be installed on any containment until a high wind plan has been approved by the Engineer.

Projected area is defined as length parallel to roadway centerline x vertical height. Symmetrical placement of containment on spans means that the north end and south end of the span have the same square footage of containment, located the same distance from each end of the span. Working drawings submitted for containment structures shall include notes clearly defining dimensional limits and loading limits necessary to comply. Loading note shall identify the dead load of the work platforms and containment structures (in pounds per square foot), and shall identify the maximum allowable accumulations of collected debris or water (inches depth) allowed in conjunction with the number of workers allowed and the concentrated loads (in pounds) of equipment and materials that will be used within the structure.

Containment on 351 foot truss spans shall not intrude within an envelope 15 foot – 3 inches vertically above the roadway and 15 foot – 1 inch left and right of roadway centerline. Leading edge of rigid containment materials adjacent to or above traffic shall be tapered to minimize the risk of snagging by errant traffic.

Containment and work platforms shall not extend more than 10 feet below bottom of existing structure.

Flashing lights shall be placed under the containment system on all four corners of each installation in accordance with Federal regulations, marking the reduced navigational clearance. All navigation lights must be maintained in operational condition at all times during the project and shall be temporarily relocated if necessary in order to remain visible to marine traffic.

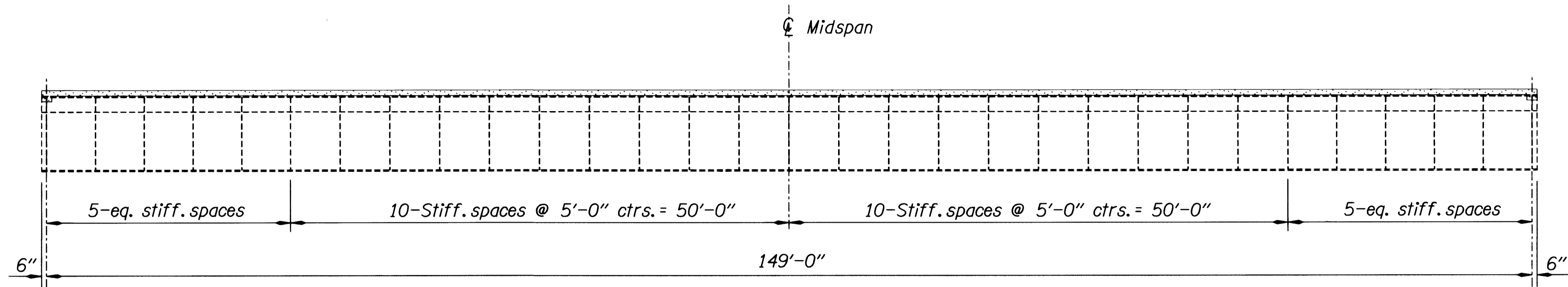
The following changes are made to the Project Plans:

1. Plan sheet 80874 is replaced with revised plan sheet 80874.

These changes will be included in the Contract for this Project. It is understood that your Bid will be submitted accordingly.

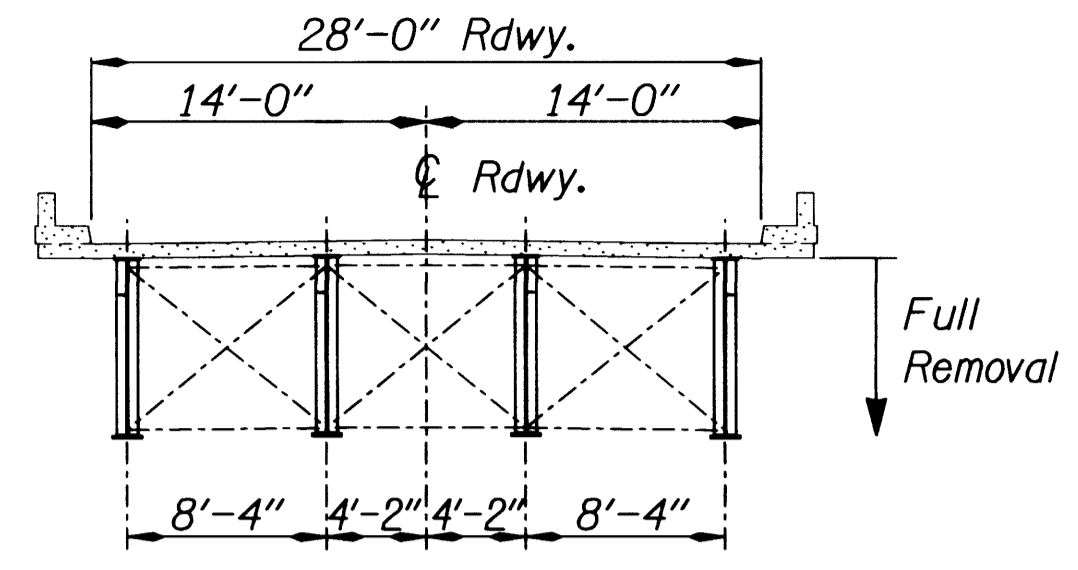
BLS:bls

Attachments: Revised Plan Sheet
State of Washington Wage Rates for Pacific County
State of Washington Davis-Bacon Wage Rates



ELEVATION - 150' STEEL GIRDER SPAN

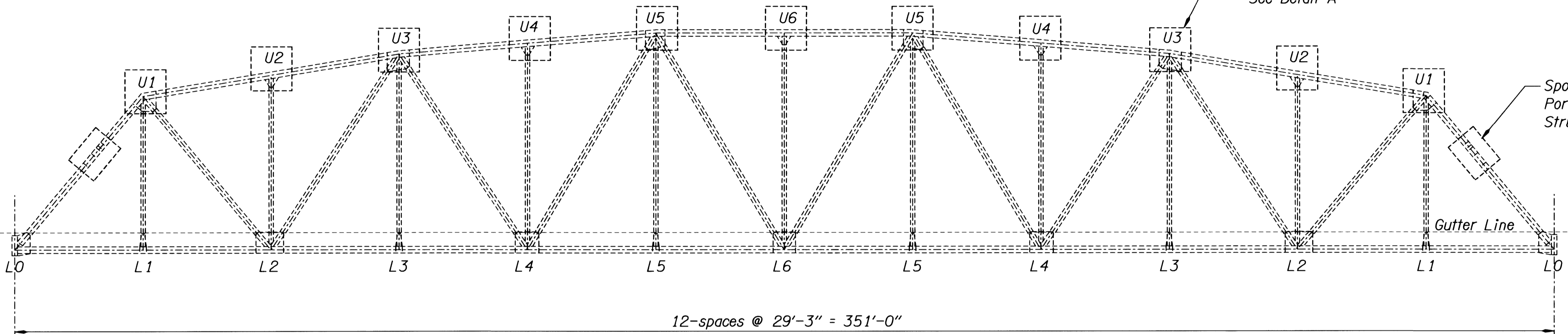
Not to Scale



DECK SECTION

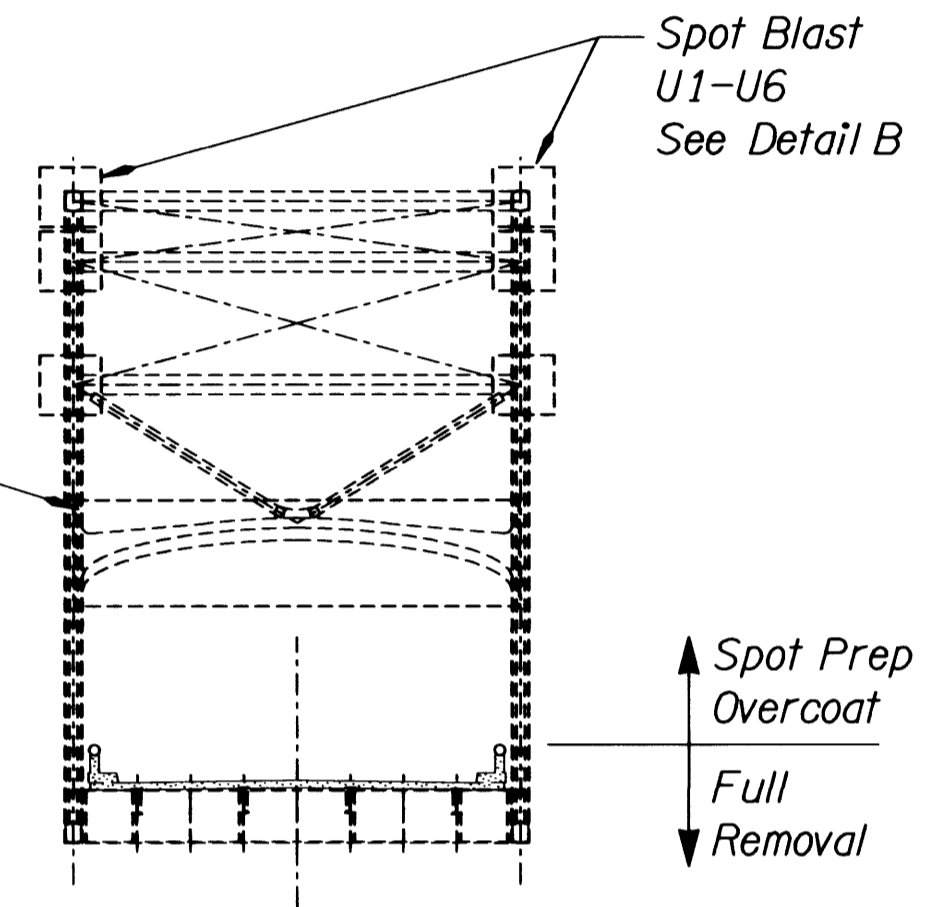
Not to Scale

NOTE:
 In addition to spot blast areas shown, as directed, spot blast may be required in other areas. Min. dimension of spot blast area 4" in any direction.



ELEVATION - 351' STEEL TRUSS SPAN

Not to Scale



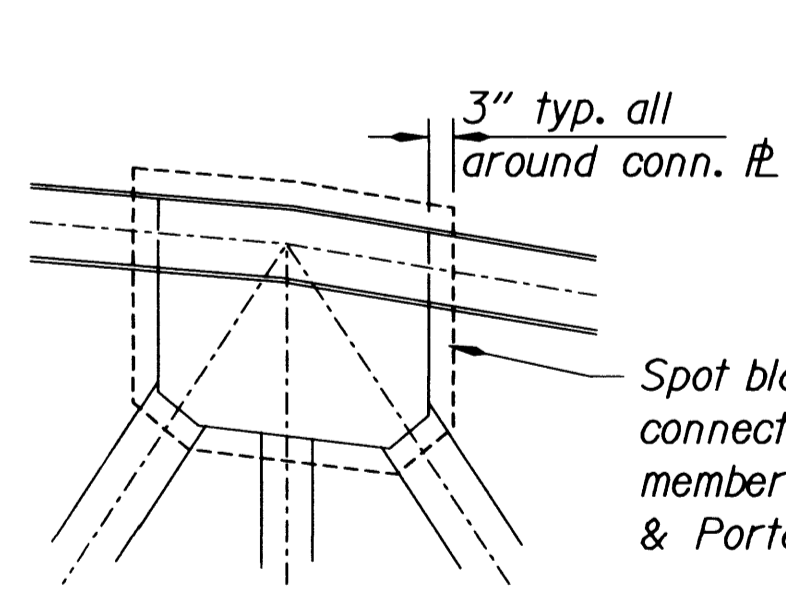
DECK SECTION

Not to Scale

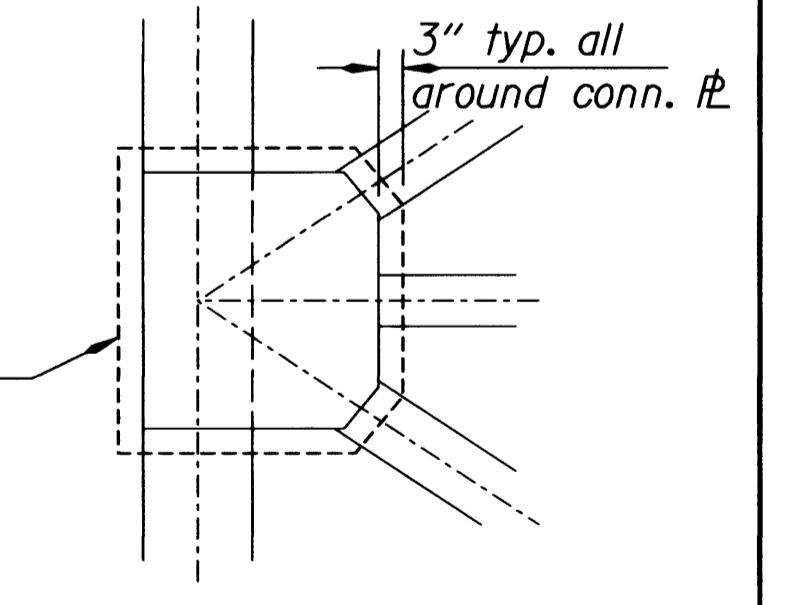
ACCESS AND CONTAINMENT NOTES:

- Classes and types of containment shall be in accordance with SSPC Guide 6 by the Society for Protective Coatings.
- 1. Total combined projected area of rigid containment materials installed on any 351 foot truss span does not exceed 2100 square feet symmetrically placed on the bridge or 1050 square feet un-symmetrically placed on the bridge.
 - 2. Total combined projected area of flexible and rigid containment materials installed on any 351 foot truss span does not exceed 7500 square feet symmetrically placed on the bridge or 3750 square feet un-symmetrically placed on the bridge.
 - 3. Total combined projected area of containments installed on any 150 foot girder span does not exceed 2500 square feet.
 - 4. Flexible containment materials will be removed at a safe wind speed not to exceed 50 mph, regardless of direction.
- Projected area is length parallel to roadway centerline x vertical height. Symmetrical placement of containment on spans means that the north end and south end of the span have the same square footage of containment, located the same distance from each end of the span.

Provide Type A1 rigid containment materials with Type C1 rigid support structure in locations adjacent to traffic.
 Provide Type A1 rigid containment floor decking. Containment & work platform shall not extend more than 10' below extg. structure.
 Provide work platforms designed to support all dead and live loads. Dead load is the self weight of containment and work platforms, live load is all personnel, equipment and materials, including collected debris, required for normal operations.
 If dead load plus live load exceeds 14 pounds per square foot of platform area, provide analysis verifying the structural adequacy of the bridge with added loading.



TYP. DETAIL A
 Not to Scale



TYP. DETAIL B
 Not to Scale

DATE: 4-21-09 REVISION: Note Change & Scale Change BY: RDB DRAFTER: Tom Ohren DESIGNER: [Signature] CHECKER: Quentin M. Smith REVIEWER: Steve Sours, B.M.T., Benjamin M. Tang ACCOMPANIED BY DWGS.: 80875		<p>BRIDGE ENGINEERING HEADQUARTERS 355 Capitol St NE, Rm 301 Salem, OR 97301-3871 (503) 986-4200</p>	STRUCTURE NO.: 07949A DATE: 9-DEC-2008 CALC. BOOK: 6054	US 101: COLUMBIA RIVER (ASTORIA) BRIDGE BRIDGE PAINTING PACIFIC COAST HWY. 9 - US 101 M.P. 0.00 ASTORIA, CLATSOP COUNTY (OREGON) AND MEGLER VACINITY, PACIFIC COUNTY (WASHINGTON)	SHEET 1 OF 2 DRAWING NO. 80874
--	--	---	---	---	-----------------------------------

State of Washington
DEPARTMENT OF LABOR AND INDUSTRIES
 Prevailing Wage Section - Telephone (360) 902-5335
 PO Box 44540, Olympia, WA 98504-4540

Washington State Prevailing Wage Rates For Public Works Contracts

The PREVAILING WAGES listed here include both the hourly wage rate and the hourly rate of fringe benefits. On public works projects, workers' wage and benefit rates must add to not less than this total. A brief description of overtime calculation requirements is provided on the Benefit Code Key.

PACIFIC COUNTY
EFFECTIVE 03-04-2009

(See Benefit Code Key)

Classification	PREVAILING WAGE	Over Time Code	Holiday Code	Note Code
ASBESTOS ABATEMENT WORKERS				
JOURNEY LEVEL	\$38.12	1H	5D	
BOILERMAKERS				
JOURNEY LEVEL	\$53.37	1C	5N	
BRICK AND MARBLE MASONS				
JOURNEY LEVEL	\$45.05	1M	5A	
CABINET MAKERS (IN SHOP)				
JOURNEY LEVEL	\$13.12	1		
CARPENTERS				
ACOUSTICAL WORKER	\$46.32	1M	5D	
BRIDGE, DOCK AND WARF CARPENTERS	\$46.16	1M	5D	
CARPENTER	\$46.16	1M	5D	
CREOSOTED MATERIAL	\$46.26	1M	5D	
DRYWALL APPLICATOR	\$46.42	1M	5D	
FLOOR FINISHER	\$46.16	1M	5D	
FLOOR LAYER	\$46.16	1M	5D	
FLOOR SANDER	\$46.16	1M	5D	
MILLWRIGHT AND MACHINE ERECTORS	\$47.16	1M	5D	
PILEDRIVERS, DRIVING, PULLING, PLACING COLLARS AND WELDING	\$46.36	1M	5D	
SAWFILER	\$46.16	1M	5D	
SHINGLER	\$46.16	1M	5D	
STATIONARY POWER SAW OPERATOR	\$46.16	1M	5D	
STATIONARY WOODWORKING TOOLS	\$46.16	1M	5D	
CEMENT MASONS				
JOURNEY LEVEL	\$35.33	1		
DIVERS & TENDERS				
DIVER	\$96.81	1M	5D	8A
DIVER ON STANDBY	\$54.19	1M	5D	
DIVER TENDER	\$49.84	1M	5D	
DREDGE WORKERS				
ASSISTANT ENGINEER	\$47.09	1T	5D	8L
ASSISTANT MATE (DECKHAND)	\$46.58	1T	5D	8L
BOATMEN	\$47.09	1T	5D	8L
ENGINEER WELDER	\$47.14	1T	5D	8L
LEVERMAN, HYDRAULIC	\$48.71	1T	5D	8L
MAINTENANCE	\$46.58	1T	5D	8L
MATES	\$47.09	1T	5D	8L
OILER	\$46.71	1T	5D	8L
DRYWALL TAPERS				
JOURNEY LEVEL	\$15.00	1		
ELECTRICAL FIXTURE MAINTENANCE WORKERS				
JOURNEY LEVEL	\$8.55	1		

PACIFIC COUNTY

EFFECTIVE 03-04-2009

(See Benefit Code Key)

Classification	PREVAILING WAGE	Over Time Code	Holiday Code	Note Code
ELECTRICIANS - INSIDE				
CABLE SPLICER	\$54.64	1G	5C	
JOURNEY LEVEL	\$50.99	1G	5C	
LEAD COVERED CABLE SPLICER	\$58.25	1G	5C	
WELDER	\$54.64	1G	5C	
ELECTRICIANS - MOTOR SHOP				
CRAFTSMAN	\$15.37	2A	6C	
JOURNEY LEVEL	\$14.69	2A	6C	
ELECTRICIANS - POWERLINE CONSTRUCTION				
CABLE SPLICER	\$58.36	4A	5A	
CERTIFIED LINE WELDER	\$53.30	4A	5A	
GROUNDPERSON	\$38.14	4A	5A	
HEAD GROUNDPERSON	\$40.25	4A	5A	
HEAVY LINE EQUIPMENT OPERATOR	\$53.30	4A	5A	
JACKHAMMER OPERATOR	\$40.25	4A	5A	
JOURNEY LEVEL LINEPERSON	\$53.30	4A	5A	
LINE EQUIPMENT OPERATOR	\$45.14	4A	5A	
POLE SPRAYER	\$53.30	4A	5A	
POWDERPERSON	\$40.25	4A	5A	
ELECTRONIC TECHNICIANS				
ELECTRONIC TECHNICIANS JOURNEY LEVEL	\$12.07	1		
ELEVATOR CONSTRUCTORS				
MECHANIC	\$64.83	4A	6Q	
MECHANIC IN CHARGE	\$70.65	4A	6Q	
FABRICATED PRECAST CONCRETE PRODUCTS				
ALL CLASSIFICATIONS	\$13.50	1		
FENCE ERECTORS				
FENCE ERECTOR	\$13.80	1		
FENCE LABORER	\$11.60	1		
FLAGGERS				
JOURNEY LEVEL	\$32.47	1H	5D	
GLAZIERS				
JOURNEY LEVEL	\$23.91	1Z	5R	
HEAT & FROST INSULATORS AND ASBESTOS WORKERS				
MECHANIC	\$48.28	1S	5J	
HEATING EQUIPMENT MECHANICS				
MECHANIC	\$18.45	1		
HOD CARRIERS & MASON TENDERS				
JOURNEY LEVEL	\$39.31	1H	5D	
INDUSTRIAL ENGINE AND MACHINE MECHANICS				
MECHANIC	\$15.65	1		
INDUSTRIAL POWER VACUUM CLEANER				
JOURNEY LEVEL	\$9.24	1		
INLAND BOATMEN				
CAPTAIN	\$48.39	1K	5B	
COOK	\$45.36	1K	5B	
DECKHAND	\$45.36	1K	5B	
ENGINEER/DECKHAND	\$46.25	1K	5B	
MATE, LAUNCH OPERATOR	\$47.35	1K	5B	
INSPECTION/CLEANING/SEALING OF SEWER & WATER SYSTEMS BY REMOTE CONTROL				
CLEANER OPERATOR, FOAMER OPERATOR	\$9.73	1		

PACIFIC COUNTY
EFFECTIVE 03-04-2009

(See Benefit Code Key)

Classification	PREVAILING WAGE	Over Time Code	Holiday Code	Note Code
GROUT TRUCK OPERATOR	\$11.48	1		
HEAD OPERATOR	\$12.78	1		
TECHNICIAN	\$8.55	1		
TV TRUCK OPERATOR	\$10.53	1		
INSULATION APPLICATORS				
JOURNEY LEVEL	\$46.16	1M	5D	
IRONWORKERS				
JOURNEY LEVEL	\$51.01	1O	5A	
LABORERS				
ASPHALT RAKER	\$39.31	1H	5D	
BALLAST REGULATOR MACHINE	\$38.12	1H	5D	
BATCH WEIGHMAN	\$32.47	1H	5D	
BRUSH CUTTER	\$38.12	1H	5D	
BRUSH HOG FEEDER	\$38.12	1H	5D	
BURNERS	\$38.12	1H	5D	
CARPENTER TENDER	\$38.12	1H	5D	
CASSION WORKER	\$39.31	1H	5D	
CEMENT DUMPER/PAVING	\$38.83	1H	5D	
CEMENT FINISHER TENDER	\$38.12	1H	5D	
CHANGE-HOUSE MAN OR DRY SHACKMAN	\$38.12	1H	5D	
CHIPPING GUN (OVER 30 LBS)	\$38.83	1H	5D	
CHIPPING GUN (UNDER 30 LBS)	\$38.12	1H	5D	
CHOKER SETTER	\$38.12	1H	5D	
CHUCK TENDER	\$38.12	1H	5D	
CLEAN-UP LABORER	\$38.12	1H	5D	
CONCRETE DUMPER/CHUTE OPERATOR	\$38.83	1H	5D	
CONCRETE FORM STRIPPER	\$38.12	1H	5D	
CONCRETE SAW OPERATOR	\$38.83	1H	5D	
CRUSHER FEEDER	\$32.47	1H	5D	
CURING LABORER	\$38.12	1H	5D	
DEMOLITION, WRECKING & MOVING (INCLUDING CHARRED MATERIALS)	\$38.12	1H	5D	
DITCH DIGGER	\$38.12	1H	5D	
DIVER	\$39.31	1H	5D	
DRILL OPERATOR (HYDRAULIC, DIAMOND)	\$38.83	1H	5D	
DRILL OPERATOR, AIRTRAC	\$39.31	1H	5D	
DUMPMAN	\$38.12	1H	5D	
EPOXY TECHNICIAN	\$38.12	1H	5D	
EROSION CONTROL WORKER	\$38.12	1H	5D	
FALLER/BUCKER, CHAIN SAW	\$38.83	1H	5D	
FINAL DETAIL CLEANUP (i.e., dusting, vacuuming, window cleaning; NOT construction debris cleanup)	\$29.65	1H	5D	
FINE GRADERS	\$38.12	1H	5D	
FIRE WATCH	\$32.47	1H	5D	
FORM SETTER	\$38.12	1H	5D	
GABION BASKET BUILDER	\$38.12	1H	5D	
GENERAL LABORER	\$38.12	1H	5D	
GRADE CHECKER & TRANSIT PERSON	\$39.31	1H	5D	
GRINDERS	\$38.12	1H	5D	
GROUT MACHINE TENDER	\$38.12	1H	5D	
GUARDRAIL ERECTOR	\$38.12	1H	5D	
HAZARDOUS WASTE WORKER LEVEL A	\$39.31	1H	5D	
HAZARDOUS WASTE WORKER LEVEL B	\$38.83	1H	5D	

PACIFIC COUNTY

EFFECTIVE 03-04-2009

(See Benefit Code Key)

Classification	PREVAILING WAGE	Over Time Code	Holiday Code	Note Code
HAZARDOUS WASTE WORKER LEVEL C	\$38.12	1H	5D	
HIGH SCALER	\$39.31	1H	5D	
HOD CARRIER/MORTARMAN	\$39.31	1H	5D	
JACKHAMMER	\$38.83	1H	5D	
LASER BEAM OPERATOR	\$38.83	1H	5D	
MANHOLE BUILDER-MUDMAN	\$38.83	1H	5D	
MATERIAL YARDMAN	\$38.12	1H	5D	
MINER	\$39.31	1H	5D	
NOZZLEMAN, CONCRETE PUMP, GREEN CUTTER WHEN USING HIGH PRESSURE AIR & WATER ON CONCRETE & ROCK, SANDBLAST, GUNITE, SHOTCRETE, WATER BLASTER	\$38.83	1H	5D	
PAVEMENT BREAKER	\$38.83	1H	5D	
PILOT CAR	\$32.47	1H	5D	
PIPE POT TENDER	\$38.83	1H	5D	
PIPE RELINER (NOT INSERT TYPE)	\$38.83	1H	5D	
PIPELAYER & CAULKER	\$38.83	1H	5D	
PIPELAYER & CAULKER (LEAD)	\$39.31	1H	5D	
PIPEWRAPPER	\$38.83	1H	5D	
POT TENDER	\$38.12	1H	5D	
POWDERMAN	\$39.31	1H	5D	
POWDERMAN HELPER	\$38.12	1H	5D	
POWERJACKS	\$38.83	1H	5D	
RAILROAD SPIKE PULLER (POWER)	\$38.83	1H	5D	
RE-TIMBERMAN	\$39.31	1H	5D	
RIPRAP MAN	\$38.12	1H	5D	
RODDER	\$38.83	1H	5D	
SCAFFOLD ERECTOR	\$38.12	1H	5D	
SCALE PERSON	\$38.12	1H	5D	
SIGNALMAN	\$38.12	1H	5D	
SLOPER (OVER 20")	\$38.83	1H	5D	
SLOPER SPRAYMAN	\$38.12	1H	5D	
SPREADER (CLARY POWER OR SIMILAR TYPES)	\$38.83	1H	5D	
SPREADER (CONCRETE)	\$38.83	1H	5D	
STAKE HOPPER	\$38.12	1H	5D	
STOCKPILER	\$38.12	1H	5D	
TAMPER & SIMILAR ELECTRIC, AIR & GAS	\$38.83	1H	5D	
TAMPER (MULTIPLE & SELF PROPELLED)	\$38.83	1H	5D	
TOOLROOM MAN (AT JOB SITE)	\$38.12	1H	5D	
TOPPER-TAILER	\$38.12	1H	5D	
TRACK LABORER	\$38.12	1H	5D	
TRACK LINER (POWER)	\$38.83	1H	5D	
TRUCK SPOTTER	\$38.12	1H	5D	
TUGGER OPERATOR	\$38.83	1H	5D	
VIBRATING SCREED (AIR, GAS, OR ELECTRIC)	\$38.12	1H	5D	
VIBRATOR	\$38.83	1H	5D	
VINYL SEAMER	\$38.12	1H	5D	
WELDER	\$38.12	1H	5D	
WELL-POINT LABORER	\$38.83	1H	5D	
LABORERS - UNDERGROUND SEWER & WATER				
GENERAL LABORER	\$38.12	1H	5D	
PIPE LAYER	\$38.83	1H	5D	

PACIFIC COUNTY
EFFECTIVE 03-04-2009

(See Benefit Code Key)

Classification	PREVAILING WAGE	Over Time Code	Holiday Code	Note Code
LANDSCAPE CONSTRUCTION				
IRRIGATION OR LAWN SPRINKLER INSTALLERS	\$11.42	1		
LANDSCAPE EQUIPMENT OPERATORS OR TRUCK DRIVERS	\$8.55	1		
LANDSCAPING OR PLANTING LABORERS	\$8.55	1		
LATHERS				
JOURNEY LEVEL	\$46.42	1M	5D	
METAL FABRICATION (IN SHOP)				
FITTER/WELDER	\$15.16	1		
LABORER	\$11.13	1		
MACHINE OPERATOR	\$10.66	1		
PAINTER	\$11.41	1		
MODULAR BUILDINGS				
CABINET ASSEMBLY	\$9.98	1		
ELECTRICIAN	\$9.98	1		
EQUIPMENT MAINTENANCE	\$9.98	1		
PLUMBER	\$9.98	1		
PRODUCTION WORKER	\$9.75	1		
TOOL MAINTENANCE	\$9.98	1		
UTILITY PERSON	\$9.98	1		
WELDER	\$9.98	1		
PAINTERS				
JOURNEY LEVEL	\$34.87	2B	6Z	
PLASTERERS				
JOURNEY LEVEL	\$44.83	1R	5B	
PLAYGROUND & PARK EQUIPMENT INSTALLERS				
JOURNEY LEVEL	\$8.55	1		
PLUMBERS & PIPEFITTERS				
JOURNEY LEVEL	\$19.11	1		
POWER EQUIPMENT OPERATORS				
ASSISTANT ENGINEERS	\$44.64	1T	5D	8P
BACKHOE, EXCAVATOR SHOVEL, OVER 50 METRIC TONS TO 90 METRIC TONS	\$48.46	1T	5D	8P
BACKHOE, EXCAVATOR SHOVEL, OVER 90 METRIC TONS	\$49.03	1T	5D	8P
BACKHOE, EXCAVATOR, SHOVEL, OVER 30 METRIC TONS TO 50 METRIC TONS	\$47.91	1T	5D	8P
BACKHOE, EXCAVATOR, SHOVEL, TRACTORS UNDER 15 METRIC TONS	\$47.00	1T	5D	8P
BACKHOE, EXCAVATOR, SHOVEL, TRACTORS: 15 TO 30 METRIC TONS	\$47.42	1T	5D	8P
BARRIER MACHINE (ZIPPER)	\$47.42	1T	5D	8P
BATCH PLANT OPERATOR, CONCRETE	\$47.42	1T	5D	8P
BELT LOADERS (ELEVATING TYPE)	\$47.00	1T	5D	8P
BOBCAT (SKID STEER)	\$44.64	1T	5D	8P
BROKK-REMOTE DEMOLITION EQUIPMENT	\$44.64	1T	5D	8P
BROOMS	\$44.64	1T	5D	8P
BUMP CUTTER	\$47.42	1T	5D	8P
CABLEWAYS	\$47.91	1T	5D	8P
CHIPPER	\$47.42	1T	5D	8P
COMPRESSORS	\$44.64	1T	5D	8P
CONCRETE FINISH MACHINE - LASER SCREED	\$44.64	1T	5D	8P
CONCRETE PUMPS	\$47.00	1T	5D	8P
CONCRETE PUMP-TRUCK MOUNT WITH BOOM ATTACHMENT	\$47.42	1T	5D	8P
CONVEYORS	\$47.00	1T	5D	8P
CRANE, FRICTION 100 TONS THROUGH 199 TONS	\$49.03	1T	5D	8P

PACIFIC COUNTY
EFFECTIVE 03-04-2009

(See Benefit Code Key)

Classification	PREVAILING WAGE	Over		
		Time Code	Holiday Code	Note Code
CRANE, FRICTION OVER 200 TONS	\$49.59	1T	5D	8P
CRANES, THRU 19 TONS, WITH ATTACHMENTS	\$47.00	1T	5D	8P
CRANES, 20 - 44 TONS, WITH ATTACHMENTS	\$47.42	1T	5D	8P
CRANES, 45 TONS - 99 TONS, UNDER 150 FT OF BOOM (INCLUDING JIB WITH ATTACHMENTS)	\$47.91	1T	5D	8P
CRANES, 100 TONS - 199 TONS, OR 150 FT OF BOOM (INCLUDING JIB WITH ATTACHMENTS)	\$48.46	1T	5D	8P
CRANES, 200 TONS TO 300 TONS, OR 250 FT OF BOOM (INCLUDING JIB WITH ATTACHMENTS)	\$49.03	1T	5D	8P
CRANES, A-FRAME, 10 TON AND UNDER	\$44.64	1T	5D	8P
CRANES, A-FRAME, OVER 10 TON	\$47.00	1T	5D	8P
CRANES, OVER 300 TONS, OR 300' OF BOOM INCLUDING JIB WITH ATTACHMENTS	\$49.59	1T	5D	8P
CRANES, OVERHEAD, BRIDGE TYPE (20 - 44 TONS)	\$47.42	1T	5D	8P
CRANES, OVERHEAD, BRIDGE TYPE (45 - 99 TONS)	\$47.91	1T	5D	8P
CRANES, OVERHEAD, BRIDGE TYPE (100 TONS & OVER)	\$48.46	1T	5D	8P
CRANES, TOWER CRANE UP TO 175' IN HEIGHT, BASE TO BOOM	\$48.46	1T	5D	8P
CRANES, TOWER CRANE OVER 175' IN HEIGHT, BASE TO BOOM	\$49.03	1T	5D	8P
CRUSHERS	\$47.42	1T	5D	8P
DECK ENGINEER/DECK WINCHES (POWER)	\$47.42	1T	5D	8P
DERRICK, BUILDING	\$47.91	1T	5D	8P
DOZERS, D-9 & UNDER	\$47.00	1T	5D	8P
DRILL OILERS - AUGER TYPE, TRUCK OR CRANE MOUNT	\$47.00	1T	5D	8P
DRILLING MACHINE	\$47.42	1T	5D	8P
ELEVATOR AND MANLIFT, PERMANENT AND SHAFT-TYPE	\$44.64	1T	5D	8P
EQUIPMENT SERVICE ENGINEER (OILER)	\$47.00	1T	5D	8P
FINISHING MACHINE/BIDWELL GAMACO AND SIMILAR EQUIP	\$47.42	1T	5D	8P
FORK LIFTS, (3000 LBS AND OVER)	\$47.00	1T	5D	8P
FORK LIFTS, (UNDER 3000 LBS)	\$44.64	1T	5D	8P
GRADE ENGINEER	\$47.00	1T	5D	8P
GRADECHECKER AND STAKEMAN	\$44.64	1T	5D	8P
GUARDRAIL PUNCH	\$47.42	1T	5D	8P
HOISTS, OUTSIDE (ELEVATORS AND MANLIFTS), AIR TUGGERS	\$47.00	1T	5D	8P
HORIZONTAL/DIRECTIONAL DRILL LOCATOR	\$47.00	1T	5D	8P
HORIZONTAL/DIRECTIONAL DRILL OPERATOR	\$47.42	1T	5D	8P
HYDRALIFTS/BOOM TRUCKS (10 TON & UNDER)	\$44.64	1T	5D	8P
HYDRALIFTS/BOOM TRUCKS (OVER 10 TON)	\$47.00	1T	5D	8P
LOADERS, OVERHEAD (6 YD UP TO 8 YD)	\$47.91	1T	5D	8P
LOADERS, OVERHEAD (8 YD & OVER)	\$48.46	1T	5D	8P
LOADERS, OVERHEAD (UNDER 6 YD), PLANT FEED	\$47.42	1T	5D	8P
LOCOMOTIVES, ALL	\$47.42	1T	5D	8P
MECHANICS, ALL	\$48.46	1T	5D	8P
MIXERS, ASPHALT PLANT	\$47.42	1T	5D	8P
MOTOR PATROL GRADER (FINISHING)	\$47.91	1T	5D	8P
MOTOR PATROL GRADER (NON-FINISHING)	\$47.00	1T	5D	8P
MUCKING MACHINE, MOLE, TUNNEL DRILL AND/OR SHIELD	\$47.91	1T	5D	8P
OIL DISTRIBUTORS, BLOWER DISTRIBUTION AND MULCH SEEDING OPERATOR	\$44.64	1T	5D	8P
PAVEMENT BREAKER	\$44.64	1T	5D	8P
PILEDRIIVER (OTHER THAN CRANE MOUNT)	\$47.42	1T	5D	8P
PLANT OILER (ASPHALT, CRUSHER)	\$47.00	1T	5D	8P
POSTHOLE DIGGER, MECHANICAL	\$44.64	1T	5D	8P
POWER PLANT	\$44.64	1T	5D	8P

PACIFIC COUNTY

EFFECTIVE 03-04-2009

(See Benefit Code Key)

Classification	PREVAILING WAGE	Over Time Code	Holiday Code	Note Code
PUMPS, WATER	\$44.64	1T	5D	8P
QUAD 9, D-10, AND HD-41	\$47.91	1T	5D	8P
QUICK TOWER-NO CAB, UNDER 100 FEET IN HEIGHT BASED TO BOOM	\$44.64	1T	5D	8P
REMOTE CONTROL OPERATOR ON RUBBER TIRED EARTH MOVING EQUIP	\$47.91	1T	5D	8P
RIGGER AND BELLMAN	\$44.64	1T	5D	8P
ROLLAGON	\$47.91	1T	5D	8P
ROLLER, OTHER THAN PLANT ROAD MIX	\$44.64	1T	5D	8P
ROLLERS, PLANTMIX OR MULTILIFT MATERIALS	\$47.00	1T	5D	8P
ROTO-MILL, ROTO-GRINDER	\$47.42	1T	5D	8P
SAWS, CONCRETE	\$47.00	1T	5D	8P
SCRAPERS - SELF PROPELLED, HARD TAIL END DUMP, ARTICULATING OFF-ROAD EQUIPMENT (45 YD AND OVER)	\$47.91	1T	5D	8P
SCRAPERS, CONCRETE AND CARRY ALL	\$47.00	1T	5D	8P
SCREED MAN	\$47.91	1T	5D	8P
SHOTCRETE GUNITE	\$44.64	1T	5D	8P
SLIPFORM PAVERS	\$47.91	1T	5D	8P
SPREADER, TOPSIDER & SCREEDMAN	\$47.91	1T	5D	8P
SUBGRADE TRIMMER	\$47.42	1T	5D	8P
TOWER BUCKET ELEVATORS	\$47.00	1T	5D	8P
TRACTORS, (75 HP & UNDER)	\$47.00	1T	5D	8P
TRACTORS, (OVER 75 HP)	\$47.42	1T	5D	8P
TRANSFER MATERIAL SERVICE MACHINE	\$47.42	1T	5D	8P
TRANSPORTERS, ALL TRACK OR TRUCK TYPE	\$47.91	1T	5D	8P
TRENCHING MACHINES	\$47.00	1T	5D	8P
TRUCK CRANE OILER/DRIVER (UNDER 100 TON)	\$47.00	1T	5D	8P
TRUCK CRANE OILER/DRIVER (100 TON & OVER)	\$47.42	1T	5D	8P
TRUCK MOUNT PORTABLE CONVEYER	\$47.42	1T	5D	8P
WHEEL TRACTORS, FARMALL TYPE	\$44.64	1T	5D	8P
YO YO PAY DOZER	\$47.42	1T	5D	8P
POWER EQUIPMENT OPERATORS- UNDERGROUND SEWER & WATER				
(SEE POWER EQUIPMENT OPERATORS)				
POWER LINE CLEARANCE TREE TRIMMERS				
JOURNEY LEVEL IN CHARGE	\$39.29	4A	5A	
SPRAY PERSON	\$37.21	4A	5A	
TREE EQUIPMENT OPERATOR	\$37.81	4A	5A	
TREE TRIMMER	\$35.18	4A	5A	
TREE TRIMMER GROUNDPERSON	\$26.55	4A	5A	
REFRIGERATION & AIR CONDITIONING MECHANICS				
MECHANIC	\$53.36	1G	5A	
RESIDENTIAL BRICK & MARBLE MASONS				
JOURNEY LEVEL	\$17.82	1		
RESIDENTIAL CARPENTERS				
JOURNEY LEVEL	\$12.93	1		
RESIDENTIAL CEMENT MASONS				
JOURNEY LEVEL	\$25.55	1		
RESIDENTIAL DRYWALL TAPERS				
JOURNEY LEVEL	\$10.02	1		
RESIDENTIAL ELECTRICIANS				
JOURNEY LEVEL	\$26.88	1B	5A	
RESIDENTIAL GLAZIERS				
JOURNEY LEVEL	\$10.72	1		

PACIFIC COUNTY

EFFECTIVE 03-04-2009

(See Benefit Code Key)

Classification	PREVAILING WAGE	Over Time Code	Holiday Code	Note Code
RESIDENTIAL INSULATION APPLICATORS				
JOURNEY LEVEL	\$8.55	1		
RESIDENTIAL LABORERS				
JOURNEY LEVEL	\$8.55	1		
RESIDENTIAL PAINTERS				
JOURNEY LEVEL	\$9.79	1		
RESIDENTIAL PLUMBERS & PIPEFITTERS				
JOURNEY LEVEL	\$14.87	1		
RESIDENTIAL SHEET METAL WORKERS				
JOURNEY LEVEL (FIELD OR SHOP)	\$34.14	1I	6L	
RESIDENTIAL SOFT FLOOR LAYERS				
JOURNEY LEVEL	\$10.88	1		
ROOFERS				
JOURNEY LEVEL	\$12.00	1		
SHEET METAL WORKERS				
JOURNEY LEVEL (FIELD OR SHOP)	\$55.27	1E	6L	
SIGN MAKERS & INSTALLERS (ELECTRICAL)				
JOURNEY LEVEL	\$18.04	1		
SIGN MAKERS & INSTALLERS (NON-ELECTRICAL)				
JOURNEY LEVEL	\$18.04	1		
SOFT FLOOR LAYERS				
JOURNEY LEVEL	\$10.88	1		
SOLAR CONTROLS FOR WINDOWS				
JOURNEY LEVEL	\$10.31	1B	5O	
SPRINKLER FITTERS (FIRE PROTECTION)				
JOURNEY LEVEL	\$34.70	1		
STAGE RIGGING MECHANICS (NON STRUCTURAL)				
JOURNEY LEVEL	\$13.23	1		
SURVEYORS				
CHAIN PERSON	\$9.35	1		
INSTRUMENT PERSON	\$11.40	1		
PARTY CHIEF	\$13.40	1		
TELECOMMUNICATION TECHNICIANS				
TELECOMMUNICATION TECHNICIANS JOURNEY LEVEL	\$12.07	1		
TELEPHONE LINE CONSTRUCTION - OUTSIDE				
CABLE SPLICER	\$31.46	2B	5A	
HOLE DIGGER/GROUND PERSON	\$17.58	2B	5A	
INSTALLER (REPAIRER)	\$30.17	2B	5A	
JOURNEY LEVEL TELEPHONE LINEPERSON	\$29.26	2B	5A	
SPECIAL APPARATUS INSTALLER I	\$31.46	2B	5A	
SPECIAL APPARATUS INSTALLER II	\$30.82	2B	5A	
TELEPHONE EQUIPMENT OPERATOR (HEAVY)	\$31.46	2B	5A	
TELEPHONE EQUIPMENT OPERATOR (LIGHT)	\$29.26	2B	5A	
TELEVISION GROUND PERSON	\$16.67	2B	5A	
TELEVISION LINEPERSON/INSTALLER	\$22.19	2B	5A	
TELEVISION SYSTEM TECHNICIAN	\$26.42	2B	5A	
TELEVISION TECHNICIAN	\$23.76	2B	5A	
TREE TRIMMER	\$29.26	2B	5A	
TERRAZZO WORKERS & TILE SETTERS				
JOURNEY LEVEL	\$43.61	1M	5A	
TILE, MARBLE & TERRAZZO FINISHERS				
FINISHER	\$37.44	1B	5A	

PACIFIC COUNTY
EFFECTIVE 03-04-2009

(See Benefit Code Key)

Classification	PREVAILING WAGE	Over Time Code	Holiday Code	Note Code
TRAFFIC CONTROL STRIPERS				
JOURNEY LEVEL	\$38.07	1K	5A	
TRUCK DRIVERS				
ASPHALT MIX (TO 16 YARDS)	\$43.45	1T	5D	8L
ASPHALT MIX (OVER 16 YARDS)	\$44.25	1T	5D	8L
DUMP TRUCK	\$17.98	1		
DUMP TRUCK & TRAILER	\$17.98	1		
OTHER TRUCKS	\$21.54	1		
TRANSIT MIXER	\$14.47	1		
WELL DRILLERS & IRRIGATION PUMP INSTALLERS				
IRRIGATION PUMP INSTALLER	\$11.60	1		
OILER	\$9.45	1		
WELL DRILLER	\$11.60	1		

State of Washington
Department of Labor and Industries
Prevailing Wage Section - Telephone (360) 902-5335
PO Box 44540, Olympia, WA 98504-4540

Washington State Prevailing Wage

The PREVAILING WAGES listed here include both the hourly wage rate and the hourly rate of fringe benefits. On public works projects, workers' wage and benefit rates must add to not less than this total. A brief description of overtime calculation requirements is provided on the Benefit Code Key.

PREVAILING WAGE RATE CORRECTION

**POWER EQUIPMENT OPERATORS
JOURNEY LEVEL**

WAGE UPDATE PERIOD OF 03-04-2009
CORRECTION PUBLISHED ON 03-25-2009
CORRECTED RATE WILL BE EFFECTIVE ON 04-24-2009

Corrected Rate Compared to the Incorrect Rate Previously Published.

COUNTIES COVERED:

CHELAN, CLALLAM, DOUGLAS, GRAYS HARBOR, ISLAND, JEFFERSON, KING, KITSAP,
KITTITAS, LEWIS, MASON, PACIFIC, PIERCE, SKAGIT, SNOHOMISH, THURSTON,
WHATCOM AND YAKIMA

Classification	Corrected Rate	Incorrect Rate
SCREED MAN	\$47.91	\$47.42

State of Washington
Department of Labor and Industries
Prevailing Wage Section - Telephone (360) 902-5335
PO Box 44540, Olympia, WA 98504-4540

Washington State Prevailing Wage

The PREVAILING WAGES listed here include both the hourly wage rate and the hourly rate of fringe benefits. On public works projects, workers' wage and benefit rates must add to not less than this total. A brief description of overtime calculation requirements is provided on the Benefit Code Key.

PREVAILING WAGE RATE CORRECTION

**POWER EQUIPMENT OPERATORS
JOURNEY LEVEL**

WAGE UPDATE PERIOD OF 03-04-2009
CORRECTION PUBLISHED ON 02-18-2009
CORRECTED RATE WILL BE EFFECTIVE ON 03-20-2009

Corrected Rate Compared to the Incorrect Rate Previously Published.

COUNTIES COVERED:

CHELAN, CLALLAM, DOUGLAS, GRAYS HARBOR, ISLAND, JEFFERSON, KING, KITSAP,
KITTITAS, LEWIS, MASON, PACIFIC, PIERCE, SKAGIT, SNOHOMISH, THURSTON,
WHATCOM AND YAKIMA

Classification	Corrected Rate	Incorrect Rate
CRANE, FRICTION OVER 200 TONS	\$49.59	\$48.29
CRANES, OVER 300 TONS, OR 300' OF BOOM INCLUDING JIB WITH ATTACHMENTS	\$49.59	\$48.29

```
<!DOCTYPE HTML PUBLIC "-//W3C//DTD HTML 4.0 Transitional//EN">
<!-- saved from url=(0052)http://www.wdol.gov/wdol/scafiles/davisbacon/WA1.dvb -->
<HTML><HEAD>
<META http-equiv=Content-Type content="text/html; charset=windows-1252">
<META content="MSHTML 6.00.2900.3527" name=GENERATOR></HEAD>
<BODY><PRE>General Decision Number: WA080001 03/20/2009 WA1
```

Superseded General Decision Number: WA20070001

State: Washington

Construction Types: Heavy (Heavy and Dredging) and Highway

Counties: Washington Statewide.

HEAVY AND HIGHWAY AND DREDGING CONSTRUCTION PROJECTS (Excludes D.O.E. Hanford Site in Benton and Franklin Counties)

Modification Number	Publication Date
0	02/08/2008
1	02/15/2008
2	02/22/2008
3	04/04/2008
4	04/25/2008
5	05/09/2008
6	06/06/2008
7	06/13/2008
8	06/20/2008
9	06/27/2008
10	07/11/2008
11	07/25/2008
12	08/01/2008
13	08/08/2008
14	08/29/2008
15	09/05/2008
16	09/19/2008
17	10/03/2008
18	10/24/2008
19	10/31/2008
20	11/21/2008
21	01/02/2009
22	02/06/2009
23	02/27/2009
24	03/06/2009
25	03/20/2009

CARP0001-008 06/01/2007

Rates Fringes

Carpenters:

COLUMBIA RIVER AREA -
 ADAMS, BENTON, COLUMBIA,
 DOUGLAS (EAST OF THE 120TH
 MERIDIAN), FERRY,
 FRANKLIN, GRANT, OKANOGAN
 (EAST OF THE 120TH
 MERIDIAN) AND WALLA WALLA
 COUNTIES

GROUP 1:.....	\$ 25.68	9.30
GROUP 2:.....	\$ 27.18	9.30
GROUP 3:.....	\$ 25.95	9.30
GROUP 4:.....	\$ 25.68	9.30
GROUP 5:.....	\$ 59.40	9.30
GROUP 6.....	\$ 28.70	9.30
GROUP 7.....	\$ 29.70	9.30
GROUP 8.....	\$ 26.95	9.30
GROUP 9.....	\$ 32.70	9.30

SPOKANE AREA: ASOTIN,
 GARFIELD, LINCOLN, PEND
 OREILLE, SPOKANE, STEVENS
 AND WHITMAN COUNTIES

GROUP 1:.....	\$ 25.01	9.30
GROUP 2:.....	\$ 26.51	9.30
GROUP 3:.....	\$ 25.27	9.30
GROUP 4:.....	\$ 25.01	9.30
GROUP 5:.....	\$ 58.04	9.30
GROUP 6:.....	\$ 28.02	9.30
GROUP 7.....	\$ 29.02	9.30
GROUP 8.....	\$ 26.27	9.30
GROUP 9.....	\$ 32.02	9.30

CARPENTER & DIVER CLASSIFICATIONS:

GROUP 1: Carpenter; Burner-Welder; Rigger and Signaler;
 Insulators (all types), Acoustical, Drywall and Metal
 Studs, Metal Panels and Partitions; Floor Layer, Sander,
 Finisher and Astro Turf; Layout Carpenters; Form Builder;
 Rough Framers; Outside or Inside Finisher, including doors,
 windows, and jams; Sawfiler; Shingler (wood, composition)
 Solar, Fiberglass, Aluminum or Metal; Scaffold Erecting and
 Dismantling; Stationary Saw-Off Bearer; Wire, Wood and
 Metal Lather Applicator

GROUP 2: Millwright, machine erector

GROUP 3: Piledriver - includes driving, pulling, cutting,
 placing collars, setting, welding, or creosote treated
 material, on all piling

GROUP 4: Bridge, dock and wharf carpenters

GROUP 5: Diver Wet

GROUP 6: Diver Tender, Manifold Operator, ROV Operator

GROUP 7: Diver Standby, Bell/Vehicle or Submersible operator
Not Under Pressure

GROUP 8: Assistant Tender, ROV Tender/Technician

GROUP 9: Manifold Operator-Mixed Gas

ZONE PAY:

ZONE 1	0-40 MILES	FREE
ZONE 2	41-65 MILES	\$2.25/PER HOUR
ZONE 3	66-100 MILES	\$3.25/PER HOUR
ZONE 4	OVER 100 MILES	\$4.75/PER HOUR

DISPATCH POINTS:

CARPENTERS/MILLWRIGHTS: PASCO (2819 W. SYLVESTER) or Main Post Office of established residence of employee (Whichever is closest to the worksite).

CARPENTERS/PILEDRIIVER: SPOKANE (127 E. AUGUSTA AVE.) or Main Post Office of established residence of employee (Whichever is closest to the worksite).

CARPENTERS: WENATCHEE (27 N. CHELAN) or Main Post Office of established residence of employee (Whichever is closest to the worksite).

CARPENTERS: COEUR D' ALENE (1839 N. GOVERNMENT WAY) or Main Post Office of established residence of employee (Whichever is closest to the worksite).

CARPENTERS: MOSCOW (302 N. JACKSON) or Main Post Office of established residence of employee (Whichever is closest to the worksite).

DEPTH PAY FOR DIVERS BELOW WATER SURFACE:

50-100 feet \$2.00 per foot
101-150 feet \$3.00 per foot
151-220 feet \$4.00 per foot
221 feet and deeper \$5.00 per foot

PREMIUM PAY FOR DIVING IN ENCLOSURES WITH NO VERTICAL ASCENT:

0-25 feet Free
26-300 feet \$1.00 per Foot

SATURATION DIVING:

The standby rate applies until saturation starts. The saturation diving rate applies when divers are under pressure continuously until work task and decompression are complete. the diver rate shall be paid for all saturation hours.

WORK IN COMBINATION OF CLASSIFICATIONS:

Employees working in any combination of classifications within the diving crew (except dive supervisor) in a shift are paid in the classification with the highest rate for that shift.

HAZMAT PROJECTS:

Anyone working on a HAZMAT job (task), where HAZMAT certification is required, shall be compensated at a premium, in addition to the classification working in as follows:

LEVEL D + \$.25 per hour - This is the lowest level of protection. No respirator is used and skin protection is minimal.

LEVEL C + \$.50 per hour - This level uses an air purifying respirator or additional protective clothing.

LEVEL B + \$.75 per hour - Uses same respirator protection as Level A. Supplied air line is provided in conjunction with a chemical "splash suit".

LEVEL A +\$1.00 per hour - This level utilizes a fully encapsulated suit with a self-contained breathing apparatus or a supplied air line.

CARP0003-006 06/01/2007

SOUTHWEST WASHINGTON: CLARK, COWLITZ, KLICKITAT, LEWIS(Piledriver only), PACIFIC (South of a straight line made by extending the north boundary line of Wahkiakum County west to Willapa Bay to the Pacific Ocean), SKAMANIA AND WAHKIAKUM COUNTIES and INCLUDES THE ENTIRE PENINSULA WEST OF WILLAPA BAY

SEE ZONE DESCRIPTION FOR CITIES BASE POINTS

ZONE 1:

Rates Fringes

Carpenters:

CARPENTERS; ACOUSTICAL.....	\$ 27.56	13.30
DIVERS TENDERS.....	\$ 30.28	13.30
DIVERS.....	\$ 68.84	13.30
DRYWALL.....	\$ 27.56	13.30
FLOOR LAYERS & FLOOR FINISHERS (the laying of all hardwood floors nailed and mastic set, parquet and wood-type tiles, and block floors, the sanding and finishing of floors,		

the preparation of old and new floors when the materials mentioned above are to be installed);

INSULATORS (fiberglass and similar irritating materials.....\$ 27.71 13.30
MILLWRIGHTS.....\$ 28.04 13.30
PILEDRIVERS.....\$ 28.04 13.30

DEPTH PAY:

50 TO 100 FEET \$1.00 PER FOOT OVER 50 FEET
101 TO 150 FEET \$1.50 PER FOOT OVER 101 FEET
151 TO 200 FEET \$2.00 PER FOOT OVER 151 FEET

Zone Differential (Add up Zone 1 rates):

Zone 2 - \$0.85
Zone 3 - 1.25
Zone 4 - 1.70
Zone 5 - 2.00
Zone 6 - 3.00

BASEPOINTS: ASTORIA, LONGVIEW, PORTLAND, THE DALLES, AND VANCOUVER, (NOTE: All dispatches for Washington State Counties: Cowlitz, Wahkiakum and Pacific shall be from Longview Local #1707 and mileage shall be computed from that point.)

ZONE 1: Projects located within 30 miles of the respective city hall of the above mentioned cities
ZONE 2: Projects located more than 30 miles and less than 40 miles of the respective city of the above mentioned cities
ZONE 3: Projects located more than 40 miles and less than 50 miles of the respective city of the above mentioned cities
ZONE 4: Projects located more than 50 miles and less than 60 miles of the respective city of the above mentioned cities.
ZONE 5: Projects located more than 60 miles and less than 70 miles of the respective city of the above mentioned cities
ZONE 6: Projects located more than 70 miles of the respected city of the above mentioned cities

CARP0770-003 06/01/2007

Rates Fringes

Carpenters:

CENTRAL WASHINGTON:
CHELAN, DOUGLAS (WEST OF THE 120TH MERIDIAN),
KITTITAS, OKANOGAN (WEST OF THE 120TH MERIDIAN) AND
YAKIMA COUNTIES
ACCOUSTICAL WORKERS.....\$ 23.25 10.85
BRIDGE, DOCK AND WHARF

CARPENTERS AND HEAVY &		
HIGHWAY.....	\$ 32.49	10.85
CARPENTERS AND DRYWALL		
APPLICATORS.....	\$ 23.25	10.85
CARPENTERS ON CREOSOTE		
MATERIAL.....	\$ 23.25	10.85
DIVERS TENDER.....	\$ 33.29	10.93
DIVERS.....	\$ 74.82	10.93
INSULATION APPLICATORS.....	\$ 23.25	10.85
MILLWRIGHT AND MACHINE		
ERECTORS.....	\$ 33.49	10.85
PILEDRIIVER, DRIVING,		
PULLING, CUTTING, PLACING		
COLLARS, SETTING, WELDING		
OR CRESOTE TREATED		
MATERIAL, ALL PILING.....	\$ 32.69	10.85
SAWFILERS, STATIONARY		
POWER SAW OPERATORS,		
FLOOR FINISHER, FLOOR		
LAYER, SHINGLER, FLOOR		
SANDER OPERATOR AND		
OPERATORS OF OTHER		
STATIONARY WOOD WORKING		
TOOLS.....	\$ 23.25	10.85

(HOURLY ZONE PAY: WESTERN AND CENTRAL WASHINGTON - ALL CLASSIFICATIONS EXCEPT MILLWRIGHTS AND PILEDRIIVERS)

Hourly Zone Pay shall be paid on jobs located outside of the free zone computed from the city center of the following listed cities:

- | | | |
|------------------|--------------|--------------|
| Seattle | Olympia | Bellingham |
| Auburn | Bremerton | Anacortes |
| Renton | Shelton | Yakima |
| Aberdeen-Hoquiam | Tacoma | Wenatchee |
| Ellensburg | Everett | Port Angeles |
| Centralia | Mount Vernon | Sunnyside |
| Chelan | Pt. Townsend | |

Zone Pay:

0 -25 radius miles	Free
26-35 radius miles	\$1.00/hour
36-45 radius miles	\$1.15/hour
46-55 radius miles	\$1.35/hour
Over 55 radius miles	\$1.55/hour

(HOURLY ZONE PAY: WESTERN AND CENTRAL WASHINGTON - MILLWRIGHT AND PILEDRIIVER ONLY)

Hourly Zone Pay shall be computed from Seattle Union Hall, Tacoma City center, and Everett City center

Zone Pay:

0 -25 radius miles Free
 26-45 radius miles \$.70/hour
 Over 45 radius miles \$1.50/hour

 CARP0770-006 06/01/2007

Rates Fringes

Carpenters:

WESTERN WASHINGTON:
 CLALLAM, GRAYS HARBOR,
 ISLAND, JEFFERSON, KING,
 KITSAP, LEWIS (excludes
 piledrivers only), MASON,
 PACIFIC (North of a
 straight line made by
 extending the north
 boundary line of Wahkiakum
 County west to the Pacific
 Ocean), PIERCE, SAN JUAN,
 SKAGIT, SNOHOMISH,
 THURSTON AND WHATCOM
 COUNTIES

ACOUSTICAL WORKERS.....	\$ 32.62	11.26
BRIDGE, DOCK & WHARF CARPENTERS.....	\$ 32.49	11.26
CARPENTERS AND DRYWALL APPLICATORS.....	\$ 32.49	11.26
CARPENTERS ON CREOSOTE MATERIAL.....	\$ 32.59	11.26
DIVERS TENDER.....	\$ 33.29	10.93
DIVERS.....	\$ 74.82	10.93
INSULATION APPLICATORS.....	\$ 32.49	11.26
MILLWRIGHT AND MACHINE ERECTORS.....	\$ 33.49	11.26
PILEDRIVER, DRIVING, PULLING, CUTTING, PLACING COLLARS, SETTING, WELDING OR CRESOTE TREATED MATERIAL, ALL PILING.....	\$ 32.69	11.26
SAWFILERS, STATIONARY POWER SAW OPERATORS, FLOOR FINISHER, FLOOR LAYER, SHINGLER, FLOOR SANDER OPERATOR AND OPERATORS OF OTHER STATIONARY WOOD WORKING TOOLS.....	\$ 32.62	11.26

(HOURLY ZONE PAY: WESTERN AND CENTRAL WASHINGTON - ALL
 CLASSIFICATIONS EXCEPT MILLWRIGHTS AND PILEDRIVERS

Hourly Zone Pay shall be paid on jobs located outside of the
 free zone computed from the city center of the following

listed cities:

Seattle	Olympia	Bellingham
Auburn	Bremerton	Anacortes
Renton	Shelton	Yakima
Aberdeen-Hoquiam	Tacoma	Wenatchee
Ellensburg	Everett	Port Angeles
Centralia	Mount Vernon	Sunnyside
Chelan	Pt. Townsend	

Zone Pay:

0 -25 radius miles	Free
26-35 radius miles	\$1.00/hour
36-45 radius miles	\$1.15/hour
46-55 radius miles	\$1.35/hour
Over 55 radius miles	\$1.55/hour

(HOURLY ZONE PAY: WESTERN AND CENTRAL WASHINGTON - MILLWRIGHT AND PILEDRIVER ONLY)

Hourly Zone Pay shall be computed from Seattle Union Hall, Tacoma City center, and Everett City center

Zone Pay:

0 -25 radius miles	Free
26-45 radius miles	\$.70/hour
Over 45 radius miles	\$1.50/hour

ELEC0046-001 07/02/2007

CALLAM, JEFFERSON, KING AND KITSAP COUNTIES

	Rates	Fringes
CABLE SPLICER.....	\$ 40.62	3%+13.21
ELECTRICIAN.....	\$ 36.93	3%+13.21

* ELEC0048-003 01/01/2009

CLARK, KLICKITAT AND SKAMANIA COUNTIES

	Rates	Fringes
CABLE SPLICER.....	\$ 34.40	3%+\$14.85
ELECTRICIAN.....	\$ 35.65	3%+\$15.35

HOURLY ZONE PAY:

Hourly Zone Pay shall be paid on jobs located outside of the free zone computed from the city center of the following listed cities:

Portland, The Dalles, Hood River, Tillamook, Seaside and Astoria

Zone Pay:

Zone 1: 31-50 miles \$1.50/hour

Zone 2: 51-70 miles \$3.50/hour

Zone 3: 71-90 miles \$5.50/hour

Zone 4: Beyond 90 miles \$9.00/hour

*These are not miles driven. Zones are based on Delorme Street Atlas USA 2006 plus.

ELEC0073-001 01/01/2009

ADAMS, FERRY, LINCOLN, PEND OREILLE, SPOKANE, STEVENS, WHITMAN COUNTIES

	Rates	Fringes
CABLE SPLICER.....	\$ 28.22	3%+12.48
ELECTRICIAN.....	\$ 27.82	3%+12.48

ELEC0076-002 03/01/2007

GRAYS HARBOR, LEWIS, MASON, PACIFIC, PIERCE, AND THURSTON COUNTIES

	Rates	Fringes
CABLE SPLICER.....	\$ 36.31	3%+13.19
ELECTRICIAN.....	\$ 32.71	3%+13.19

ELEC0077-002 02/01/2007

	Rates	Fringes
Line Construction:		
CABLE SPLICERS.....	\$ 42.09	3.875%+\$10.60
GROUNDMEN.....	\$ 26.31	3.875%+\$8.60
LINE EQUIPMENT MEN.....	\$ 32.32	3.875%+\$8.70
LINEMEN, POLE SPRAYERS, HEAVY LINE EQUIPMENT MAN....	\$ 37.58	3.875%+\$10.60
POWDERMEN, JACKHAMMERMEN....	\$ 28.19	3.875%+\$8.60
TREE TRIMMER.....	\$ 22.65	3.875%+\$8.35

ELEC0112-005 12/01/2008

ASOTIN, BENTON, COLUMBIA, FRANKLIN, GARFIELD, KITTITAS, WALLA WALLA, YAKIMA COUNTIES

	Rates	Fringes
CABLE SPLICER.....	\$ 35.39	3%+13.48

ELECTRICIAN.....\$ 33.70 3%+13.48

ELEC0191-003 03/01/2008

ISLAND, SAN JUAN, SNOHOMISH, SKAGIT AND WHATCOM COUNTIES

Rates Fringes

CABLE SPLICER.....\$ 36.86 3%+12.98

ELECTRICIAN.....\$ 33.51 3%+12.98

ELEC0191-004 03/01/2008

CHELAN, DOUGLAS, GRANT AND OKANOGAN COUNTIES

Rates Fringes

CABLE SPLICER.....\$ 32.46 3%+12.81

ELECTRICIAN.....\$ 29.51 3%+12.81

ELEC0970-001 01/01/2009

COWLITZ AND WAHKIAKUM COUNTIES

Rates Fringes

CABLE SPLICER.....\$ 34.68 3%+9.59

ELECTRICIAN.....\$ 31.53 3%+9.59

ENGI0302-003 06/01/2008

CHELAN (WEST OF THE 120TH MERIDIAN), CLALLAM, DOUGLAS (WEST OF THE 120TH MERIDIAN), GRAYS HARBOR, ISLAND, JEFFERSON, KING, KITSAP, KITTITAS, MASON, OKANOGAN (WEST OF THE 120TH MERIDIAN), SAN JUNA, SKAGIT, SNOHOMISH, WHATCOM AND YAKIMA (WEST OF THE 120TH MERIDIAN) COUNTIES

PROJECTS: CATEGORY A PROJECTS (EXCLUDES CATEGORY B PROJECTS, AS SHOWN BELOW)

Zone 1 (0-25 radius miles):

Rates Fringes

Power equipment operators:

Group 1A.....\$ 34.51 13.95

Group 1AA.....\$ 35.08 13.95

Group 1AAA.....\$ 35.64 13.95

Group 1.....\$ 33.96 13.95

Group 2.....\$ 33.47 13.95

Group 3.....\$ 33.05 13.95

Group 4.....\$ 30.69 13.95

Zone Differential (Add to Zone 1 rates):

Zone 2 (26-45 radius miles) - \$1.00

Zone 3 (Over 45 radius miles) - \$1.30

BASEPOINTS: Aberdeen, Bellingham, Bremerton, Everett, Kent, Mount Vernon, Port Angeles, Port Townsend, Seattle, Shelton, Wenatchee, Yakima

POWER EQUIPMENT OPERATORS CLASSIFICATIONS

GROUP 1AAA - Cranes-over 300 tons, or 300 ft of boom (including jib with attachments)

GROUP 1AA - Cranes 200 to 300 tons, or 250 ft of boom (including jib with attachments); Tower crane over 175 ft in height, base to boom

GROUP 1A - Cranes, 100 tons thru 199 tons, or 150 ft of boom (including jib with attachments); Crane-overhead, bridge type, 100 tons and over; Tower crane up to 175 ft in height base to boom; Loaders-overhead, 8 yards and over; Shovels, excavator, backhoes-6 yards and over with attachments

GROUP 1 - Cableway; Cranes 45 tons thru 99 tons, under 150 ft of boom (including jib with attachments); Crane-overhead, bridge type, 45 tons thru 99 tons; Derricks on building work; Excavator, shovel, backhoes over 3 yards and under 6 yards; Hard tail end dump articulating off-road equipment 45 yards and over; Loader- overhead 6 yards to, but not including 8 yards; Mucking machine, mole, tunnel, drill and/or shield; Quad 9, HD 41, D-10; Remote control operator on rubber tired earth moving equipment; Rollagon; Scrapers-self propelled 45 yards and over; Slipform pavers; Transporters, all truck or track type

GROUP 2 - Barrier machine (zipper); Batch Plant Operaor-Concrete; Bump Cutter; Cranes, 20 tons thru 44 tons with attachments; Crane-overhead, bridge type-20 tons through 44 tons; Chipper; Concrete Pump-truck mount with boom attachment; Crusher; Deck Engineer/Deck Winches (power); Drilling machine; Excavator, shovel, backhoe-3yards and under; Finishing Machine, Bidwell, Gamaco and similar equipment; Guardrail punch; Horizontal/directional drill operator; Loaders-overhead under 6 yards; Loaders-plant feed; Locomotives-all; Mechanics-all; Mixers-asphalt plant; Motor patrol graders-finishing; Piledriver (other than crane mount); Roto-mill,roto-grinder; Screedman, spreader, topside operator-Blaw Knox, Cedar Rapids, Jaeger, Caterpillar, Barbar Green; Scraper-self propelled, hard tail end dump, articulating off-road equipment-under 45 yards; Subgrade trimmer; Tractors, backhoes-over 75 hp; Transfer material service machine-shuttle buggy, blaw knox-roadtec; Truck crane oiler/driver-100 tons and over; Truck Mount portable conveyor; Yo Yo Pay dozer

GROUP 3 - Conveyors; Cranes-thru 19 tons with attachments; A-frame crane over 10 tons; Drill oilers-auger type, truck or crane mount; Dozers-D-9 and under; Forklift-3000 lbs. and over with attachments; Horizontal/directional drill locator; Outside hoists-(elevators and manlifts), air tuggers, strato tower bucket elevators; Hydralifts/boom trucks over 10 tons; Loader-elevating type, belt; Motor patrol grader-nonfinishing; Plant oiler- asphalt, crusher; Pumps-concrete; Roller, plant mix or multi-lift materials; Saws-concrete; Scrpers-concrete and carry-all; Service engineer-equipment; Trenching machines; Truck Crane Oiler/Driver under 100 tons; Tractors, backhoe 75 hp and under

GROUP 4 - Assistant Engineer; Bobcat; Brooms; Compressor; Concrete finish mahine-laser screed; Cranes-A frame-10 tons and under; Elevator and Manlift-permanent or shaft type; Gradechecker, Stakehop; Forklifts under 3000 lbs. with attachments; Hydralifts/boom trucks, 10 tons and under; Oil distributors, blower distribution and mulch seeding operator; Pavement breaker; Posthole digger, mechanical; Power plant; Pumps, water; Rigger and Bellman; Roller-other than plant mix; Wheel Tractors, farmall type; Shotcrete/gunite equipment operator

Category B Projects: 95% of the basic hourly reate for each group plus full fringe benefits applicable to category A projects shall apply to the following projects. A Reduced rates may be paid on the following:

1. Projects involving work on structures such as buildings and bridges whose total value is less than \$1.5 million excluding mechanical, electrical, and utility portions of the contract.
2. Projects of less than \$1 million where no building is involved. Surfacing and paving included, but utilities excluded.
3. Marine projects (docks, wharfs, etc.) less than \$150,000.

HANDLING OF HAZARDOUS WASTE MATERIALS:

Personnel in all craft classifications subject to working inside a federally designated hazardous perimeter shall be elgible for compensation in accordance with the following group schedule relative to the level of hazardous waste as outlined in the specific hazardous waste project site safety plan.

H-1 Base wage rate when on a hazardous waste site when not

outfitted with protective clothing

H-2 Class "C" Suit - Base wage rate plus \$.25 per hour.

H-3 Class "B" Suit - Base wage rate plus \$.50 per hour.

H-4 Class "A" Suit - Base wage rate plus \$.75 per hour.

Zone Differential (Add to Zone 1 rates):

Zone 2 (26-45 radius miles) - \$.70

Zone 3 (Over 45 radius miles) - \$1.00

BASEPOINTS: Aberdeen, Bellingham, Bremerton, Everett, Kent, Mount Vernon, Port Angeles, Port Townsend, Seattle, Shelton, Wenatchee, Yakima

POWER EQUIPMENT OPERATORS CLASSIFICATIONS

GROUP 1AAA - Cranes-over 300 tons, or 300 ft of boom (including jib with attachments)

GROUP 1AA - Cranes 200 to 300 tons, or 250 ft of boom (including jib with attachments); Tower crane over 175 ft in height, base to boom

GROUP 1A - Cranes, 100 tons thru 199 tons, or 150 ft of boom (including jib with attachments); Crane-overhead, bridge type, 100 tons and over; Tower crane up to 175 ft in height base to boom; Loaders-overhead, 8 yards and over; Shovels, excavator, backhoes-6 yards and over with attachments

GROUP 1 - Cableway; Cranes 45 tons thru 99 tons, under 150 ft of boom (including jib with attachments); Crane-overhead, bridge type, 45 tons thru 99 tons; Derricks on building work; Excavator, shovel, backhoes over 3 yards and under 6 yards; Hard tail end dump articulating off-road equipment 45 yards and over; Loader- overhead 6 yards to, but not including 8 yards; Mucking machine, mole, tunnel, drill and/or shield; Quad 9, HD 41, D-10; Remote control operator on rubber tired earth moving equipment; Rollagon; Scrapers-self propelled 45 yards and over; Slipform pavers; Transporters, all truck or track type

GROUP 2 - Barrier machine (zipper); Batch Plant Operator-Concrete; Bump Cutter; Cranes, 20 tons thru 44 tons with attachments; Crane-overhead, bridge type-20 tons through 44 tons; Chipper; Concrete Pump-truck mount with boom attachment; Crusher; Deck Engineer/Deck Winches (power); Drilling machine; Excavator, shovel, backhoe-3 yards and under; Finishing Machine, Bidwell, Gamaco and similar equipment; Guardrail punch; Horizontal/directional drill operator; Loaders-overhead under 6 yards; Loaders-plant feed; Locomotives-all; Mechanics-all; Mixers-asphalt plant; Motor patrol graders-finishing; Piledriver (other than crane

mount); Roto-mill, roto-grinder; Screedman, spreader, topside operator-Blaw Knox, Cedar Rapids, Jaeger, Caterpillar, Barbar Green; Scraper-self propelled, hard tail end dump, articulating off-road equipment-under 45 yards; Subgrade trimmer; Tractors, backhoes-over 75 hp; Transfer material service machine-shuttle buggy, blaw knox-roadtec; Truck crane oiler/driver-100 tons and over; Truck Mount portable conveyor; Yo Yo Pay dozer

GROUP 3 - Conveyors; Cranes-thru 19 tons with attachments; A-frame crane over 10 tons; Drill oilers-auger type, truck or crane mount; Dozers-D-9 and under; Forklift-3000 lbs. and over with attachments; Horizontal/directional drill locator; Outside hoists-(elevators and manlifts), air tuggers, strato tower bucket elevators; Hydralifts/boom trucks over 10 tons; Loader-elevating type, belt; Motor patrol grader-nonfinishing; Plant oiler- asphalt, crusher; Pumps-concrete; Roller, plant mix or multi-lift materials; Saws-concrete; Scrpers-concrete and carry-all; Service engineer-equipment; Trenching machines; Truck Crane Oiler/Driver under 100 tons; Tractors, backhoe 75 hp and under

GROUP 4 - Assistant Engineer; Bobcat; Brooms; Compressor; Concrete finish mahine-laser screed; Cranes-A frame-10 tons and under; Elevator and Manlift-permanent or shaft type; Gradechecker, Stakehop; Forklifts under 3000 lbs. with attachments; Hydralifts/boom trucks, 10 tons and under; Oil distributors, blower distribution and mulch seeding operator; Pavement breaker; Posthole digger, mechanical; Power plant; Pumps, water; Rigger and Bellman; Roller-other than plant mix; Wheel Tractors, farmall type; Shotcrete/gunite equipment operator

CATEGORY B PROJECTS: 95% OF THE BASIC HOURLY RATE FOR EACH GROUP PLUS FULL FRINGE BENEFITS APPLICABLE TO CATEGORY A PROJECTS SHALL APPLY TO THE FOLLOWING PROJECTS. REDUCED RATES MAY BE PAID ON THE FOLLOWING:

1. Projects involving work on structures such as buildings and bridges whose total value is less than \$1.5 million excluding mechanical, electrical, and utility portions of the contract.
2. Projects of less than \$1 million where no building is involved. Surfacing and paving including, but utilities excluded.
3. Marine projects (docks, wharfs, ect.) less than \$150,000.

HANDLING OF HAZARDOUS WASTE MATERIALS: Personnel in all craft classifications subject to working inside a federally designed hazardous perimeter shall be eligible for compensation in accordance with the following group schedule relative to the level of hazardous waste as outlined in the specific hazardous waste project site safety plan.

H-1 Base wage rate when on a hazardous waste site when not outfitted with protective clothing.

H-2 Class "C" Suit - Base wage rate plus \$.25 per hour.

H-3 Class "B" Suit - Base wage rate plus \$.50 per hour.

H-4 Class "A" Suit - Base wage rate plus \$.75 per hour.

ENGI0302-009 06/01/2007

CHELAN (WEST OF THE 120TH MERIDIAN), CLALLAM, DOUGLAS (WEST OF THE 120TH MERIDIAN), GRAYS HARBOR, ISLAND, JEFFERSON, KING, KITSAP, KITTITAS, MASON, OKANOGAN (WEST OF THE 120TH MERIDIAN), SAN JUNA,SKAGIT, SNOHOMISH, WHATCOM AND YAKIMA (WEST OF THE 120TH MERIDIAN) COUNTIES

ON PROJECTS DESCRIBED IN FOOTNOTE A BELOW, THE RATE FOR EACH GROUP SHALL BE 95% OF THE BASE RATE PLUS FULL FRINGE BENEFITS. ON ALL OTHER WORK, THE FOLLOWING RATES APPLY.

WORK PERFORMED ON HYDRAULIC DREDDGES:

Zone 1 (0-25 radius miles):

Rates Fringes

Power equipment operators:

GROUP 1

TOTAL PROJECT COST

\$300,000 AND OVER.....\$ 31.33 12.75

TOTAL PROJECT COST UNDER

\$300,000.....\$ 26.96 8.40

GROUP 2

TOTAL PROJECT COST

\$300,000 AND OVER.....\$ 31.46 12.75

TOTAL PROJECT COST UNDER

\$300,000.....\$ 27.06 8.40

GROUP 3

TOTAL PROJECT COST

\$300,000 AND OVER.....\$ 31.84 12.75

TOTAL PROJECT COST UNDER

\$300,000.....\$ 27.38 8.40

GROUP 4

TOTAL PROJECT COST

\$300,000 AND OVER.....\$ 31.89 12.75

TOTAL PROJECT COST UNDER

\$300,000.....\$ 27.43 8.40

GROUP 5

TOATL PROJECT COST

\$300,000 AND OVER.....\$ 33.46 12.75

TOTAL PROJECT COST UNDER

\$300,000.....\$ 28.75 8.40

GROUP 6

TOTAL PROJECT COST

\$300,000 AND OVER.....\$ 31.33 12.75

TOTAL PROJECT COST UNDER
\$300,000.....\$ 26.96 8.40

Zone Differential (Add to Zone 1 rates):

Zone 2 (26-45 radius miles) - \$.70

Zone 3 (Over 45 radius miles) - \$1.00

BASEPOINTS: Aberdeen, Bellingham, Bremerton, Everett, Kent,
Mount Vernon, Port Angeles, Port Townsend, Seattle,
Shelton, Wenatchee, Yakima

POWER EQUIPMENT OPERATORS CLASSIFICATIONS:

GROUP 1: Assistant Mate (Deckhand

GROUP 2: Oiler

GROUP 3: Assistant Engineer (Electric, Diesel, Steam or
Booster Pump); Mates and Boatmen

GROUP 4: Craneman, Engineer Welder

GROUP 5: Leverman, Hydraulic

GROUP 6: Maintenance

Category B Projects: 95% of the basic hourly reate for each
group plus full fringe benefits applicable to category A
projects shall apply to the following projects. A Reduced
rates may be paid on the following:

1. Projects involving work on structures such as buildings
and bridges whose total value is less than \$1.5 million
excluding mechanical, electrical, and utility portions of
the contract.
2. Projects of less than \$1 million where no building is
involved. Surfacing and paving included, but utilities
excluded.
3. Marine projects (docks, wharfs, etc.) less than \$150,000.

Heavy Wage rates (Category A) Applies to clam shell dredge,
hoe and dipper, shovels and shovel attachments, cranes and
bulldozers.

HANDLING OF HAZARDOUS WASTE MATERIALS:

Personnel in all craft classifications subject to working
inside a federally designated hazardous perimeter shall be
eligible for compensation in accordance with the following
group schedule relative to the level of hazardous waste as
outlined in the specific hazardous waste project site
safety plan.

H-1 Base wage rate when on a hazardous waste site when not
outfitted with protective clothing

H-2 Class "C" Suit - Base wage rate plus \$.25 per hour.

H-3 Class "B" Suit - Base wage rate plus \$.50 per hour.

H-4 Class "A" Suit - Base wage rate plus \$.75 per hour.

Zone Differential (Add to Zone 1 rates):

Zone 2 (26-45 radius miles) - \$.70

Zone 3 (Over 45 radius miles) - \$1.00

BASEPOINTS: Aberdeen, Bellingham, Bremerton, Everett, Kent, Mount Vernon, Port Angeles, Port Townsend, Seattle, Shelton, Wenatchee, Yakima

POWER EQUIPMENT OPERATORS CLASSIFICATIONS

GROUP 1 - ASSISTANT MATE (DECKHAND)

GROUP 2 - OILER

GROUP 3 - ASSISTANT ENGINEER (ELECTRIC, DIESEL, STEAM OR BOOSTER PUMP); MATES AND BOATMEN

GROUP 4 - CRANEMAN, ENGINEER WELDER

GROUP 5 - LEVERMAN, HYDRAULIC

GROUP 6 - MAINTENANCE

CATEGORY B PROJECTS: 95% OF THE BASIC HOURLY RATE FOR EACH GROUP PLUS FULL FRINGE BENEFITS APPLICABLE TO CATEGORY A PROJECTS SHALL APPLY TO THE FOLLOWING PROJECTS. REDUCED RATES MAY BE PAID ON THE FOLLOWING:

1. Projects involving work on structures such as buildings and bridges whose total value is less than \$1.5 million excluding mechanical, electrical, and utility portions of the contract.
2. Projects of less than \$1 million where no building is involved. Surfacing and paving including, but utilities excluded.
3. Marine projects (docks, wharfs, ect.) less than \$150,000.

HEAVY WAGE RATES (CATEGORY A) APPLIES TO CLAM SHELL DREDGE, HOE AND DIPPER, SHOVELS AND SHOVEL ATTACHMENTS, CRANES AND BULLDOZERS.

HANDLING OF HAZARDOUS WASTE MATERIALS: Personnel in all craft classifications subject to working inside a federally designed hazardous perimeter shall be eligible for compensation in accordance with the following group schedule relative to the level of hazardous waste as outlined in the specific hazardous waste project site safety plan.

H-1 Base wage rate when on a hazardous waste site when not outfitted with protective clothing.

H-2 Class "C" Suit - Base wage rate plus \$.25 per hour.

H-3 Class "B" Suit - Base wage rate plus \$.50 per hour.

H-4 Class "A" Suit - Base wage rate plus \$.75 per hour.

ADAMS, ASOTIN, BENTON, CHELAN (EAST OF THE 120TH MERIDIAN),
COLUMBIA, DOUGLAS (EAST OF THE 120TH MERIDIAN), FERRY,
FRANKLIN, GARFIELD, GRANT, LINCOLN, OKANOGAN (EAST OF THE 120TH
MERIDIAN), PEND OREILLE, SPOKANE, STEVENS, WALLA WALLA, WHITMAN
AND YAKIMA (EAST OF THE 120TH MERIDIAN) COUNTIES

ZONE 1:

Rates Fringes

Power equipment operators:

GROUP 1A.....	\$ 23.21	9.80
GROUP 1.....	\$ 23.76	9.80
GROUP 2.....	\$ 24.08	9.80
GROUP 3.....	\$ 24.69	9.80
GROUP 4.....	\$ 24.85	9.80
GROUP 5.....	\$ 25.01	9.80
GROUP 6.....	\$ 25.29	9.80
GROUP 7.....	\$ 25.56	9.80
GROUP 8.....	\$ 26.66	9.80

ZONE DIFFERENTIAL (Add to Zone 1 rate): Zone 2 - \$2.00

Zone 1: Within 45 mile radius of Spokane, Pasco, Washington;
Lewiston, Idaho

Zone 2: Outside 45 mile radius of Spokane, Pasco,
Washington; Lewiston, Idaho

POWER EQUIPMENT OPERATORS CLASSIFICATIONS

GROUP 1A: Boat Operator; Crush Feeder; Oiler; Steam Cleaner

GROUP 1: Bit Grinders; Bolt Threading Machine; Compressors
(under 2000 CFM, gas, diesel, or electric power); Deck
Hand; Drillers Helper (Assist driller in making drill rod
connections, service drill engine and air compressor,
repair drill rig and drill tools, drive drill support truck
to and on the job site, remove drill cuttings from around
bore hole and inspect drill rig while in operation);
Fireman & Heater Tender; Hydro-seeder, Mulcher, Nozzleman;
Oiler Driver, & Cable Tender, Mucking Machine; Pumpman;
Rollers, all types on subgrade, including seal and chip
coatings (farm type, Case, John Deere & similar, or
Compacting Vibrator), except when pulled by Dozer with
operable blade; Welding Machine; Crane Oiler-Driver (CLD
required) & Cable Tender, Mucking Machine

GROUP 2: A-frame Truck (single drum); Assistant Refrigeration

Plant (under 1000 ton); Assistant Plant Operator, Fireman or Pugmixer (asphalt); Bagley or Stationary Scraper; Belt Finishing Machine; Blower Operator (cement); Cement Hog; Compressor (2000 CFM or over, 2 or more, gas diesel or electric power); Concrete Saw (multiple cut); Distributor Leverman; Ditch Witch or similar; Elevator Hoisting Materials; Dope Pots (power agitated); Fork Lift or Lumber Stacker, hydra-lift & similar; Gin Trucks (pipeline); Hoist, single drum; Loaders (bucket elevators and conveyors); Longitudinal Float; Mixer (portable-concrete); Pavement Breaker, Hydra-Hammer & similar; Power Broom; Railroad Ballast Regulation Operator (self-propelled); Railroad Power Tamper Operator (self-propelled); Railroad Tamper Jack Operator (self-propelled); Spray Curing Machine (concrete); Spreader Box (self-propelled); Straddle Buggy (Ross & similar on construction job only); Tractor (Farm type R/T with attachment, except Backhoe); Tugger Operator

GROUP 3: A-frame Truck (2 or more drums); Assistant Refrigeration Plant & Chiller Operator (over 1000 ton); Backfillers (Cleveland & similar); Batch Plant & Wet Mix Operator, single unit (concrete); Belt-Crete Conveyors with power pack or similar; Belt Loader (Kocal or similar); Bending Machine; Bob Cat (Skid Steer); Boring Machine (earth); Boring Machine (rock under 8 inch bit) (Quarry Master, Joy or similar); Bump Cutter (Wayne, Saginaw or similar); Canal Lining Machine (concrete); Chipper (without crane); Cleaning & Doping Machine (pipeline); Deck Engineer; Elevating Belt-type Loader (Euclid, Barber Green & similar); Elevating Grader-type Loader (Dumor, Adams or similar); Generator Plant Engineers (diesel or electric); Gunnite Combination Mixer & Compressor; Locomotive Engineer; Mixermobile; Mucking Machine; Posthole Auger or Punch; Pump (grout or jet); Soil Stabilizer (P & H or similar); Spreader Machine; Dozer/Tractor (up to D-6 or equivalent) and Traxcavator; Traverse Finish Machine; Turnhead Operator

GROUP 4: Concrete Pumps (squeeze-crete, flow-crete, pump-crete, Whitman & similar); Curb Extruder (asphalt or concrete); Drills (churn, core, calyx or diamond); Equipment Serviceman; Greaser & Oiler; Hoist (2 or more drums or Tower Hoist); Loaders (overhead & front-end, under 4 yds. R/T); Refrigeration Plant Engineer (under 1000 ton); Rubber-tired Skidders (R/T with or without attachments); Surface Heater & Plant Machine; Trenching Machines (under 7 ft. depth capacity); Turnhead (with re-screening); Vacuum Drill (reverse circulation drill under 8 inch bit)

GROUP 5: Backhoe (under 45,000 gw); Backhoe & Hoe Ram (under 3/4 yd.); Carrydeck & Boom Truck (under 25 tons); Cranes (25 tons & under), all attachments including clamshell, dragline; Derricks & Stifflegs (under 65 tons); Drilling Equipment(8 inch bit & over) (Robbins, reverse circulation

& similar); Hoe Ram; Piledriving Engineers; Paving (dual drum); Railroad Track Liner Operatr (self-propelled); Refrigeration Plant Engineer (1000 tons & over); Signalman (Whirleys, Highline Hammerheads or similar); Grade Checker

GROUP 6: Asphalt Plant Operator; Automatic Subgrader (Ditches & Trimmers)(Autograde, ABC, R.A. Hansen & similar on grade wire); Backhoe (45,000 gw and over to 110,000 gw); Backhoes & Hoe Ram (3/4 yd. to 3 yd.); Batch Plant (over 4 units); Batch & Wet Mix Operator (multiple units, 2 & incl. 4); Blade Operator (motor patrol & attachments); Cable Controller (dispatcher); Compactor (self-propelled with blade); Concrete Pump Boom Truck; Concrete Slip Form Paver; Cranes (over 25 tons, to and including 45 tons), all attachments including clamshell, dragline; Crusher, Grizzle & Screening Plant Operator; Dozer, 834 R/T & similar; Drill Doctor; Loader Operator (front-end & overhead, 4 yds. incl. 8 yds.); Multiple Dozer Units with single blade; Paving Machine (asphalt and concrete); Quad-Track or similar equipment; Rollerman (finishing asphalt pavement); Roto Mill (pavement grinder); Scrapers, all, rubber-tired; Screed Operator; Shovel(under 3 yds.); Trenching Machines (7 ft. depth & over); Tug Boat Operator Vactor guzzler, super sucker; Lime Batch Tank Operator (REcycle Train); Lime Brain Operator (Recycle Train); Mobile Crusher Operator (Recycle Train)

GROUP 7: Backhoe (over 110,000 gw); Backhoes & Hoe Ram (3 yds & over); Blade (finish & bluetop) Automatic, CMI, ABC, Finish Athey & Huber & similar when used as automatic; Cableway Operators; Concrete Cleaning/Decontamination machine operator; Cranes (over 45 tons to but not including 85 tons), all attachments including clamshell and dragine; Derricks & Stiffleys (65 tons & over); Elevating Belt (Holland type); Heavy equipment robotics operator; Loader (360 degrees revolving Koehring Scooper or similar); Loaders (overhead & front-end, over 8 yds. to 10 yds.); Rubber-tired Scrapers (multiple engine with three or more scrapers); Shovels (3 yds. & over); Whirleys & Hammerheads, ALL; H.D. Mechanic; H.D. Welder; Hydraulic Platform Trailers (Goldhofer, Shaurerly and Similar); Ultra High Pressure Waterjet Cutting Tool System Operator (30,000 psi); Vacuum Blasting Machine Operator

GROUP 8: Cranes (85 tons and over, and all climbing, overhead,rail and tower), all attachments including clamshell, dragline; Loaders (overhead and front-end, 10 yards and over); Helicopter Pilot

BOOM PAY: (All Cranes, Including Tower)

180 ft to 250 ft \$.50 over scale
Over 250 ft \$.80 over scale

NOTE:

In computing the length of the boom on Tower Cranes, they shall be measured from the base of the Tower to the point of the boom.

HAZMAT:

Anyone working on HAZMAT jobs, working with supplied air shall receive \$1.00 an hour above classification.

ENGI0370-006 06/01/2008

ADAMS, ASOTIN, BENTON, CHELAN (EAST OF THE 120TH MERIDIAN), COLUMBIA, DOUGLAS (EAST OF THE 120TH MERIDIAN), FERRY, FRANKLIN, GARFIELD, GRANT, LINCOLN, OKANOGAN (EAST OF THE 120TH MERIDIAN), PEND OREILLE, SPOKANE, STEVENS, WALLA WALLA, WHITMAN AND YAKIMA (EAST OF THE 120TH MERIDIAN) COUNTIES

WORK PERFORMED ON HYDRAULIC DREDGES

	Rates	Fringes
Hydraulic Dredge		
GROUP 1:.....	\$ 31.85	13.53
GROUP 2:.....	\$ 32.36	13.53
GROUP 3:.....	\$ 32.41	13.53
GROUP 4:.....	\$ 33.98	13.53
GROUP 5:.....	\$ 31.85	13.53
GROUP 6:.....	\$ 31.98	13.53
GROUP 7:.....	\$ 32.36	13.53

- GROUP 1: Assistant Mate (Deckhand)
- GROUP 2: Assistant Engineer (Electric, Diesel, Steam, or Booster Pump)
- GROUP 3: Engineer Welder
- GROUP 4: Leverman, Hydraulic
- GROUP 5: Maintenance
- GROUP 6: Oiler
- GROUP 7: Mates & Boatman

HEAVY WAGE RATES APPLIES TO CLAM SHELL DREDGE, HOE AND DIPPER, SHOVELS AND SHOVEL ATTACHMENTS, CRANES AND BULLDOZERS.

ENGI0612-001 06/01/2007

LEWIS, PIERCE, PACIFIC (THAT PORTION WHICH LIES NORTH OF A PARALLEL LINE EXTENDED WEST FROM THE NORTHERN BOUNDARY OF WAHKAUKUM COUNTY TO THE SEA IN THE STATE OF WASHINGTON) AND THURSTON COUNTIES

PROJECTS:

CATEGORY A PROJECTS (excludes Category B projects, as shown below)

Rates Fringes

Power equipment operators:

WORK PERFORMED ON

HYDRAULIC DREDGES: Total

Project cost \$300,000 and over

GROUP 1.....	\$ 31.33	12.75
GROUP 2.....	\$ 31.46	12.75
GROUP 3.....	\$ 31.84	12.75
GROUP 4.....	\$ 31.89	12.75
GROUP 5.....	\$ 33.46	12.75
GROUP 6.....	\$ 31.33	12.75

WORK PERFORMED ON

HYDRAULIC DREDGES: Total

Project Cost under \$300,000

GROUP 1.....	\$ 26.96	8.40
GROUP 2.....	\$ 27.06	8.40
GROUP 3.....	\$ 27.38	8.40
GROUP 4.....	\$ 27.43	8.40
GROUP 5.....	\$ 28.75	8.40
GROUP 6.....	\$ 26.96	8.40

ZONE 2 (26-45 radius miles) - Add \$.70 to Zone 1 rates

ZONE 3 (Over 45 radius miles) - Add \$1.00 to Zone 1 rates

BASEPOINTS: Tacoma, Olympia, and Centralia

CATEGORY B PROJECTS - 95% of the basic hourly rate for each group plus full fringe benefits applicable to Category A projects shall apply to the following projects: Reduced rates may be paid on the following:

1. Projects involving work on structures such as buildings and structures whose total value is less than \$1.5 million excluding mechanical, electrical, and utility portions of the contract.
2. Projects of less than \$1 million where no building is involved. Surfacing and paving included, but utilities excluded.
3. Marine projects (docts, wharfs, etc.) less than \$150,000

WORK PERFORMED ON HYDRAULIC DREDGES:

GROUP 1: Assistant Mate (Deckhand

GROUP 2: Oiler

GROUP 3: Assistant Engineer (Electric, Diesel, Steam or Booster Pump); Mates and Boatmen

GROUP 4: Craneman, Engineer Welder

GROUP 5: Leverman, Hydraulic

GROUP 6: Maintenance

HEAVY WAGE RATES APPLIES TO CLAM SHEEL DREDGE, HOE AND

DIPPER, SHOVELS AND SHOVEL ATTACHMENTS, CRANES AND BULLDOZERS

HANDLING OF HAZARDOUS WASTE MATERIALS

- H-1 - When not outfitted with protective clothing of level D equipment - Base wage rate
- H-2 - Class "C" Suit - Base wage rate + \$.25 per hour
- H-3 - Class "B" Suit - Base wage rate + \$.50 per hour
- H-4 - Class "A" Suit - Base wage rate +\$.75 per hour

ENGI0612-002 06/01/2008

LEWIS, PIERCE, PACIFIC (portion lying north of a parallel line extending west from the northern boundary of Wahkaikum County to the sea) AND THURSTON COUNTIES

ON PROJECTS DESCRIBED IN FOOTNOTE A BELOW, THE RATE FOR EACH GROUP SHALL BE 90% OF THE BASE RATE PLUS FULL FRINGE BENEFITS. ON ALL OTHER WORK, THE FOLLOWING RATES APPLY.

Zone 1 (0-25 radius miles):

Rates	Fringes
-------	---------

Power equipment operators:

GROUP 1A.....	\$ 34.51	13.95
GROUP 1AA.....	\$ 35.08	13.95
GROUP 1AAA.....	\$ 35.65	13.95
GROUP 1.....	\$ 33.96	13.95
GROUP 2.....	\$ 33.47	13.95
GROUP 3.....	\$ 33.05	13.95
GROUP 4.....	\$ 30.69	13.95

Zone Differential (Add to Zone 1 rates):

Zone 2 (26-45 radius miles) = \$.70

Zone 3 (Over 45 radius miles) - \$1.00

BASEPOINTS: CENTRALIA, OLYMPIA, TACOMA

POWER EQUIPMENT OPERATORS CLASSIFICATIONS

GROUP 1 AAA - Cranes-over 300 tons or 300 ft of boom (including jib with attachments)

GROUP 1AA - Cranes- 200 tonsto 300 tons, or 250 ft of boom (including jib with attachments; Tower crane over 175 ft in height, bas to boom

GROUP 1A - Cranes, 100 tons thru 199 tons, or 150 ft of boom (including jib with attachments); Crane-overhead, bridge type, 100 tons and over; Tower crane up to 175 ft in height base to boom; Loaders-overhead, 8 yards and over; Shovels,

excavator, backhoes-6 yards and over with attachments

GROUP 1 - Cableway; Cranes 45 tons thru 99 tons under 150 ft of boom (including jib with attachments); Crane-overhead, bridge type, 45 tons thru 99 tons; Derricks on building work; Excavator, shovel, backhoes over 3 yards and under 6 yards; Hard tail end dump articulating off-road equipment 45 yards and over; Loader- overhead, 6 yards to, but not including, 8 yards; Mucking machine, mole, tunnel, drill and/or shield; Quad 9 HD 41, D-10; Remote control operator on rubber tired earth moving equipment; Rollagon; Scrapers-self-propelled 45 yards and over; Slipform pavers; Transporters, all track or truck type

GROUP 2 - Barrier machine (zipper); Batch Plant Operator-concrete; Bump Cutter; Cranes, 20 tons thru 44 tons with attachments; Crane-Overhead, bridge type, 20 tons through 44 tons; Chipper; Concrete pump-truck mount with boom attachment; Crusher; Deck engineer/deck winches (power); Drilling machine; Excavator, shovel, backhoe-3 yards and under; Finishing machine, Bidwell, Gamaco and similar equipment; Guardrail punch; Loaders, overhead under 6 yards; Loaders-plant feed; Locomotives-all; Mechanics- all; Mixers, asphalt plant; Motor patrol graders, finishing; Piledriver (other than crane mount); Roto-mill, roto-grinder; Screedman, spreader, topside operator-Blaw Knox, Cedar Rapids, Jaeger, Caterpillar, Barbar Green; Scraper-self-propelled, hard tail end dump, articulating off-road equipment- under 45 yards; Subgrader trimmer; Tractors, backhoe over 75 hp; Transfer material service machine-shuttle buggy, Blaw Knox- Roadtec; Truck Crane oiler/driver-100 tons and over; Truck Mount Portable Conveyor; Yo Yo pay

GROUP 3 - Conveyors; Cranes through 19 tons with attachments; Crane-A-frame over 10 tons; Drill oilers-auger type, truck or crane mount; Dozer-D-9 and under; Forklift-3000 lbs. and over with attachments; Horizontal/directional drill locator; Outside Hoists-(elevators and manlifts), air tuggers, strato tower bucket elevators; Hydralifts/boom trucks over 10 tons; Loaders-elevating type, belt; Motor patrol grader-nonfinishing; Plant oiler- asphalt, crusher; Pump-Concrete; Roller, plant mix or multi-lfit materials; Saws-concrete; Scrapers, concrete and carry all; Service engineers-equipment; Trenching machines; Truck crane oiler/driver under 100 tons; Tractors, backhoe under 75 hp

GROUP 4 - Assistant Engineer; Bobcat; Brooms; Compressor; Concrete Finish Machine-laser screed; Cranes A-frame 10 tons and under; Elevator and manlift (permanent and shaft type); Forklifts-under 3000 lbs. with attachments; Gradechecker, stakehop; Hydralifts/boom trucks, 10 tons and under; Oil distributors, blower distribution and mulch seeding operator; Pavement breaker; Posthole

digger-mechanical; Power plant; Pumps-water; Rigger and Bellman; Roller-other than plant mix; Wheel Tractors, farmall type; Shotcrete/gunite equipment operator

FOOTNOTE A- Reduced rates may be paid on the following:

1. Projects involving work on structures such as buildings and bridges whose total value is less than \$1.5 million excluding mechanical, electrical, and utility portions of the contract.
2. Projects of less than \$1 million where no building is involved. Surfacing and paving included, but utilities excluded.
3. Marine projects (docks, wharfs, etc.) less than \$150,000.

HANDLING OF HAZARDOUS WASTE MATERIALS: Personnel in all craft classifications subject to working inside a federally designated hazardous perimeter shall be eligible for compensation in accordance with the following group schedule relative to the level of hazardous waste as outlined in the specific hazardous waste project site safety plan.

H-1 Base wage rate when on a hazardous waste site when not outfitted with protective clothing

H-2 Class "C" Suit - Base wage rate plus \$.25 per hour.

H-3 Class "B" Suit - Base wage rate plus \$.50 per hour.

H-4 Class "A" Suit - Base wage rate plus \$.75 per hour.

 ENGI0701-002 01/01/2009

CLARK, COWLITZ, KLICKKITAT, PACIFIC (SOUTH), SKAMANIA, AND WAHKIAKUM COUNTIES

POWER RQUIPMENT OPERATORS: ZONE 1

	Rates	Fringes
--	-------	---------

Power equipment operators:

(See Footnote A)

GROUP 1.....	\$ 36.22	10.90
GROUP 1A.....	\$ 38.03	10.90
GROUP 1B.....	\$ 39.84	10.90
GROUP 2.....	\$ 34.65	10.90
GROUP 3.....	\$ 33.69	10.90
GROUP 4.....	\$ 32.78	10.90
GROUP 5.....	\$ 31.71	10.90
GROUP 6.....	\$ 28.82	10.90

Zone Differential (add to Zone 1 rates):

Zone 2 - \$2.50

Zone 3 - \$5.00

For the following metropolitan counties: MULTNOMAH; CLACKAMAS; MARION; WASHINGTON; YAMHILL; AND COLUMBIA; CLARK; AND COWLITZ COUNTY, WASHINGTON WITH MODIFICATIONS AS INDICATED:

All jobs or projects located in Multnomah, Clackamas and Marion Counties, West of the western boundary of Mt. Hood National Forest and West of Mile Post 30 on Interstate 84 and West of Mile Post 30 on State Highway 26 and West of Mile Post 30 on Highway 22 and all jobs or projects located in Yamhill County, Washington County and Columbia County and all jobs or projects located in Clark & Cowlitz County, Washington except that portion of Cowlitz County in the Mt. St. Helens "Blast Zone" shall receive Zone I pay for all classifications.

All jobs or projects located in the area outside the identified boundary above, but less than 50 miles from the Portland City Hall shall receive Zone II pay for all classifications.

All jobs or projects located more than 50 miles from the Portland City Hall, but outside the identified border above, shall receive Zone III pay for all classifications.

For the following cities: ALBANY; BEND; COOS BAY; EUGENE; GRANTS PASS; KLAMATH FALLS; MEDFORD; ROSEBURG

All jobs or projects located within 30 miles of the respective city hall of the above mentioned cities shall receive Zone I pay for all classifications.

All jobs or projects located more than 30 miles and less than 50 miles from the respective city hall of the above mentioned cities shall receive Zone II pay for all classifications.

All jobs or projects located more than 50 miles from the respective city hall of the above mentioned cities shall receive Zone III pay for all classifications.

POWER EQUIPMENT OPERATORS CLASSIFICATIONS

GROUP 1: CONCRETE: Batch Plant and/or Wet Mix Operator, three units or more; CRANE: Helicopter Operator, when used in erecting work; Whirley Operator, 90 ton and over; LATTICE BOOM CRANE: Operator 200 tons through 299 tons, and/or over 200 feet boom; HYDRAULIC CRANE: Hydraulic Crane Operator 90 tons through 199 tons with luffing or tower attachments; FLOATING EQUIPMENT: Floating Crane, 150 ton but less than 250 ton

GROUP 1A: HYDRAULIC CRANE: Hydraulic Operator, 200 tons and

over (with luffing or tower attachment); LATTICE BOOM CRANE: Operator, 200 tons through 299 tons, with over 200 feet boom; FLOATING EQUIPMENT: Floating Crane 250 ton and over

GROUP 1B: LATTICE BOOM CRANE: Operator, 300 tons through 399 tons with over 200 feet boom; Operator 400 tons and over; FLOATING EQUIPMENT: Floating Crane 350 ton and over

GROUP 2: ASPHALT: Asphalt Plant Operator (any type); Roto Mill, pavement profiler, operator, 6 foot lateral cut and over; BLADE: Auto Grader or "Trimmer" (Grade Checker required); Blade Operator, Robotic; BULLDOZERS: Bulldozer operator over 120,000 lbs and above; Bulldozer operator, twin engine; Bulldozer Operator,tandem, quadnine, D10, D11, and similar type; Bulldozere Robotic Equipment (any type; CONCRETE: Batch Plant and/or Wet Mix Operator, one and two drum; Automatic Concrete Slip Form Paver Operator; Concrete Canal Line Operator; Concrete Profiler, Diamond Head; CRANE: Cableway Operator, 25 tons and over; HYDRAULIC CRANE: Hydraulic crane operator 90 tons through 199 tons (without luffing or tower attachment); TOWER/WHIRLEY OPERATOR: Tower Crane Operator; Whirley Operator, under 90 tons; LATTICE BOOM CRANE: 90 through 199 tons and/or 150 to 200 feet boom; CRUSHER: Crusher Plant Operator; FLOATING EQUIPMENT: Floating Clamshell, etc.operator, 3 cu. yds. and over; Floating Crane (derrick barge) Operator, 30 tons but less than 150 tons; LOADERS: Loader operator, 120,000 lbs. and above; REMOTE CONTROL: Remote controlled earth-moving equipment; RUBBER-TIRED SCRAPERS: Rubber-tired scraper operator, with tandem scrapers, multi-engine; SHOVEL, DRAGLINE, CLAMSHELL, SKOOPER OPERATOR: Shovel, Dragline, Clamshell, operator 5 cu. yds and over; TRENCHING MACHINE: Wheel Excavator, under 750 cu. yds. per hour (Grade Oiler required); Canal Trimmer (Grade Oiler required); Wheel Excavator, over 750 cu. yds. per hour; Band Wagon (in conjunction with wheel excavator); UNDERWATER EQUIPMENT: Underwater Equipment Operator, remote or otherwise; HYDRAULIC HOES-EXCAVATOR: Excavator over 130,000 lbs.; HYDRAULIC CRANE: Hydraulic crane operator, 50 tons through 89 tons (with luffing or tower attachment);

GROUP 3: BULLDOZERS: Bulldozer operator, over 70,000 lbs. up to and including 120,000 lbs.; HYDRAULIC CRANE: Hydraulic crane operator, 50 tons through 89 tons (without luffing or tower attachment); LATTICE BOOM CRANES: Lattice Boom Crane-50 through 89 tons (and less than 150 feet boom); FORKLIFT: Rock Hound Operator; HYDRAULIC HOES-EXCAVATOR: excavator over 80,000 lbs. through 130,000 lbs.; LOADERS: Loader operator 60,000 and less than 120,000; RUBBER-TIRED SCRAPERS: Scraper Operator, with tandem scrapers; Self-loading, paddle wheel, auger type, finish and/or 2 or more units; SHOVEL, DRAGLINE, CLAMSHELL,SKOOPER OPERATOR: Shovel, Dragline, Clamshell operators 3 cu. yds. but less

than 5 cu yds.

GROUP 4: ASPHALT: Screed Operator; Asphalt Paver operator (screeman required); BLADE: Blade operator; Blade operator, finish; Blade operator, externally controlled by electronic, mechanical hydraulic means; Blade operator, multi-engine; BULLDOZERS: Bulldozer Operator over 20,000 lbs and more than 100 horse up to 70,000 lbs; Drill Cat Operator; Side-boom Operator; Cable-Plow Operator (any type); CLEARING: Log Skidders; Chippers; Incinerator; Stump Splitter (loader mounted or similar type); Stump Grinder (loader mounted or similar type; Tub Grinder; Land Clearing Machine (Track mounted forestry mowing & grinding machine); Hydro Axe (loader mounted or similar type); COMPACTORS SELF-PROPELLED: Compactor Operator, with blade; Compactor Operator, multi-engine; Compactor Operator, robotic; CONCRETE: Mixer Mobile Operator; Screed Operator; Concrete Cooling Machine Operator; Concrete Paving Road Mixer; Concrete Breaker; Reinforced Tank Banding Machine (K-17 or similar types); Laser Screed; CRANE: Chicago boom and similar types; Lift Slab Machine Operator; Boom type lifting device, 5 ton capacity or less; Hoist Operator, two (2) drum; Hoist Operator, three (3) or more drums; Derrick Operator, under 100 ton; Hoist Operator, stiff leg, guy derrick or similar type, 50 ton and over; Cableway Operator up to twenty (25) ton; Bridge Crane Operator, Locomotive, Gantry, Overhead; Cherry Picker or similar type crane; Carry Deck Operator; Hydraulic Crane Operator, under 50 tons; LATTICE BOOM CRANE OPERATOR: Lattice Boom Crane Operator, under 50 tons; CRUSHER: Generator Operator; Diesel-Electric Engineer; Grizzly Operator; Drill Doctor; Boring Machine Operator; Driller-Percussion, Diamond, Core, Cable, Rotary and similar type; Cat Drill (John Henry); Directional Drill Operator over 20,000 lbs pullback; FLOATING EQUIPMENT: Diesel-electric Engineer; Jack Operator, elevating barges, Barge Operator, self-unloading; Piledriver Operator (not crane type) (Deckhand required); Floating Clamshell, etc. Operator, under 3 cu. yds. (Fireman or Diesel-Electric Engineer required); Floating Crane (derrick barge) Operator, less than 30 tons; GENERATORS: Generator Operator; Diesel-electric Engineer; GUARDRAIL EQUIPMENT: Guardrail Punch Operator (all types); Guardrail Auger Operator (all types); Combination Guardrail machines, i.e., punch auger, etc.; HEATING PLANT: Surface Heater and Planer Operator; HYDRAULIC HOES EXCAVATOR: Robotic Hydraulic backhoe operator, track and wheel type up to and including 20,000 lbs. with any or all attachments; Excavator Operator over 20,000 lbs through 80,000 lbs.; LOADERS: Belt Loaders, Kolman and Ko Cal types; Loaders Operator, front end and overhead, 25,000 lbs and less than 60,000 lbs; Elevating Grader Operator by Tractor operator, Sierra, Euclid or similar types; PILEDRIEVERS: Hammer Operator; Piledriver Operator (not crane type); PIPELINE, SEWER WATER: Pipe Cleaning Machine Operator; Pipe Doping

Machine Operator; Pipe Bending Machine Operator; Pipe Wrapping Machine Operator; Boring Machine Operator; Back Filling Machine Operator; REMOTE CONTROL: Concrete Cleaning Decontamination Machine Operator; Ultra High Pressure Water Jet Cutting Tool System Operator/Mechanic; Vacuum Blasting Machine Operator/mechanic; REPAIRMEN, HEAVY DUTY: Diesel Electric Engineer (Plant or Floating; Bolt Threading Machine operator; Drill Doctor (Bit Grinder); H.D. Mechanic; Machine Tool Operator; RUBBER-TIRED SCRAPERS: Rubber-tired Scraper Operator, single engine, single scraper; Self-loading, paddle wheel, auger type under 15 cu. yds.; Rubber-tired Scraper Operator, twin engine; Rubber-tired Scraper Operator, with push-ull attachments; Self Loading, paddle wheel, auger type 15 cu. yds. and over, single engine; Water pulls, water wagons; SHOVEL, DRAGLINE, CLAMSHELL, SKOOPER OPERATOR: Diesel Electric Engineer; Stationary Drag Scraper Operator; Shovel, Dragline, Clamshell, Operator under 3 cy yds.; Grade-all Operator; SURFACE (BASE) MATERIAL: Blade mounted spreaders, Ulrich and similar types; TRACTOR-RUBBERED TIRED: Tractor operator, rubber-tired, over 50 hp flywheel; Tractor operator, with boom attachment; Rubber-tired dozers and pushers (Michigan, Cat, Hough type); Skip Loader, Drag Box; TRENCHING MACHINE: Trenching Machine operator, digging capacity over 3 ft depth; Back filling machine operator; TUNNEL: Mucking machine operator

GROUP 5: ASPHALT: Extrusion Machine Operator; Roller Operator (any asphalt mix); Asphalt Burner and Reconditioner Operator (any type); Roto-Mill, pavement profiler, ground man; BULLDOZERS: Bulldozer operator, 20,000 lbs. or less or 100 horse or less; COMPRESSORS: Compressor Operator (any power), over 1,250 cu. ft. total capacity; COMPACTORS: Compactor Operator, including vibratory; Wagner Pactor Operator or similar type (without blade); CONCRETE: Combination mixer and Compressor Operator, gunite work; Concrete Batch Plant Quality Control Operator; Beltcrete Operator; Pumpcrete Operator (any type); Pavement Grinder and/or Grooving Machine Operator (riding type); Cement Pump Operator, Fuller-Kenyon and similar; Concrete Pump Operator; Grouting Machine Operator; Concrete mixer operator, single drum, under (5) bag capacity; Cast in place pipe laying machine; maginnis Internal Full slab vibrator operator; Concrete finishing machine operator, Clary, Johnson, Bidwell, Burgess Bridge deck or similar type; Curb Machine Operator, mechanical Berm, Curb and/or Curb and Gutter; Concrete Joint Machine Operator; Concrete Planer Operator; Tower Mobile Operator; Power Jumbo Operator setting slip forms in tunnels; Slip Form Pumps, power driven hydraulic lifting device for concrete forms; Concrete Paving Machine Operator; Concrete Finishing Machine Operator; Concrete Spreader Operator; CRANE: Helicopter Hoist Operator; Hoist Operator, single drum; Elevator Operator; A-frame Truck Operator, Double

drum; Boom Truck Operator; HYDRAULIC CRANE OPERATOR: Hydraulic Boom Truck, Pittman; DRILLING: Churm Drill and Earth Boring Machine Operator; Vacuum Truck; Directional Drill Operator over 20,000 lbs pullback; FLOATING EQUIPMENT: Fireman; FORKLIFT: Fork Lift, over 10 ton and/or robotic; HYDRAULIC HOES EXCAVATORS: Hydraulic Backhoe Operator, wheel type (Ford, John Deere, Case type); Hydraulic Backhoe Operator track type up to and including 20,000 lbs.; LOADERS: Loaders, rubber-tired type, less than 25,000 lbs; Elevating Grader Operator, Tractor Towed requiring Operator or Grader; Elevating loader operator, Athey and similar types; OILERS: Service oiler (Greaser); PIPELINE-SEWER WATER: Hydra hammer or simialr types; Pavement Breaker Operator; PUMPS: Pump Operator, more than 5 (any size); Pot Rammer Operator; RAILROAD EQUIPMENT: Locomotive Operator, under 40 tons; Ballast Regulator Operator; Ballast Tamper Multi-Purpose Operator; Track Liner Operator; Tie Spacer Operator; Shuttle Car Operator; Locomotive Operator, 40 tons and over; MATERIAL HAULRS: Cat wagon DJBs Volvo similar types; Conveyored material hauler; SURFACING (BASE) MATERIAL: Rock Spreaders, self-propelled; Pulva-mixer or similar types; Chiip Spreading machine operator; Lime spreading operator, construction job siter; SWEEPERS: Sweeper operator (Wayne type) self-propelled construction job site; TRACTOR-RUBBER TIRED: Tractor operator, rubber-tired, 50 hp flywheel and under; Trenching machine operator, maximum digging capacity 3 ft depth; TUNNEL: Dinkey

GROUP 6: ASPHALT: Plant Oiler; Plant Fireman; Pugmill Operator (any type); Truck mounted asphalt spreader, with screed; COMPRESSORS: Compressor Operator (any power), under 1,250 cu. ft. total capacity; CONCRETE: Plant Oiler, Assistant Conveyor Operator; Conveyor Operator; Mixer Box Operator (C.T.B., dry batch, etc.); Cement Hog Operator; Concrete Saw Operator; Concrete Curing Machine Operator (riding type); Wire Mat or Brooming Machine Operator; CRANE: Oiler; Fireman, all equipment; Truck Crane Oiler Driver; A-frame Truck Operator, single drum; Tugger or Coffin Type Hoist Operator; CRUSHER: Crusher Oiler; Crusher Feederman; CRUSHER: Crusher oiler; Crusher feederman; DRILLING: Drill Tender; Auger Oiler; FLOATING EQUIPMENT: Deckhand; Boatman; FORKLIFT: Self-propelled Scaffolding Operator, construction job site (exclduing working platform); Fork Lift or Lumber Stacker Operator, construction job site; Ross Carrier Operator, construction job site; Lull Hi-Lift Operator or Similar Type; GUARDRAIL EQUIPMENT: Oiler; Auger Oiler; Oiler, combination guardrail machines; Guardrail Punch Oiler; HEATING PLANT: Temporary Heating Plant Operator; LOADERS: Bobcat, skid steer (less than 1 cu yd.); Bucket Elevator Loader Operator, BarberGreene and similar types; OILERS: Oiler; Guardrail Punch Oiler; Truck Crane Oiler-Driver; Auger Oiler; Grade Oiler, required to check grade; Grade Checker; Rigger;

PIPELINE-SEWER WATER: Tar Pot Fireman; Tar Pot Fireman (power agitated); PUMPS: Pump Operator (any power); Hydrostatic Pump Operator; RAILROAD EQUIPMENT: Brakeman; Oiler; Switchman; Motorman; Ballast Jack Tamper Operator; SHOVEL, DRAGLINE, CLAMSHELL, SKOOPER, ETC. OPERATOR: Oiler, Grade Oiler (required to check grade); Grade Checker; Fireman; SWEEPER: Broom operator, self propelled, construction job site; SURFACING (BASE) MATERIAL: Roller Operator, grading of base rock (not asphalt); Tamping Machine operator, mechanical, self-propelled; Hydrographic Seeder Machine Operator; TRENCHING MACHINE: Oiler; Grade Oiler; TUNNEL: Conveyor operator; Air filtration equipment operator

 * ENGI0701-003 01/01/2009

CLARK, COWLITZ, KLUCKITAT, PACIFIC (SOUTH), SKAMANIA, AND WAHIAKUM COUNTIES

DREDGING:

Rates Fringes

Dredging:

ZONE A

ASSISTANT ENGINEER.....	\$ 37.30	10.80
ASSISTANT MATE.....	\$ 32.96	10.80
LEVERMAN, DIPPER, FLOATING CLAMSHELL.....	\$ 39.88	10.80
LEVERMAN, HYDRAULIC.....	\$ 39.88	10.80
TENDERMAN.....	\$ 36.12	10.80

ZONE B

ASSISTANT ENGINEER.....	\$ 39.80	10.80
ASSISTANT MATE.....	\$ 35.46	10.80
LEVERMAN, DIPPER, FLOATING CLAMSHELL.....	\$ 42.38	10.80
LEVERMAN, HYDRAULIC.....	\$ 42.38	10.80
TENDERMAN.....	\$ 38.62	10.80

ZONE C

ASSISTANT ENGINEER.....	\$ 41.30	10.80
ASSISTANT MATE.....	\$ 36.96	10.80
LEVERMAN, DIPPER, FLOATING CLAMSHELL.....	\$ 43.88	10.80
LEVERMAN, HYDRAULIC.....	\$ 43.88	10.80
TENDERMAN.....	\$ 40.12	10.80

ZONE DESCRIPTION FOR DREDGING:

ZONE A - All jobs or projects located within 30 road miles of Portland City Hall.

ZONE B - Over 30-60 road miles from Portland City Hall.

ZONE C - Over 60 road miles from Portland City Hall.

*All jobs or projects shall be computed from the city hall by the shortest route to the geographical center of the project.

IRON0014-005 07/01/2008

ADAMS, ASOTIN, BENTON, COLUMBIA, DOUGLAS, FERRY, FRANKLIN, GARFIELD, GRANT, LINCOLN, OKANOGAN, PEND ORIELLE, SPOKANE, STEVENS, WALLA WALLA AND WHITMAN COUNTIES

	Rates	Fringes
IRONWORKER.....	\$ 29.52	17.87

IRON0029-002 07/01/2008

CLARK, COWLITZ, KLUCKITAT, PACIFIC, SKAMANIA, AND WAHKAIKUM COUNTIES

	Rates	Fringes
IRONWORKER.....	\$ 31.65	17.87

IRON0086-002 07/01/2008

YAKIMA, KITTITAS AND CHELAN COUNTIES

	Rates	Fringes
IRONWORKER.....	\$ 30.00	17.87

IRON0086-004 07/01/2008

CLALLAM, GRAYS HARBOR, ISLAND, JEFFERSON, KING, KITSAP, LEWIS, MASON, PIERCE, SKAGIT, SNOHOMISH, THURSTON, AND WHATCOM COUNTIES

	Rates	Fringes
IRONWORKER.....	\$ 34.40	17.87

LABO0001-002 06/01/2008

ZONE 1:

	Rates	Fringes
--	-------	---------

Laborers:

CALLAM, GRAYS HARBOR, ISLAND, JEFFERSON, KING, KITSAP, LEWIS, MASON, PACIFIC (NORTH OF STRAIGHT

LINE MADE BY EXTENDING THE
 NORTH BOUNDARY WAHKIAKUM
 COUNTY WEST TO THE PACIFIC
 OCEAN), PIERCE, SAN JUAN,
 SKAGIT, SNOHOMISH,
 THURSTON AND WHATCOM
 COUNTIES

GROUP 1.....	\$ 21.19	8.46
GROUP 2.....	\$ 24.01	8.46
GROUP 3.....	\$ 29.66	8.46
GROUP 4.....	\$ 30.37	8.46
GROUP 5.....	\$ 30.85	8.46

CHELAN, DOUGLAS (WEST OF
 THE 120TH MERIDIAN),
 KITTITAS AND YAKIMA
 COUNTIES

GROUP 1.....	\$ 17.45	8.46
GROUP 2.....	\$ 19.97	8.46
GROUP 3.....	\$ 21.85	8.46
GROUP 4.....	\$ 22.37	8.46
GROUP 5.....	\$ 22.76	8.46

ZONE DIFFERENTIAL (ADD TO ZONE 1 RATES):

ZONE 2 - \$.70
 ZONE 3 - \$1.00

BASE POINTS: CHELAN, SUNNYSIDE, WENATCHEE, AND YAKIMA

- ZONE 1 - Projects within 25 radius miles of the respective city hall
- ZONE 2 - More than 25 but less than 45 radius miles from the respective city hall
- ZONE 3 - More than 45 radius miles from the respective city hall

BASE POINTS: BELLINGHAM, MT. VERNON, EVERETT, SEATTLE, KENT, TACOMA, OLYMPIA, CENTRALIA, ABERDEEN, SHELTON, PT. TOWNSEND, PT. ANGELES, AND BREMERTON

- ZONE 1 - Projects within 25 radius miles of the respective city hall
- ZONE 2 - More than 25 but less than 45 radius miles from the respective city hall
- ZONE 3 - More than 45 radius miles from the respective city hall

LABORERS CLASSIFICATIONS

GROUP 1: Landscaping and Planting; Watchman; Window Washer/Cleaner (detail clean-up, such as but not limited to cleaning floors, ceilings, walls, windows, etc., prior to final acceptance by the owner)

GROUP 2: Batch Weighman; Crusher Feeder; Fence Laborer;

Flagman; Pilot Car

GROUP 3: General Laborer; Air, Gas, or Electric Vibrating
Screed; Asbestos Abatement Laborer; Ballast Regulator
Machine; Brush Cutter; Brush Hog Feeder; Burner; Carpenter
Tender; Cement Finisher Tender; Change House or Dry Shack;
Chipping Gun (under 30 lbs.); Choker Setter; Chuck Tender;
Clean-up Laborer; Concrete Form Stripper; Curing Laborer;
Demolition (wrecking and moving including charred
material); Ditch Digger; Dump Person; Fine Graders;
Firewatch; Form Setter; Gabian Basket Builders; Grout
Machine Tender; Grinders; Guardrail Erector; Hazardous
Waste Worker (Level C); Maintenance Person; Material Yard
Person; Pot Tender; Rip Rap Person; Riggers; Scale Person;
Sloper Sprayer; Signal Person; Stock Piler; Stake Hopper;
Toolroom Man (at job site); Topper-Tailer; Track Laborer;
Truck Spotter; Vinyl Seamer

GROUP 4: Cement Dumper-Paving; Chipping Gun (over 30 lbs.);
Clary Power Spreader; Concrete Dumper/Chute Operator;
Concrete Saw Operator; Drill Operator (hydraulic, diamond,
aiartrac); Faller and Bucker Chain Saw; Grade Checker and
Transit Person; Groutmen (pressure) including post tension
beams; Hazardous Waste Worker (Level B); High Scaler;
Jackhammer; Laserbeam Operator; Manhole Builder-Mudman;
Nozzleman (concrete pump, green cutter when using
combination of high pressure air and water on concrete and
rock, sandblast, gunite, shotcrete, water blaster, vacuum
blaster); Pavement Breaker; Pipe Layer and Caulker; Pipe
Pot Tender; Pipe Reliner (not insert type); Pipe Wrapper;
Power Jacks; Railroad Spike Puller-Power; Raker-Asphalt;
Rivet Buster; Rodder; Sloper (over 20 ft); Spreader
(concrete); Tamper and Similar electric, air and glas
operated tool; Timber Person-sewer (lagger shorer and
cribber); Track Liner Power; Tugger Operator; Vibrator;
Well Point Laborer

GROUP 5: Caisson Worker; Miner; Mortarman and Hodcarrier;
Powderman; Re-Timberman; Hazardous Waste Worker (Level A).

LABO0238-004 06/01/2008

ADAMS, ASOTIN, BENTON, COLUMBIA, DOUGLAS (EAST OF THE 120TH
MERIDIAN), FERRY, FRANKLIN, GARFIELD, GRANT, LINCOLN, OKANOGAN,
PEND OREILLE, STEVENS, SPOKANE, WALLA WALLA AND WHITMAN COUNTIES

Rates Fringes

Laborers:

ZONE 1:

GROUP 1.....	\$ 20.56	7.70
GROUP 2.....	\$ 22.66	7.70
GROUP 3.....	\$ 22.93	7.70

GROUP 4.....	\$ 23.20	7.70
GROUP 5.....	\$ 23.48	7.70
GROUP 6.....	\$ 24.85	7.70

Zone Differential (Add to Zone 1 rate): \$2.00

BASE POINTS: Spokane, Pasco, Lewiston

Zone 1: 0-45 radius miles from the main post office.

Zone 2: 45 radius miles and over from the main post office.

LABORERS CLASSIFICATIONS

GROUP 1: Flagman; Landscape Laborer; Scaleman; Traffic Control Maintenance Laborer (to include erection and maintenance of barricades, signs and relief of flagperson); Window Washer/Cleaner (detail cleanup, such as, but not limited to cleaning floors, ceilings, walls, windows, etc. prior to final acceptance by the owner)

GROUP 2: Asbestos Abatement Worker; Brush Hog Feeder; Carpenter Tender; Cement Handler; Clean-up Laborer; Concrete Crewman (to include stripping of forms, hand operating jacks on slip form construction, application of concrete curing compounds, pumpcrete machine, signaling, handling the nozzle of squeezecrete or similar machine, 6 inches and smaller); Confined Space Attendant; Concrete Signalman; Crusher Feeder; Demolition (to include clean-up, burning, loading, wrecking and salvage of all material); Dumpman; Fence Erector; Firewatch; Form Cleaning Machine Feeder, Stacker; General Laborer; Grout Machine Header Tender; Guard Rail (to include guard rails, guide and reference posts, sign posts, and right-of-way markers); Hazardous Waste Worker, Level D (no respirator is used and skin protection is minimal); Miner, Class "A" (to include all bull gang, concrete crewman, dumpman and pumpcrete crewman, including distributing pipe, assembly & dismantle, and nipper); Nipper; Riprap Man; Sandblast Tailhoseman; Scaffold Erector (wood or steel); Stake Jumper; Structural Mover (to include separating foundation, preparation, cribbing, shoring, jacking and unloading of structures); Tailhoseman (water nozzle); Timber Bucker and Faller (by hand); Track Laborer (RR); Truck Loader; Well-Point Man; All Other Work Classifications Not Specially Listed Shall Be Classified As General Laborer

GROUP 3: Asphalt Raker; Asphalt Roller, walking; Cement Finisher Tender; Concrete Saw, walking; Demolition Torch; Dope Pot Firemen, non-mechanical; Driller Tender (when required to move and position machine); Form Setter, Paving; Grade Checker using level; Hazardous Waste Worker, Level C (uses a chemical "splash suit" and air purifying respirator); Jackhammer Operator; Miner, Class "B" (to

include brakeman, finisher, vibrator, form setter);
 Nozzleman (to include squeeze and flo-crete nozzle);
 Nozzleman, water, air or steam; Pavement Breaker (under 90 lbs.); Pipelayer, corrugated metal culvert; Pipelayer, multi-plate; Pot Tender; Power Buggy Operator; Power Tool Operator, gas, electric, pneumatic; Railroad Equipment, power driven, except dual mobile power spiker or puller; Railroad Power Spiker or Puller, dual mobile; Rodder and Spreader; Tamper (to include operation of Barco, Essex and similar tampers); Trencher, Shawnee; Tugger Operator; Wagon Drills; Water Pipe Liner; Wheelbarrow (power driven)

GROUP 4: Air and Hydraulic Track Drill; Brush Machine (to include horizontal construction joint cleanup brush machine, power propelled); Caisson Worker, free air; Chain Saw Operator and Faller; Concrete Stack (to include laborers when laborers working on free standing concrete stacks for smoke or fume control above 40 feet high); Gunitite (to include operation of machine and nozzle); Hazardous Waste Worker, Level B (uses same respirator protection as Level A. A supplied air line is provided in conjunction with a chemical "splash suit"); High Scaler; Laser Beam Operator (to include grade checker and elevation control); Miner, Class C (to include miner, nozzleman for concrete, laser beam operator and rigger on tunnels); Monitor Operator (air track or similar mounting); Mortar Mixer; Nozzleman (to include jet blasting nozzleman, over 1,200 lbs., jet blast machine power propelled, sandblast nozzle); Pavement Breaker (90 lbs. and over); Pipelayer (to include working topman, caulker, collarman, jointer, mortarman, rigger, jacker, shorer, valve or meter installer); Pipewrapper; Plasterer Tender; Vibrators (all)

GROUP 5 - Drills with Dual Masts; Hazardous Waste Worker, Level A (utilizes a fully encapsulated suit with a self-contained breathing apparatus or a supplied air line); Miner Class "D", (to include raise and shaft miner, laser beam operator on riases and shafts)

GROUP 6 - Powderman

 LABO0238-006 06/01/2008

COUNTIES EAST OF THE 120TH MERIDIAN: ADAMS, ASOTIN, BENTON, CHELAN, COLUMBIA, DOUGLAS, FERRY, FRANKLIN, GARFIELD, GRANT, LINCOLN, OKANOGAN, PEND OREILLE, STEVENS, SPOKANE, WALLA WALLA, WHITMAN

	Rates	Fringes
Hod Carrier.....	\$ 24.10	7.70

 LABO0335-001 06/01/2008

CLARK, COWLITZ, KLICKITAT, PACIFIC (SOUTH OF A STRAIGHT LINE
MADE BY EXTENDING THE NORTH BOUNDARY LINE OF WAHKIAKUM COUNTY
WEST TO THE PACIFIC OCEAN), SKAMANIA AND WAHKIAKUM COUNTIES

Rates Fringes

Laborers:

ZONE 1:

GROUP 1.....	\$ 27.46	8.40
GROUP 2.....	\$ 28.06	8.40
GROUP 3.....	\$ 28.50	8.40
GROUP 4.....	\$ 28.88	8.40
GROUP 5.....	\$ 24.96	8.40
GROUP 6.....	\$ 22.54	8.40
GROUP 7.....	\$ 19.34	8.40

Zone Differential (Add to Zone 1 rates):

- Zone 2 \$ 0.65
- Zone 3 - 1.15
- Zone 4 - 1.70
- Zone 5 - 2.75

BASE POINTS: GOLDENDALE, LONGVIEW, AND VANCOUVER

ZONE 1: Projects within 30 miles of the respective city all.

ZONE 2: More than 30 miles but less than 40 miles from the respective city hall.

ZONE 3: More than 40 miles but less than 50 miles from the respective city hall.

ZONE 4: More than 50 miles but less than 80 miles from the respective city hall.

ZONE 5: More than 80 miles from the respective city hall.

LABORERS CLASSIFICATIONS

GROUP 1: Asphalt Plant Laborers; Asphalt Spreaders; Batch Weighman; Broomers; Brush Burners and Cutters; Car and Truck Loaders; Carpenter Tender; Change-House Man or Dry Shack Man; Choker Setter; Clean-up Laborers; Curing, Concrete; Demolition, Wrecking and Moving Laborers; Dumpers, road oiling crew; Dumpmen (for grading crew); Elevator Feeders; Guard Rail, Median Rail Reference Post, Guide Post, Right of Way Marker; Fine Graders; Fire Watch; Form Strippers (not swinging stages); General Laborers; Hazardous Waste Worker; Leverman or Aggregate Spreader (Flaherty and similar types); Loading Spotters; Material Yard Man (including electrical); Pittsburgh Chipper Operator or Similar Types; Railroad Track Laborers; Ribbon Setters (including steel forms); Rip Rap Man (hand placed); Road Pump Tender; Sewer Labor; Signalman; Skipman; Slopers; Spraymen; Stake Chaser; Stockpiler; Tie Back Shoring;

Timber Faller and Bucker (hand labor); Toolroom Man (at job site); Tunnel Bullgang (above ground); Weight-Man- Crusher (aggregate when used)

GROUP 2: Applicator (including pot power tender for same), applying protective material by hand or nozzle on utility lines or storage tanks on project; Brush Cutters (power saw); Burners; Choker Splicer; Clary Power Spreader and similar types; Clean- up Nozzleman-Green Cutter (concrete, rock, etc.); Concrete Power Buggyman; Concrete Laborer; Crusher Feeder; Demolition and Wrecking Charred Materials; Gunitite Nozzleman Tender; Gunitite or Sand Blasting Pot Tender; Handlers or Mixers of all Materials of an irritating nature (including cement and lime); Tool Operators (includes but not limited to: Dry Pack Machine; Jackhammer; Chipping Guns; Paving Breakers); Pipe Doping and Wrapping; Post Hole Digger, air, gas or electric; Vibrating Screed; Tampers; Sand Blasting (Wet); Stake-Setter; Tunnel-Muckers, Brakemen, Concrete Crew, Bullgang (underground)

GROUP 3: Asbestos Removal; Bit Grinder; Drill Doctor; Drill Operators, air tracks, cat drills, wagon drills, rubber-mounted drills, and other similar types including at crusher plants; Gunitite Nozzleman; High Scalars, Strippers and Drillers (covers work in swinging stages, chairs or belts, under extreme conditions unusual to normal drilling, blasting, barring-down, or sloping and stripping); Manhole Builder; Powdermen; Concrete Saw Operator; Pwdermen; Power Saw Operators (Bucking and Falling); Pumpcrete Nozzlemen; Sand Blasting (Dry); Sewer Timberman; Track Liners, Anchor Machines, Ballast Regulators, Multiple Tampers, Power Jacks, Tugger Operator; Tunnel-Chuck Tenders, Nippers and Timbermen; Vibrator; Water Blaster

GROUP 4: Asphalt Raker; Concrete Saw Operator (walls); Concrete Nozzelman; Grade Checker; Pipelayer; Laser Beam (pipelaying)-applicable when employee assigned to move, set up, align; Laser Beam; Tunnel Miners; Motorman-Dinky Locomotive-Tunnel; Powderman-Tunnel; Shield Operator-Tunnel

GROUP 5: Traffic Flaggers

GROUP 6: Fence Builders

GROUP 7: Landscaping or Planting Laborers

LABO0335-010 06/01/2008

Rates Fringes

Hod Carrier.....\$ 29.58 8.40

PAIN0005-002 06/01/2008

STATEWIDE EXCEPT CLARK, COWLITZ, KLUCKITAT, PACIFIC (SOUTH),
SKAMANIA, AND WAHIAKUM COUNTIES

Rates Fringes

Painters:

STRIPERS.....\$ 26.50 11.40

PAIN0005-004 07/01/2007

CLALLAM, GRAYS HARBOR, ISLAND, JEFFERSON, KING, KITSAP, LEWIS,
MASON, PIERCE, SAN JUAN, SKAGIT, SNOHOMISH, THURSTON AND
WHATCOM COUNTIES

Rates Fringes

PAINTER.....\$ 19.91 6.85

* PAIN0005-006 07/01/2008

ADAMS, ASOTIN; BENTON AND FRANKLIN (EXCEPT HANFORD SITE);
CHELAN, COLUMBIA, DOUGLAS, FERRY, GARFIELD, GRANT, KITTITAS,
LINCOLN, OKANOGAN, PEND OREILLE, SPOKANE, STEVENS, WALLA WALLA,
WHITMAN AND YAKIMA COUNTIES

Rates Fringes

Painters:

Application of Cold Tar
Products, Epoxies, Polyure
thanes, Acids, Radiation
Resistant Material, Water
and Sandblasting, Bridges,
Towers, Tanks, Stacks,
Steeple.....\$ 20.84 7.88
Over 30'/Swing Stage Work..\$ 21.54 7.88
Brush, Roller, Striping,
Steam-cleaning and Spray....\$ 15.09 6.68
Lead Abatement, Asbestos
Abatement.....\$ 20.84 7.88
TV Radio, Electrical
Transmission Towers.....\$ 21.59 7.88
Over 30'/Swing Stage Work..\$ 22.29 7.88

*\$.70 shall be paid over and above the basic wage rates
listed for work on swing stages and high work of over 30
feet.

PAIN0055-002 10/01/2008

CLARK, COWLITZ, KLICKITAT, PACIFIC, SKAMANIA, AND WAHKIAKUM COUNTIES

Rates Fringes

Painters:

Brush & Roller.....	\$ 19.69	7.14
High work - All work 60 ft. or higher.....	\$ 20.44	7.14
Spray and Sandblasting.....	\$ 20.29	7.14

PAIN0055-007 06/01/2007

CLARK, COWLITZ, KLICKITAT, SKAMANIA and WAHKIAKUM COUNTIES

Rates Fringes

Painters:

HIGHWAY & PARKING LOT STRIPER.....	\$ 28.27	8.27
---------------------------------------	----------	------

PLAS0072-004 06/01/2007

ADAMS, ASOTIN, BENTON, CHELAN, COLUMBIA, DOUGLAS, FERRY, FRANKLIN, GARFIELD, GRANT, KITTITAS, LINCOLN, OKANOGAN, PEND OREILLE, SPOKANE, STEVENS, WALLA WALLA, WHITMAN, AND YAKIMA COUNTIES

Rates Fringes

CEMENT MASON/CONCRETE FINISHER

ZONE 1:.....	\$ 24.68	7.98
--------------	----------	------

Zone Differential (Add to Zone 1 rate): Zone 2 - \$2.00

BASE POINTS: Spokane, Pasco, Moses Lake, Lewiston

Zone 1: 0 - 45 radius miles from the main post office

Zone 2: Over 45 radius miles from the main post office

PLAS0528-001 06/01/2008

CLALLAM, COWLITZ, GRAYS HARBOR, ISLAND, JEFFERSON, KING, KITSAP, LEWIS, MASON, PACIFIC, PIERCE, SAN JUAN, SKAGIT, SNOHOMISH, THURSTON, WAHKIAKUM AND WHATCOM COUNTIES

Rates Fringes

Cement Masons:

CEMENT MASON.....	\$ 34.68	12.13
COMPOSITION, COLOR MASTIC, TROWEL MACHINE, GRINDER,		

POWER TOOLS, GUNNITE NOZZLE..\$ 35.18	12.13
TROWLING MACHINE OPERATOR ON COLORED SLABS, COMPOSITION OR KALMAN FLOORS.....\$ 36.18	12.13

 PLAS0555-002 06/01/2008

CLARK, KLICKITAT AND SKAMANIA COUNTIES

ZONE 1:

Rates	Fringes
-------	---------

Cement Masons:

CEMENT MASONS DOING BOTH COMPOSITION/POWER MACHINERY AND SUSPENDED/HANGING SCAFFOLD..\$ 27.87	14.83
CEMENT MASONS ON SUSPENDED, SWINGING AND/OR HANGING SCAFFOLD.....\$ 27.34	14.83
CEMENT MASONS.....\$ 26.80	14.83
COMPOSITION WORKERS AND POWER MACHINERY OPERATORS...\$ 27.34	14.83

Zone Differential (Add To Zone 1 Rates):

Zone 2 - \$0.65
 Zone 3 - 1.15
 Zone 4 - 1.70
 Zone 5 - 3.00

BASE POINTS: BEND, CORVALLIS, EUGENE, MEDFORD, PORTLAND,
 SALEM, THE DALLES, VANCOUVER

ZONE 1: Projects within 30 miles of the respective city hall
 ZONE 2: More than 30 miles but less than 40 miles from the
 respective city hall.
 ZONE 3: More than 40 miles but less than 50 miles from the
 respective city hall.
 ZONE 4: More than 50 miles but less than 80 miles from the
 respective city hall.
 ZONE 5: More than 80 miles from the respective city hall

 * PLUM0032-002 01/01/2009

CLALLAM, KING AND JEFFERSON COUNTIES

Rates	Fringes
-------	---------

Plumbers and Pipefitters.....\$ 43.68	18.06
---------------------------------------	-------

 * PLUM0032-003 01/01/2009

CHELAN, KITTITAS (NORTHERN TIP), DOUGLAS (NORTH), AND OKANOGAN (NORTH) COUNTIES

Rates Fringes

Plumbers and Pipefitters.....\$ 31.46 14.61

PLUM0044-003 06/01/2007

ADAMS (NORTHERN PART), ASOTIN (CLARKSTON ONLY), FERRY (EASTERN PART), LINCOLN, PEND ORIELLE, STEVENS, SPOKANE, AND WHITMAN COUNTIES

Rates Fringes

Plumbers and Pipefitters

ADAMS (NORTHERN PART),
ASOTIN (CLARKSTON ONLY),
FERRY (EASTERN PART),
LINCOLN, PEND ORIELLE AND
STEVENS AND SPOKANE
COUNTIES.....\$ 30.14 12.81
WHITMAN COUNTY.....\$ 36.24 12.81

PLUM0082-001 06/01/2007

CLARK (NORTHERN TIP INCLUDING WOODLAND), COWLITZ, GRAYS HARBOR, LEWIS, MASON (EXCLUDING NE SECTION), PACIFIC, PIERCE SKAMANIA, THURSTON AND WAHKIAKUM COUNTIES

Rates Fringes

Plumbers and Pipefitters.....\$ 35.55 15.32

PLUM0265-003 06/01/2007

ISLAND, SKAGIT, SNOHOMISH,SAN JUAN AND WHATCOM COUNTIES

Rates Fringes

Plumbers and Pipefitters.....\$ 35.55 15.32

PLUM0290-003 10/01/2008

CLARK (ALL EXCLUDING NORTHERN TIP INCLUDING CITY OF WOODLAND)

Rates Fringes

Plumbers and Pipefitters.....\$ 35.69 16.99

PLUM0598-005 06/01/2008

ADAMS (SOUTHERN PART), ASOTIN (EXCLUDING THE CITY OF CLARKSTON), BENTON, COLUMBIA, DOUGLAS (EASTERN HALF), FERRY (WESTERN PART), FRANKLIN, GARFIELD, GRANT, KITTITAS (ALL BUT NORTHERN TIP), KLUCKITAT, LINCOLN (WESTERN PART), OKANOGAN (EASTERN), WALLA WALLA AND YAKIMA COUNTIES

	Rates	Fringes
PLUMBER.....	\$ 38.64	19.10

PLUM0631-001 06/01/2007		

MASON (NE SECTION), AND KITSAP COUNTIES

	Rates	Fringes
Plumbers and Pipefitters		
All new construction, additions, and remodeling of commercial building projects such as: cocktail lounges and taverns, professional buildings, medical clinics, retail stores, hotels and motels, restaurants and fast food types, gasoline service stations, and car washes where the plumbing and mechanical cost of the project is less than \$100,000.....	\$ 27.39	11.18
All other work where the plumbing and mechanical cost of the project is \$100,000 and over.....	\$ 34.90	15.32

TEAM0037-002 06/01/2008		

CLARK, COWLITZ, KLUCKITAT, PACIFIC (South of a straight line made by extending the north boundary line of Wahkiakum County west to the Pacific Ocean), SKAMANIA, AND WAHAKIAKUM COUNTIES

	Rates	Fringes
Truck drivers:		
ZONE 1		
GROUP 1.....	\$ 26.40	11.91
GROUP 2.....	\$ 26.52	11.91
GROUP 3.....	\$ 26.65	11.91
GROUP 4.....	\$ 26.91	11.91

GROUP 5.....	\$ 27.13	11.91
GROUP 6.....	\$ 27.29	11.91
GROUP 7.....	\$ 27.49	11.91

Zone Differential (Add to Zone 1 Rates):

- Zone 2 - \$0.65
- Zone 3 - 1.15
- Zone 4 - 1.70
- Zone 5 - 2.75

BASE POINTS: ASTORIA, THE DALLES, LONGVIEW AND VANCOUVER

ZONE 1: Projects within 30 miles of the respective city hall.

ZONE 2: More than 30 miles but less than 40 miles from the respective city hall.

ZONE 3: More than 40 miles but less than 50 miles from the respective city hall.

ZONE 4: More than 50 miles but less than 80 miles from the respective city hall.

ZONE 5: More than 80 miles from the respective city hall.

TRUCK DRIVERS CLASSIFICATIONS

GROUP 1: A Frame or Hydra lift truck w/load bearing surface; Articulated Dump Truck; Battery Rebuilders; Bus or Manhaul Driver; Concrete Buggies (power operated); Concrete Pump Truck; Dump Trucks, side, end and bottom dumps, including Semi Trucks and Trains or combinations there of: up to and including 10 cu. yds.; Lift Jitneys, Fork Lifts (all sizes in loading, unloading and transporting material on job site); Loader and/or Leverman on Concrete Dry Batch Plant (manually operated); Pilot Car; Pickup Truck; Solo Flat Bed and misc. Body Trucks, 0-10 tons; Truck Tender; Truck Mechanic Tender; Water Wagons (rated capacity) up to 3,000 gallons; Transit Mix and Wet or Dry Mix - 5 cu. yds. and under; Lubrication Man, Fuel Truck Driver, Tireman, Wash Rack, Steam Cleaner or combinations; Team Driver; Slurry Truck Driver or Leverman; Tireman

GROUP 2: Boom Truck/Hydra-lift or Retracting Crane; Challenger; Dumpsters or similar equipment all sizes; Dump Trucks/Articulated Dumps 6 cu to 10 cu.; Flaherty Spreader Driver or Leverman; Lowbed Equipment, Flat Bed Semi-trailer or doubles transporting equipment or wet or dry materials; Lumber Carrier, Driver-Straddle Carrier (used in loading, unloading and transporting of materials on job site); Oil Distributor Driver or Leverman; Transit mix and wet or dry mix trucks: over 5 cu. yds. and including 7 cu. yds.; Vacuum Trucks; Water truck/Wagons (rated capacity) over

3,000 to 5,000 gallons

GROUP 3: Ammonia Nitrate Distributor Driver; Dump trucks, side, end and bottom dumps, including Semi Trucks and Trains or combinations thereof: over 10 cu. yds. and including 30 cu. yds. includes Articulated Dump Trucks; Self-Propelled Street Sweeper; Transit mix and wet or dry mix truck: over 7 cu yds. and including 11 cu yds.; Truck Mechanic-Welder-Body Repairman; Utility and Clean-up Truck; Water Wagons (rated capacity) over 5,000 to 10,000 gallons

GROUP 4: Asphalt Burner; Dump Trucks, side, end and bottom cumps, including Semi-Trucks and Trains or combinations thereof: over 30 cu. yds. and including 50 cu. yds. includes Articulated Dump Trucks; Fire Guard; Transit Mix and Wet or Dry Mix Trucks, over 11 cu. yds. and including 15 cu. yds.; Water Wagon (rated capacity) over 10,000 gallons to 15,000 gallons

GROUP 5: Composite Crewman; Dump Trucks, side, end and bottom dumps, including Semi Trucks and Trains or combinations thereof: over 50 cu. yds. and including 60 cu. yds. includes Articulated Dump Trucks

GROUP 6: Bulk Cement Spreader w/o Auger; Dry Pre-Batch concrete Mix Trucks; Dump trucks, side, end and bottom dumps, including Semi Trucks and Trains of combinations thereof: over 60 cu. yds. and including 80 cu. yds., and includes Articulated Dump Trucks; Skid Truck

GROUP 7: Dump Trucks, side, end and bottom dumps, including Semi Trucks and Trains or combinations thereof: over 80 cu. yds. and including 100 cu. yds., includes Articulated Dump Trucks; Industrial Lift Truck (mechanical tailgate)

* TEAM0174-001 06/01/2008

CLALLAM, GRAYS HARBOR, ISLAND, JEFFERSON, KING, KITSAP, LEWIS, MASON, PACIFIC (North of a straight line made by extending the north boundary line of Wahkiakum County west to the Pacific Ocean), PIERCE, SAN JUAN, SKAGIT, SNOHOMISH, THURSTON AND WHATCOM COUNTIES

Rates Fringes

Truck drivers:

ZONE A:

GROUP 1:.....	\$ 31.37	12.88
GROUP 2:.....	\$ 30.57	12.88
GROUP 3:.....	\$ 27.90	12.88
GROUP 4:.....	\$ 23.17	12.88
GROUP 5:.....	\$ 30.95	12.88

ZONE B (25-45 miles from center of listed cities*): Add \$.70 per hour to Zone A rates.

ZONE C (over 45 miles from center of listed cities*): Add \$1.00 per hour to Zone A rates.

*Zone pay will be calculated from the city center of the following listed cities:

BELLINGHAM CENTRALIA RAYMOND OLYMPIA
EVERETT SHELTON ANACORTES BELLEVUE
SEATTLE PORT ANGELES MT. VERNON KENT
TACOMA PORT TOWNSEND ABERDEEN BREMERTON

TRUCK DRIVERS CLASSIFICATIONS

GROUP 1 - "A-frame or Hydralift" trucks and Boom trucks or similar equipment when "A" frame or "Hydralift" and Boom truck or similar equipment is used; Buggymobile; Bulk Cement Tanker; Dumpsters and similar equipment, Tournorockers, Tournowagon, Tournotrailer, Cat DW series, Terra Cobra, Le Tourneau, Westinghouse, Athye Wagon, Euclid Two and Four-Wheeled power tractor with trailer and similar top-loaded equipment transporting material: Dump Trucks, side, end and bottom dump, including semi-trucks and trains or combinations thereof with 16 yards to 30 yards capacity: Over 30 yards \$.15 per hour additional for each 10 yard increment; Explosive Truck (field mix) and similar equipment; Hyster Operators (handling bulk loose aggregates); Lowbed and Heavy Duty Trailer; Road Oil Distributor Driver; Spreader, Flaherty Transit mix used exclusively in heavy construction; Water Wagon and Tank Truck-3,000 gallons and over capacity

GROUP 2 - Bulllifts, or similar equipment used in loading or unloading trucks, transporting materials on job site; Dumpsters, and similar equipment, Tournorockers, Tournowagon, Turnotrailer, Cat. D.W. Series, Terra Cobra, Le Tourneau, Westinghouse, Athye wagon, Euclid two and four-wheeled power tractor with trailer and similar top-loaded equipment transporting material: Dump trucks, side, end and bottom dump, including semi-trucks and trains or combinations thereof with less than 16 yards capacity; Flatbed (Dual Rear Axle); Grease Truck, Fuel Truck, Greaser, Battery Service Man and/or Tire Service Man; Leverman and loader at bunkers and batch plants; Oil tank transport; Scissor truck; Slurry Truck; Sno-Go and similar equipment; Swampers; Straddler Carrier (Ross, Hyster) and similar equipment; Team Driver; Tractor (small, rubber-tired)(when used within Teamster jurisdiction); Vacuum truck; Water Wagon and Tank trucks-less than 3,000 gallons capacity; Winch Truck; Wrecker, Tow truck and similar equipment

GROUP 3 - Flatbed (single rear axle); Pickup Sweeper; Pickup

Truck. (Adjust Group 3 upward by \$2.00 per hour for onsite work only)

GROUP 4 - Escort or Pilot Car

GROUP 5 - Mechanic

HAZMAT PROJECTS

Anyone working on a HAZMAT job, where HAZMAT certification is required, shall be compensated as a premium, in addition to the classification working in as follows:

LEVEL C: +\$.25 per hour - This level uses an air purifying respirator or additional protective clothing.

LEVEL B: +\$.50 per hour - Uses same respirator protection as Level A. Supplied air line is provided in conjunction with a chemical "splash suit."

LEVEL A: +\$.75 per hour - This level utilizes a fully-encapsulated suit with a self-contained breathing apparatus or a supplied air line.

TEAM0760-002 06/01/2008

ADAMS, ASOTIN, BENTON, CHELAN, COLUMBIA, DOUGLAS, FERRY, FRANKLIN, GARFIELD, GRANT KITTITAS, LINCOLN, OKANOGAN, PEND OREILLE, SPOKANE, STEVENS, WALLA WALLA, WHITMAN AND YAKIMA COUNTIES

Rates Fringes

Truck drivers: (ANYONE WORKING ON HAZMAT JOBS SEE FOOTNOTE A BELOW)

ZONE 1:

GROUP 1.....	\$ 20.02	11.05
GROUP 2.....	\$ 22.29	11.05
GROUP 3.....	\$ 22.79	11.05
GROUP 4.....	\$ 23.12	11.05
GROUP 5.....	\$ 23.23	11.05
GROUP 6.....	\$ 23.40	11.05
GROUP 7.....	\$ 23.93	11.05
GROUP 8.....	\$ 24.26	11.05

Zone Differential (Add to Zone 1 rate: Zone 2 - \$2.00)

BASE POINTS: Spokane, Moses Lake, Pasco, Lewiston

Zone 1: 0-45 radius miles from the main post office.

Zone 2: Outside 45 radius miles from the main post office

TRUCK DRIVERS CLASSIFICATIONS

GROUP 1: Escort Driver or Pilot Car; Employee Haul; Power

Boat Hauling Employees or Material

GROUP 2: Fish Truck; Flat Bed Truck; Fork Lift (3000 lbs. and under); Leverperson (loading trucks at bunkers); Trailer Mounted Hydro Seeder and Mulcher; Seeder & Mulcher; Stationary Fuel Operator; Tractor (small, rubber-tired, pulling trailer or similar equipment)

GROUP 3: Auto Crane (2000 lbs. capacity); Buggy Mobile & Similar; Bulk Cement Tanks & Spreader; Dumptor (6 yds. & under); Flat Bed Truck with Hydraulic System; Fork Lift (3001-16,000 lbs.); Fuel Truck Driver, Steamcleaner & Washer; Power Operated Sweeper; Rubber-tired Tunnel Jumbo; Scissors Truck; Slurry Truck Driver; Straddle Carrier (Ross, Hyster, & similar); Tireperson; Transit Mixers & Truck Hauling Concrete (3 yd. to & including 6 yds.); Trucks, side, end, bottom & articulated end dump (3 yards to and including 6 yds.); Warehouseperson (to include shipping & receiving); Wrecker & Tow Truck

GROUP 4: A-Frame; Burner, Cutter, & Welder; Service Greaser; Trucks, side, end, bottom & articulated end dump (over 6 yards to and including 12 yds.); Truck Mounted Hydro Seeder; Warehouseperson; Water Tank truck (0-8,000 gallons)

GROUP 5: Dumptor (over 6 yds.); Lowboy (50 tons & under); Self-loading Roll Off; Semi-Truck & Trailer; Tractor with Steer Trailer; Transit Mixers and Trucks Hauling Concrete (over 6 yds. to and including 10 yds.); Trucks, side, end, bottom and end dump (over 12 yds. to & including 20 yds.); Truck-Mounted Crane (with load bearing surface either mounted or pulled, up to 14 ton); Vacuum Truck (super sucker, guzzler, etc.)

GROUP 6: Flaherty Spreader Box Driver; Flowboys; Fork Lift (over 16,000 lbs.); Dumps (Semi-end); Mechanic (Field); Semi-end Dumps; Transfer Truck & Trailer; Transit Mixers & Trucks Hauling Concrete (over 10 yds. to & including 20 yds.); Trucks, side, end, bottom and articulated end dump (over 20 yds. to & including 40 yds.); Truck and Pup; Tournarocker, DWs & similar with 2 or more 4 wheel-power tractor with trailer, gallonage or yardage scale, whichever is greater Water Tank Truck (8,001- 14,000 gallons); Lowboy(over 50 tons)

GROUP 7: Oil Distributor Driver; Stringer Truck (cable operated trailer); Transit Mixers & Trucks Hauling Concrete (over 20 yds.); Truck, side, end, bottom end dump (over 40 yds. to & including 100 yds.); Truck Mounted Crane (with load bearing surface either mounted or pulled (16 through 25 tons);

GROUP 8: Prime Movers and Stinger Truck; Trucks, side, end, bottom and articulated end dump (over 100 yds.); Helicopter

Pilot Hauling Employees or Materials

Footnote A - Anyone working on a HAZMAT job, where HAZMAT certification is required, shall be compensated as a premium, in addition to the classification working in as follows:

LEVEL C-D: - \$.50 PER HOUR (This is the lowest level of protection. This level may use an air purifying respirator or additional protective clothing.

LEVEL A-B: - \$1.00 PER HOUR (Uses supplied air in conjunction with a chemical splash suit or fully encapsulated suit with a self-contained breathing apparatus.

Employees shall be paid Hazmat pay in increments of four(4) and eight(8) hours.

NOTE:

Trucks Pulling Equipment Trailers: shall receive \$.15/hour over applicable truck rate

WELDERS - Receive rate prescribed for craft performing operation to which welding is incidental.
=====

Unlisted classifications needed for work not included within the scope of the classifications listed may be added after award only as provided in the labor standards contract clauses (29CFR 5.5 (a) (1) (ii)).

In the listing above, the "SU" designation means that rates listed under the identifier do not reflect collectively bargained wage and fringe benefit rates. Other designations indicate unions whose rates have been determined to be prevailing.

WAGE DETERMINATION APPEALS PROCESS

1.) Has there been an initial decision in the matter? This can be:

- * an existing published wage determination
- * a survey underlying a wage determination
- * a Wage and Hour Division letter setting forth a position on a wage determination matter
- * a conformance (additional classification and rate) ruling

On survey related matters, initial contact, including requests

for summaries of surveys, should be with the Wage and Hour Regional Office for the area in which the survey was conducted because those Regional Offices have responsibility for the Davis-Bacon survey program. If the response from this initial contact is not satisfactory, then the process described in 2.) and 3.) should be followed.

With regard to any other matter not yet ripe for the formal process described here, initial contact should be with the Branch of Construction Wage Determinations. Write to:

Branch of Construction Wage Determinations
Wage and Hour Division
U.S. Department of Labor
200 Constitution Avenue, N.W.
Washington, DC 20210

2.) If the answer to the question in 1.) is yes, then an interested party (those affected by the action) can request review and reconsideration from the Wage and Hour Administrator (See 29 CFR Part 1.8 and 29 CFR Part 7). Write to:

Wage and Hour Administrator
U.S. Department of Labor
200 Constitution Avenue, N.W.
Washington, DC 20210

The request should be accompanied by a full statement of the interested party's position and by any information (wage payment data, project description, area practice material, etc.) that the requestor considers relevant to the issue.

3.) If the decision of the Administrator is not favorable, an interested party may appeal directly to the Administrative Review Board (formerly the Wage Appeals Board). Write to:

Administrative Review Board
U.S. Department of Labor
200 Constitution Avenue, N.W.
Washington, DC 20210

4.) All decisions by the Administrative Review Board are final.

=====

END OF GENERAL DECISION

</PRE></BODY></HTML>