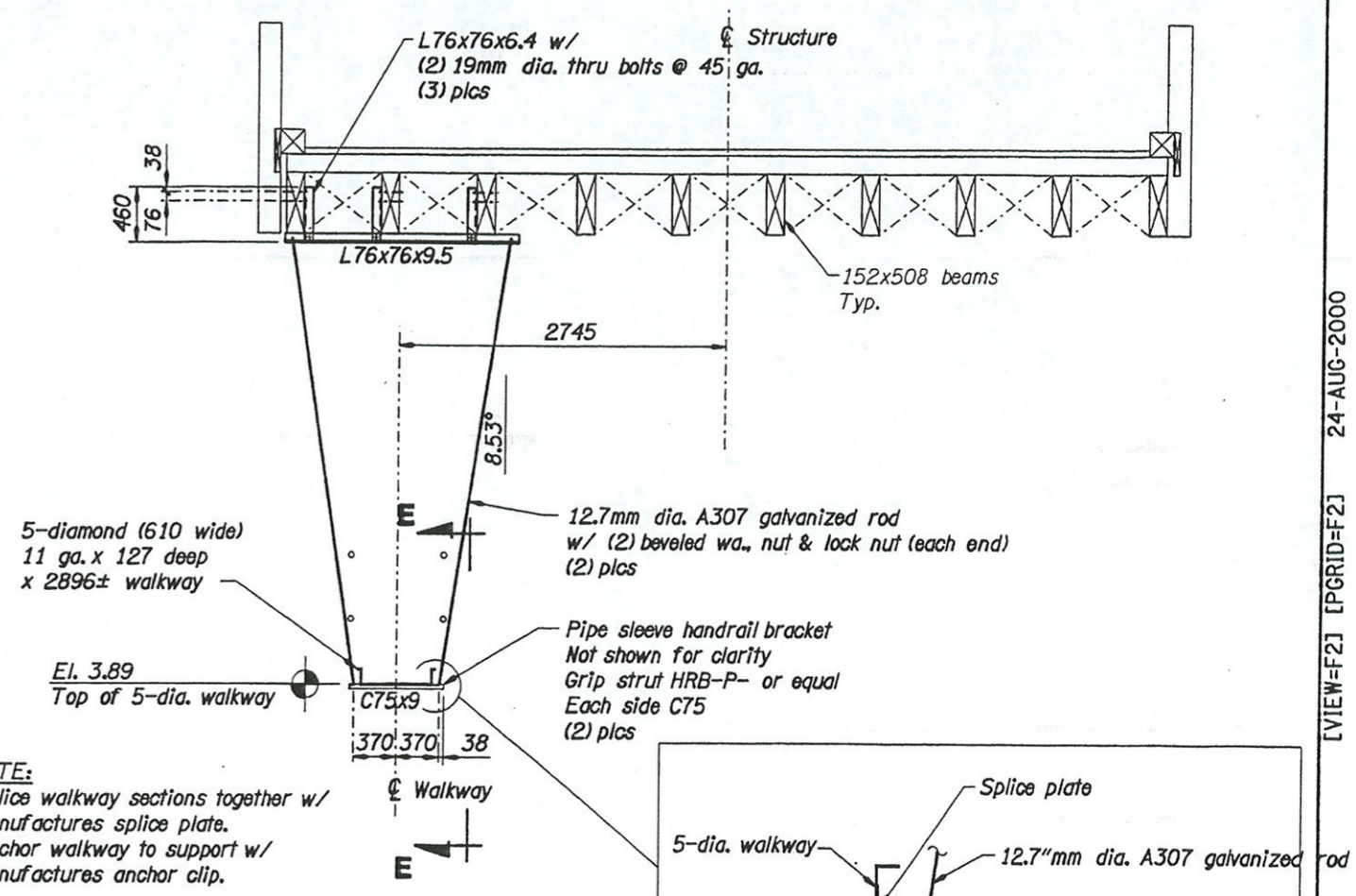
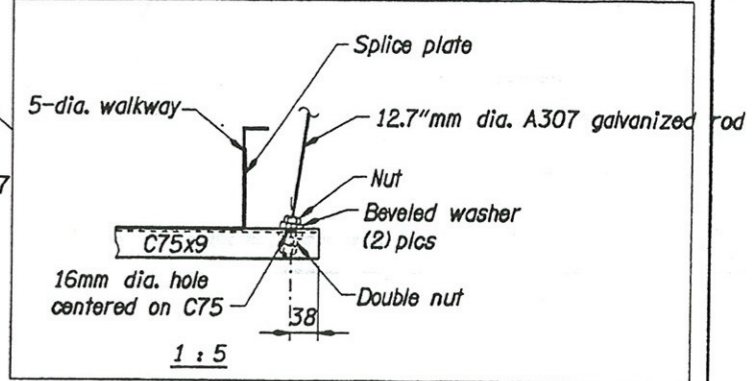


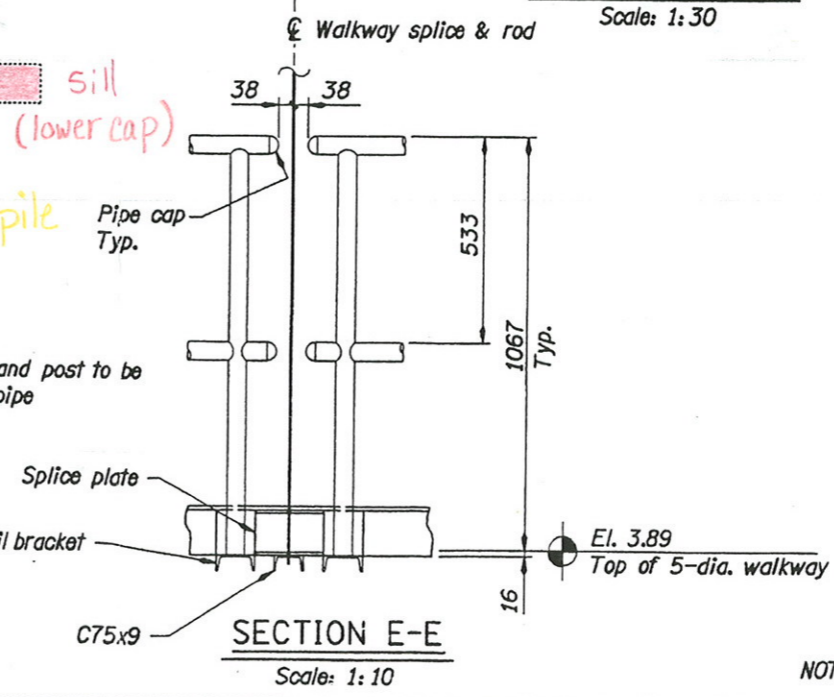
SECTION A-A BENT 35
Scale: 1:30 Dwg. #59177



SECTION B-B Dwg. #59177
Scale: 1:30



NOTE: Handrail and post to be 38 std. pipe



NOTE: All dimensions are in millimeters (mm) except as noted.

DATE	REVISION	BY

DRAFTED: Mats Halvardson
 CHECKED: Scott Nettleton
 DESIGNED: Mats Halvardson

REVIEWED

 EXPIRES: 12/31/2001

OREGON DEPARTMENT OF TRANSPORTATION
 BRIDGE ENGINEERING SECTION

BRIDGE NO. 0711
 DATE 24-AUG-2000
 CALC. BOOK -

LEWIS AND CLARK RIVER BRIDGE
APPROACH WALKWAY SECTIONS

METRIC
 SHEET 11 OF 84
 DRAWING NO. 59178

C:\usr\BR\PROJECTS\10570\K711s3.dgn [VIEW=F2] [PGRID=F2] 24-AUG-2000