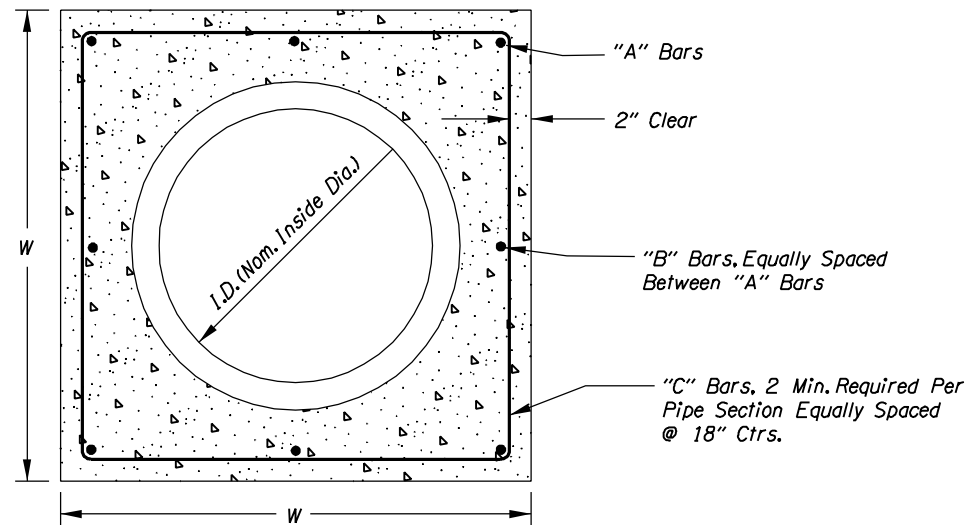


ENCASEMENT OF CONCRETE SEWER PIPE

(For Location, See Plans)

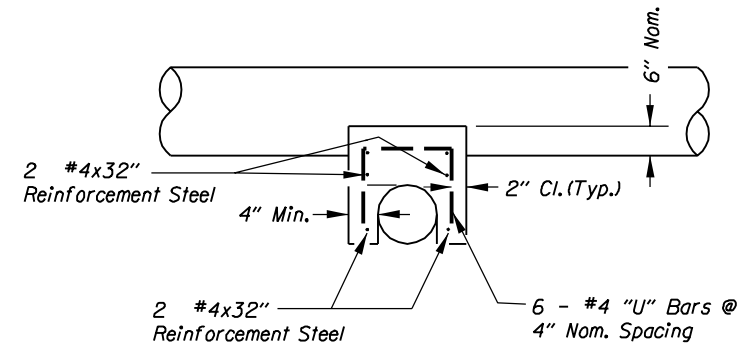
Pipe Inside Diameter I.D. (in)	Encasem't. Dimension W (in)	Reinforcement Steel			
		"A" Bars	"B" Bars	"C" Bars	
		Size	No.	Size	Size
12	22	4			4
15	26	4			4
18	32	4			4
21	36	4	1	4	4
24	42	4	1	4	4
27	48	4	1	4	4
30	53	4	2	4	4
36	63	4	2	4	4



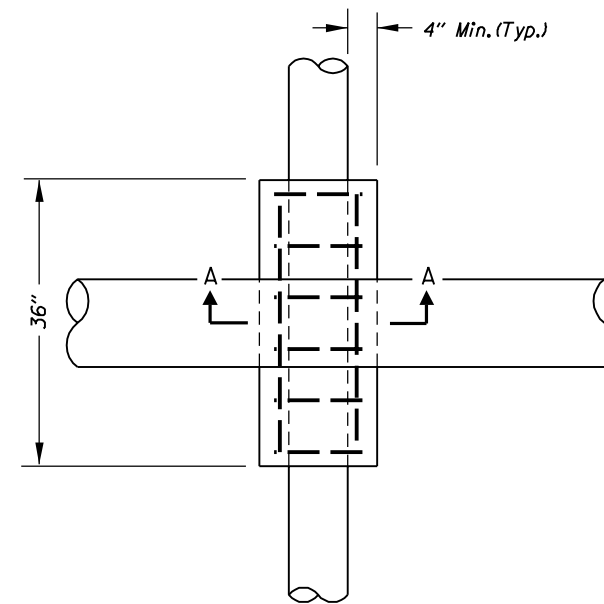
General Note:

All Reinforcing Steel Splices To Be Lapped 16"

CONCRETE PIPE PROTECTION BLOCK



SECTION A-A



PLAN

Note To Designers:
Use This Detail To Protect Pipes With Less Than 12" Vertical Clearance Between Pipes.

OREGON DEPARTMENT OF TRANSPORTATION

SHEET NO.

e_der1545.dgn 6-25-03

DET 545