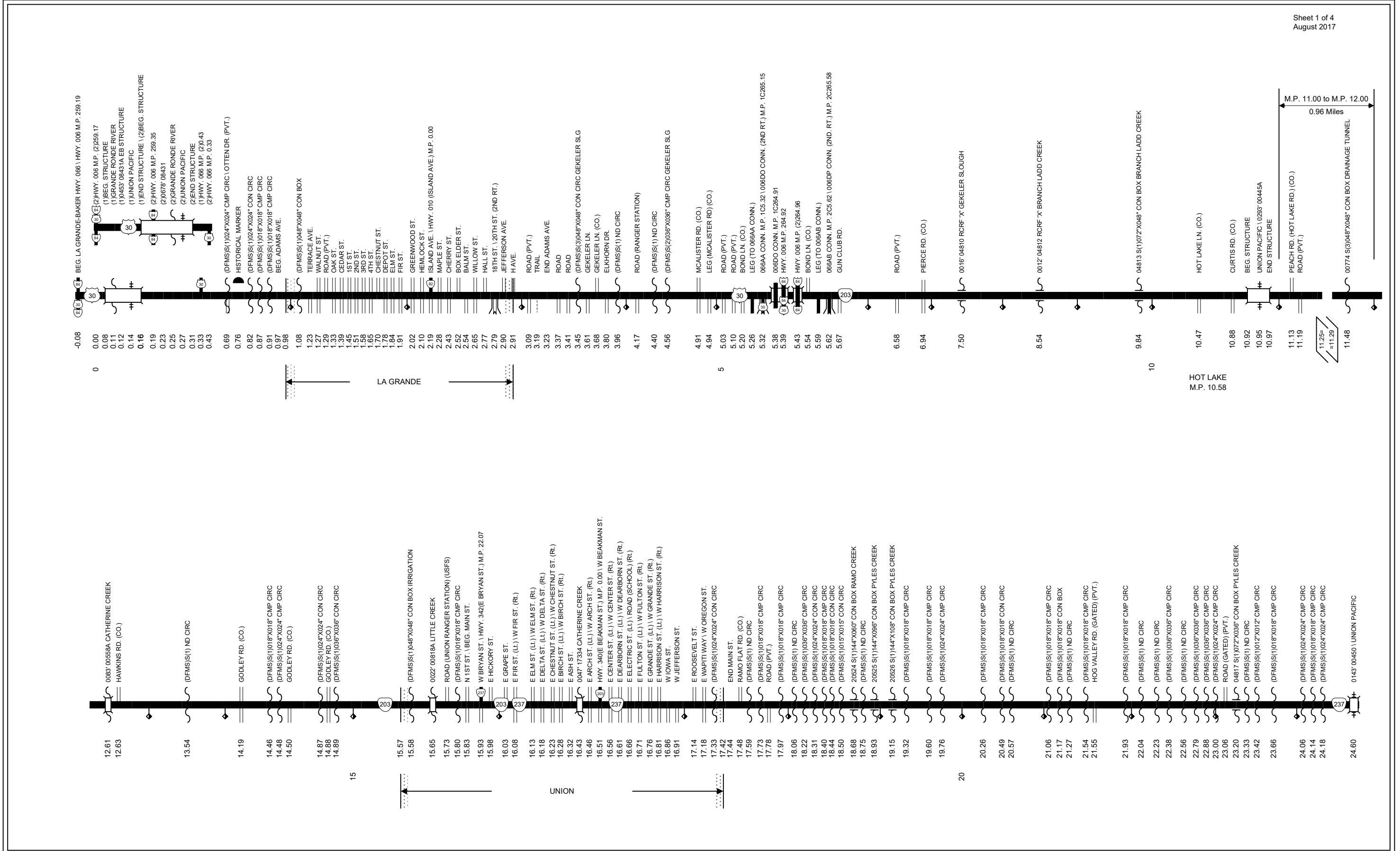


Region 5 District 13

LA GRANDE-BAKER HIGHWAY No. 66

Sheet 1 of 4
August 2017

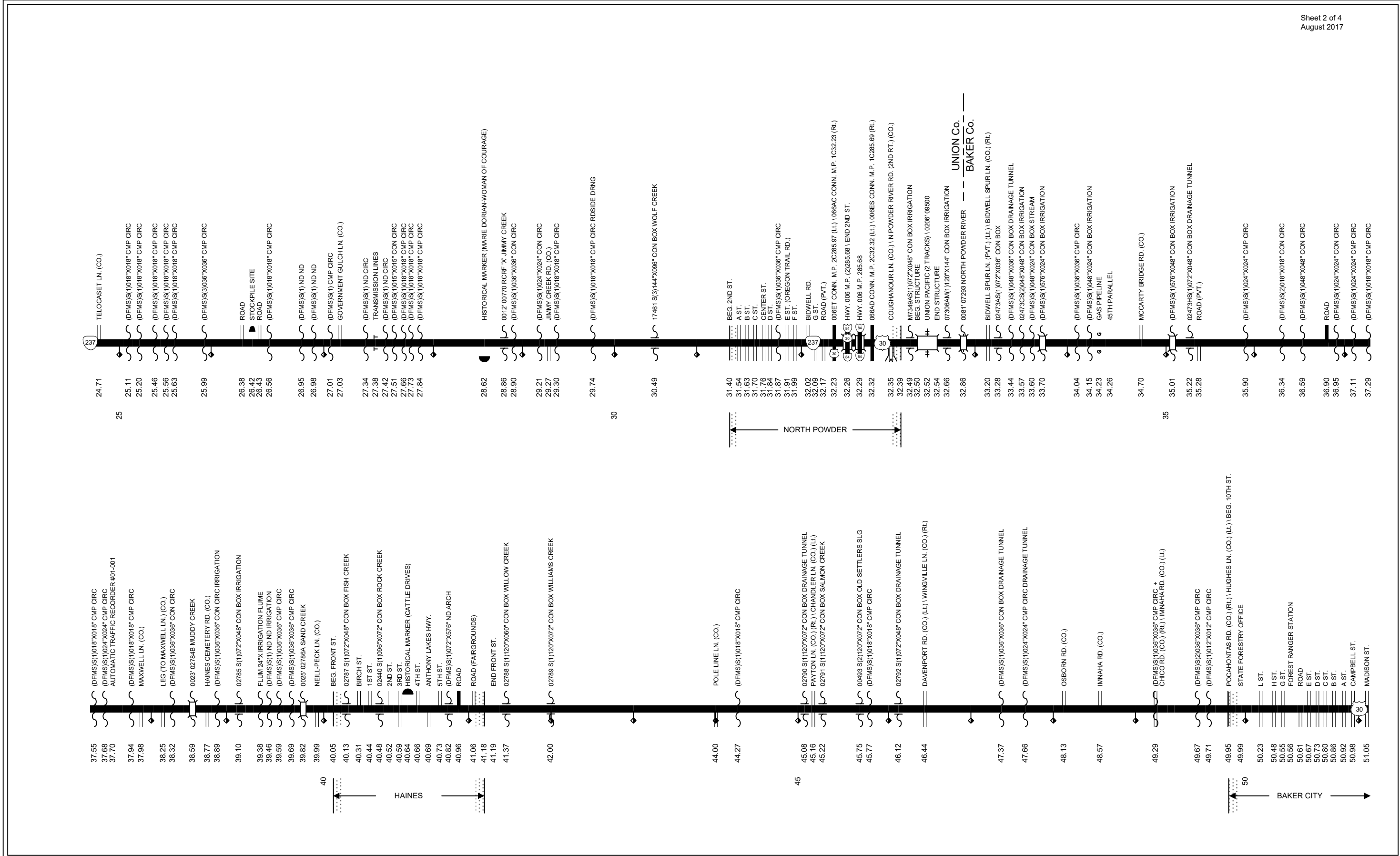


This product is for informational purposes and may not be suitable for legal, engineering, or surveying purposes. Users of this product should review and consult the primary data sources to determine the usability of the information. Conclusions drawn from such information are the responsibility of the user.

Produced by Transportation Development Division / Road Inventory and Classification Services (503)986-3154
DFMS culverts displayed at locations where they cross a State Highway or Public Approach.

Region 5 District 13

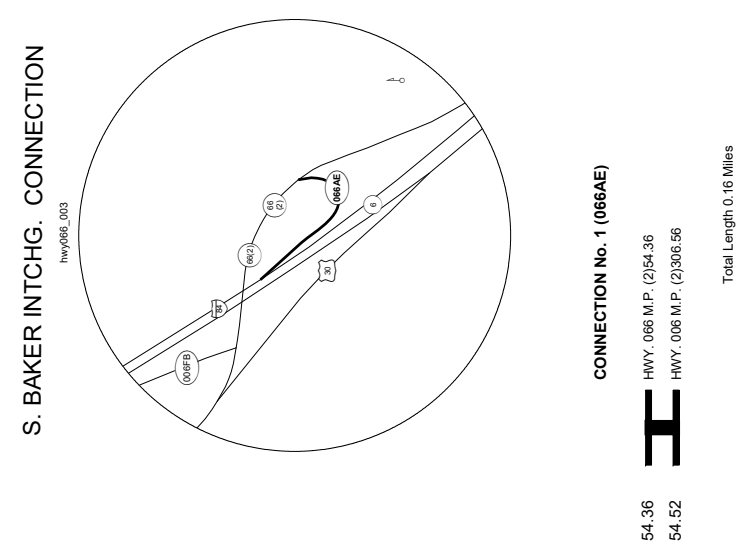
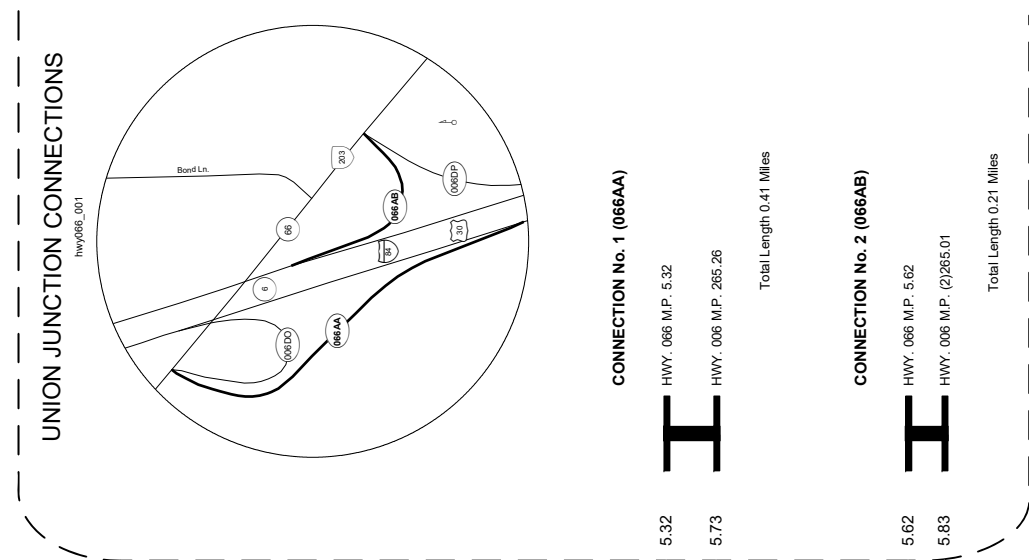
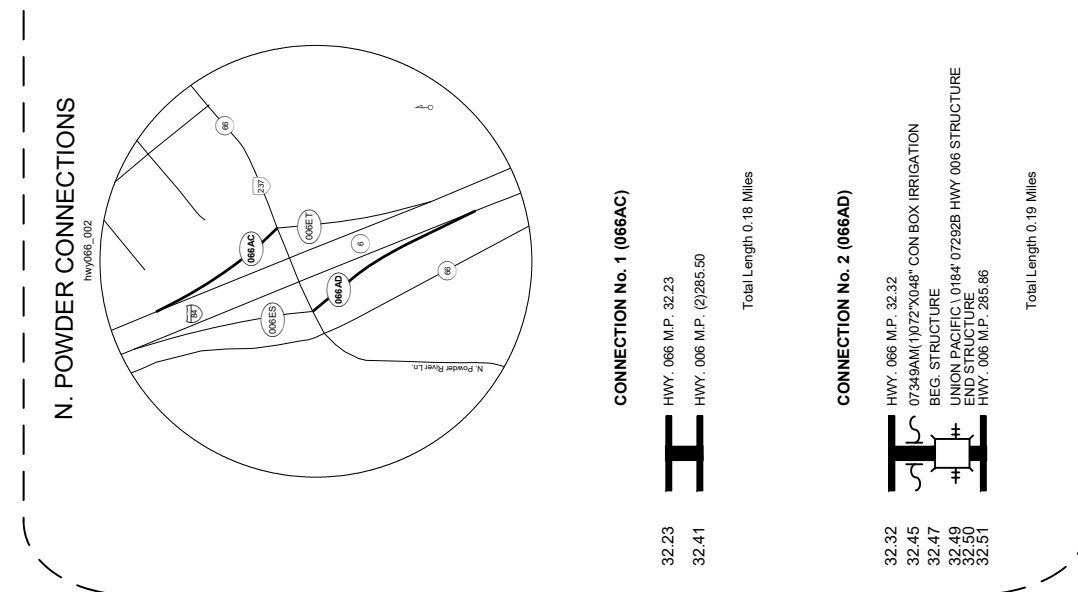
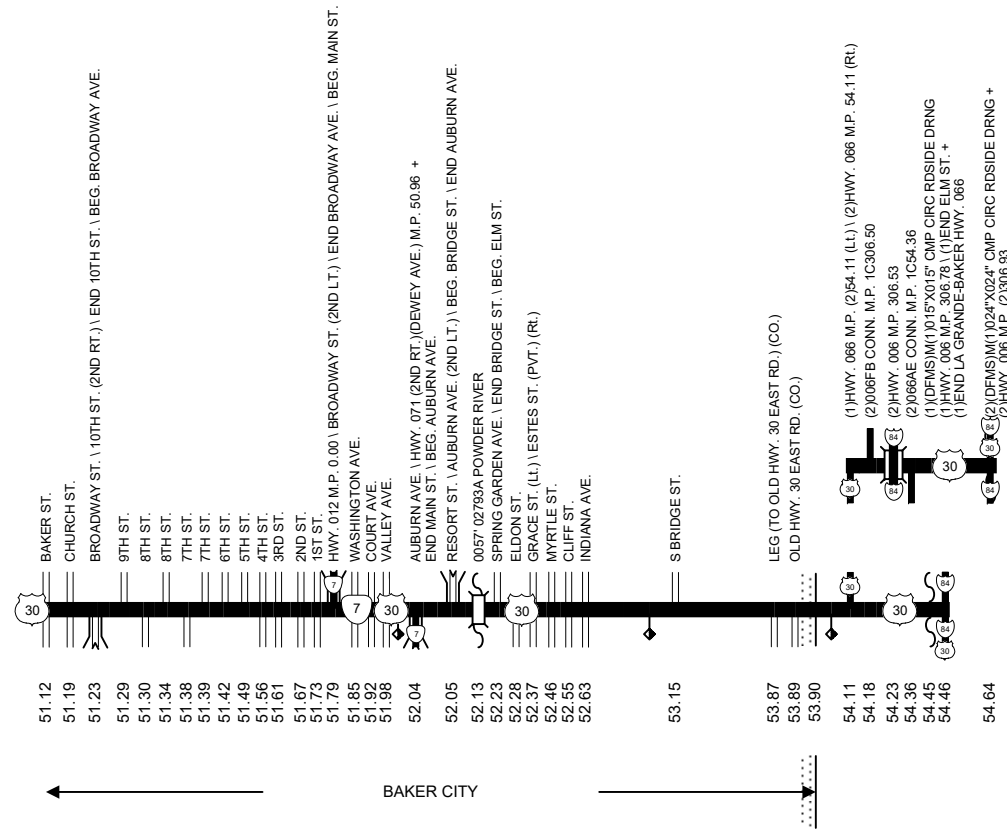
LA GRANDE-BAKER HIGHWAY No. 66



This product is for informational purposes and may not be suitable for legal, engineering, or surveying purposes. Users of this product should review and consult the primary data sources to determine the usability of the information. Conclusions drawn from such information are the responsibility of the user.

Region 5 District 13

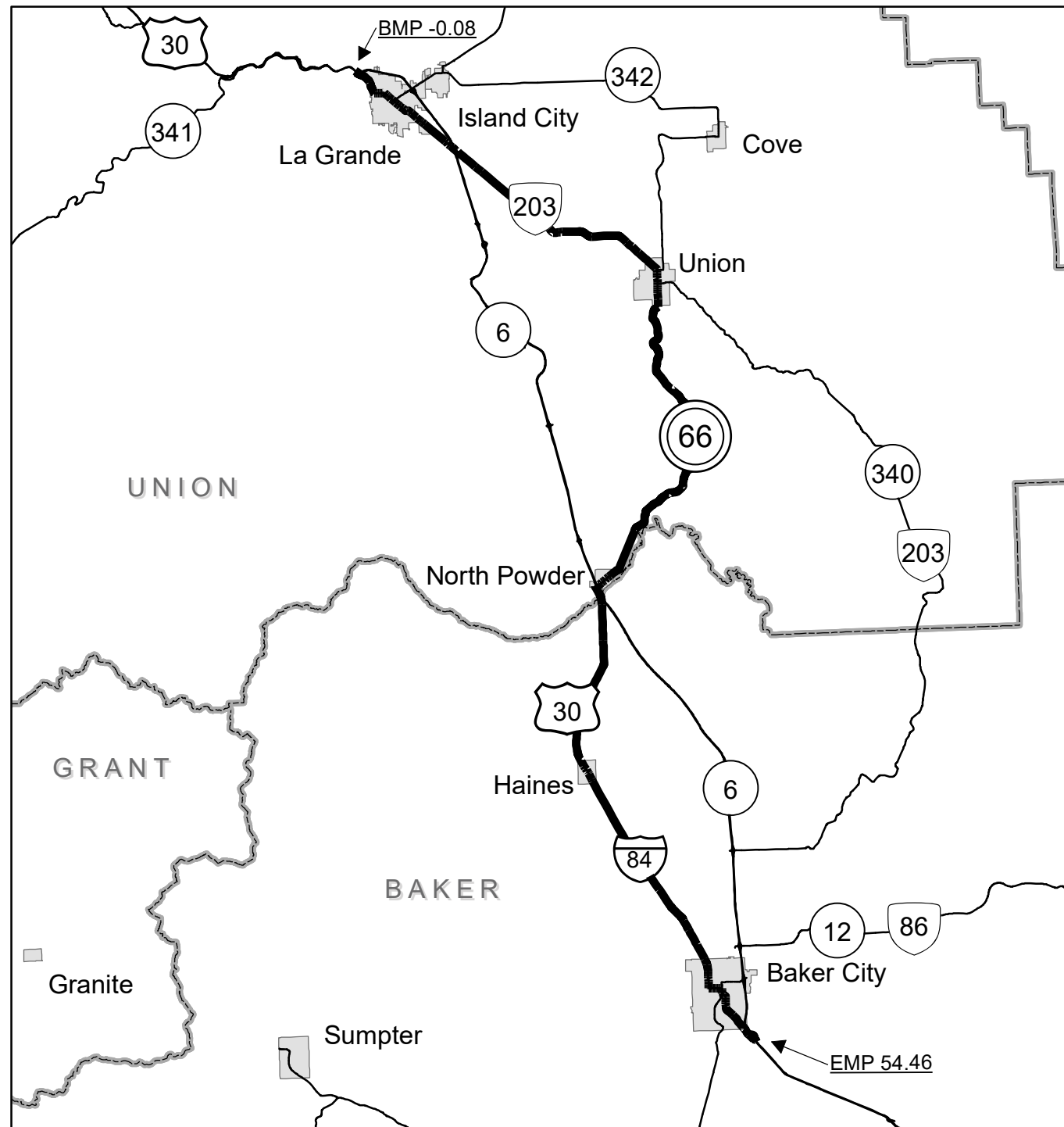
LA GRANDE-BAKER HIGHWAY No. 66



Region 5 District 13

LA GRANDE-BAKER HIGHWAY No. 66

Sheet 4 of 4
August 2017



The same information displayed on the Straightline Charts is updated monthly and available in tabular form on ODOT's Internet site. Use the Highway Inventory Summary report for more detailed information.
<https://www.oregon.gov/ODOT/DATA/Pages/Road-Assets-Mileage.aspx>
 NOTE: Milepoints on Straightline Chart are not to scale.

Legend

- State Highway No.066
- State Highways
- City Limits
- County Boundaries
- Interstate, US Route, State Route Markers
- State Highways

0 2.75 5.5 11 Miles



Note:

Jurisdiction of intersecting local roads as of:

Union County	2017
Baker County	2017