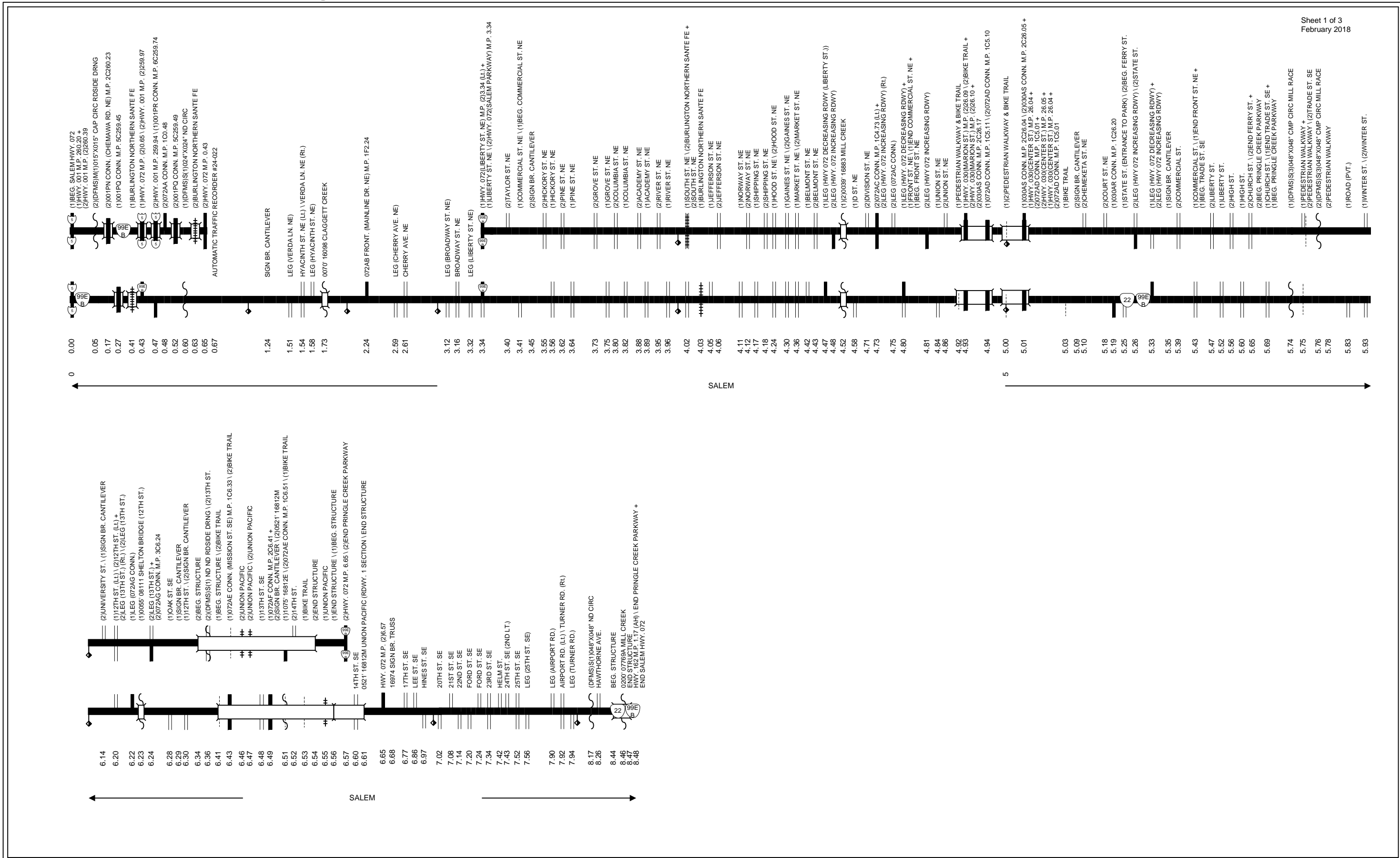
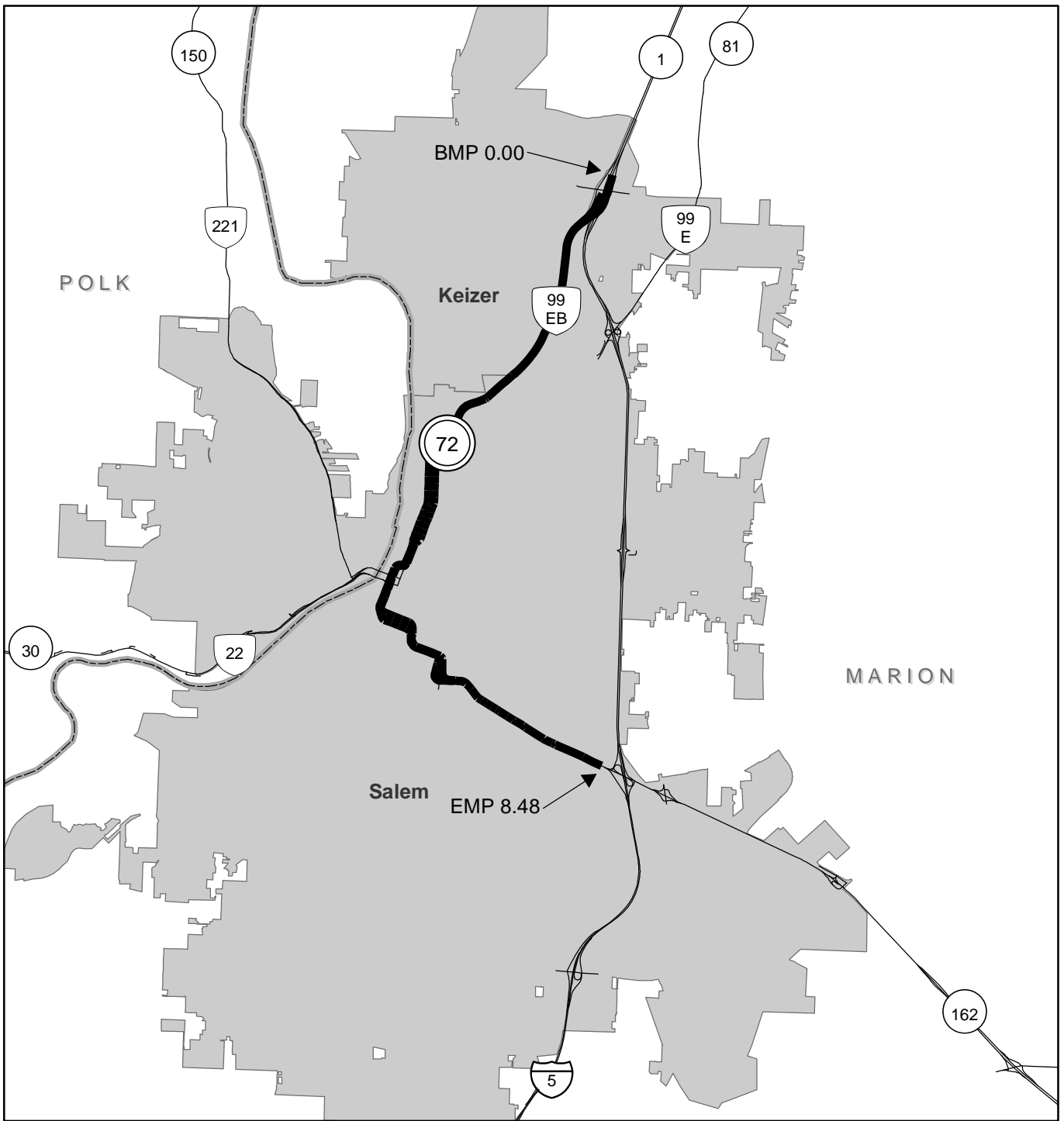


Region 2 District 3

SALEM HIGHWAY No. 72





Legend

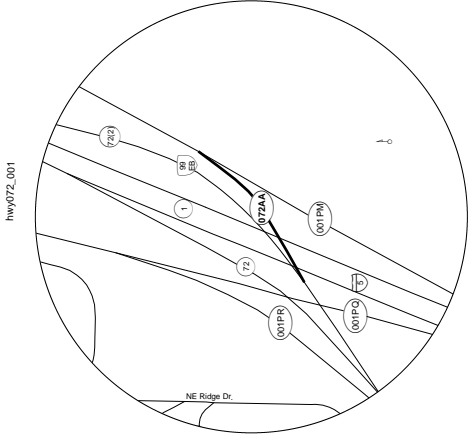
- State Highway No. 72
- State Highways
- County Boundaries
- City Limits

Interstate, US Route, State Route Markers

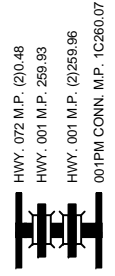
State Highways

0 0.5 1 2 Miles

CHEMAWA RD. INTCHGE. CONNECTION



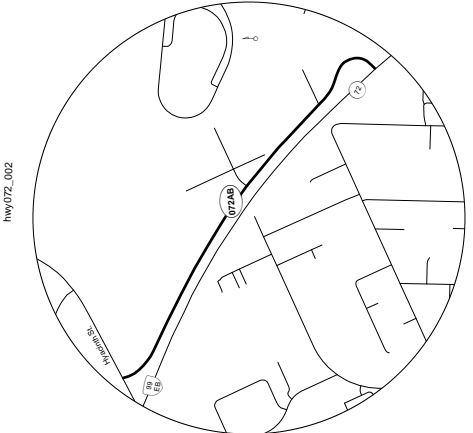
CONNECTION No. 1 (072AA)



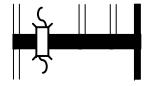
0.48
0.49
0.52
0.64

Total Length 0.16 Miles

MAINLINE DR. FRONTAGE RD.



FRONTAGE RD. (072AB)



1.54
1.69
1.92
2.10
2.24

Total Length 0.70 Miles

The same information displayed on the Straightline Charts is updated monthly and available in tabular form on ODOT's Internet site. Use the Highway Inventory Summary report for more detailed information.

<https://www.oregon.gov/odot/data/pages/road-assets-mileage.aspx>

NOTE: Milepoints on Straightline Chart are not to scale.

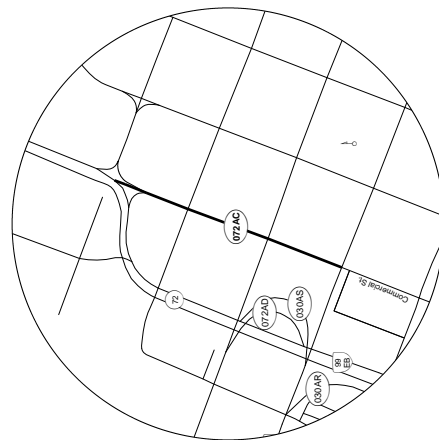
Note: Jurisdiction of intersecting local roads as of: Marion County 2018

Region 2 District 3

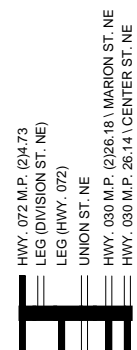
SALEM HIGHWAY No. 72

WILLAMINA-SALEM HWY. CONNECTION

hwy072_003



CONNECTION No. 1 (072AC)



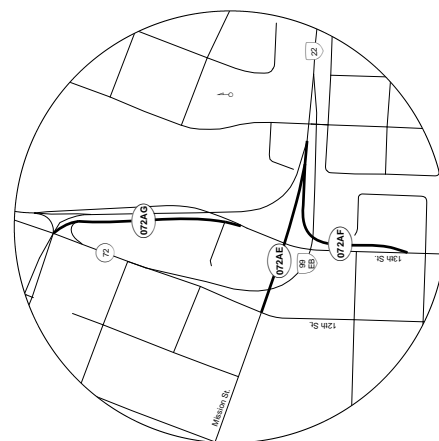
4.73
4.74
4.76
4.79
4.87
4.96

HWY. 072 M.P. (24.73)
LEG (DIVISION ST. NE)
LEG (HWY. 072)
UNION ST. NE
HWY. 030 M.P. (226.18) MARION ST. NE
HWY. 030 M.P. 26.14 CENTER ST. NE

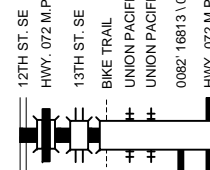
Total Length 0.23 Miles

MISSION ST. CONNECTIONS

hwy072_005



CONNECTION No. 1 (072AE)



6.30
6.33
6.40
6.45
6.46
6.47
6.49
6.51

12TH ST. SE
HWY. 072 M.P. 6.43
13TH ST. SE
BIKE TRAIL
UNION PACIFIC
UNION PACIFIC(2)
0082' 16813\072AE CONN. M.P. 2C6.49
HWY. 072 M.P. (2)6.51

Total Length 0.21 Miles

CONNECTION No. 2 (072AF)

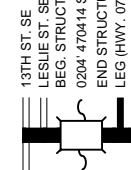


6.32
6.41
6.42
6.49

13TH ST. SE
HWY. 072 M.P. 6.49
0038' 16814\ BIKE TRAIL
072AE CONN. M.P. 1C6.49

Total Length 0.17 Miles

CONNECTION No. 3 (072AG)



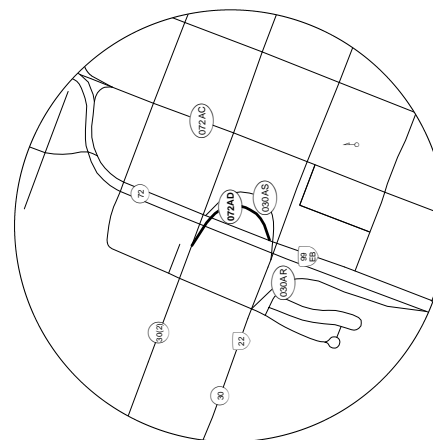
6.08
6.10
6.11
6.13
6.15
6.23
6.24

13TH ST. SE
LESUE ST. SE
BEG. STRUCTURE
0204' 470414 SHELTON DITCH
END STRUCTURE
LEG (HWY. 072 INCREASING RDWW)
HWY. 072 M.P. (2)6.24

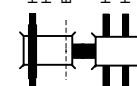
Total Length 0.16 Miles

MARION ST. CONNECTION

hwy072_004



CONNECTION No. 1 (072AD)



5.01
5.02
5.10
5.11
5.13

HWY. 072 M.P. (2)5.01 +
HWY. 030 M.P. 26.06\030AS CONN. M.P. 2C26.06
BIKE TRAIL
HWY. 072 M.P. (2)4.94
HWY. 072 M.P. 4.94
HWY. 030 M.P. (2)26.07

Total Length 0.12 Miles