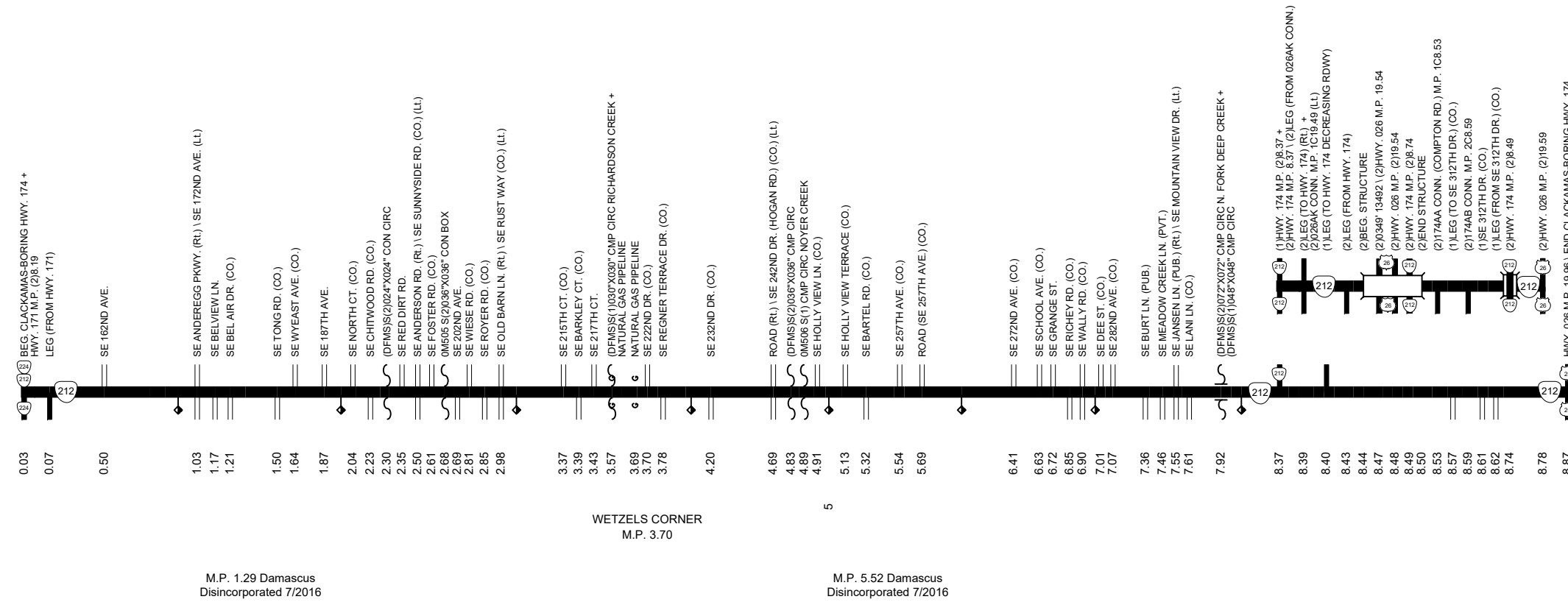


# Region 1 District 2C

# CLACKAMAS-BORING HIGHWAY No. 174

Sheet 1 of 2  
January 2017



M.P. 1.29 Damascus  
Disincorporated 7/2016

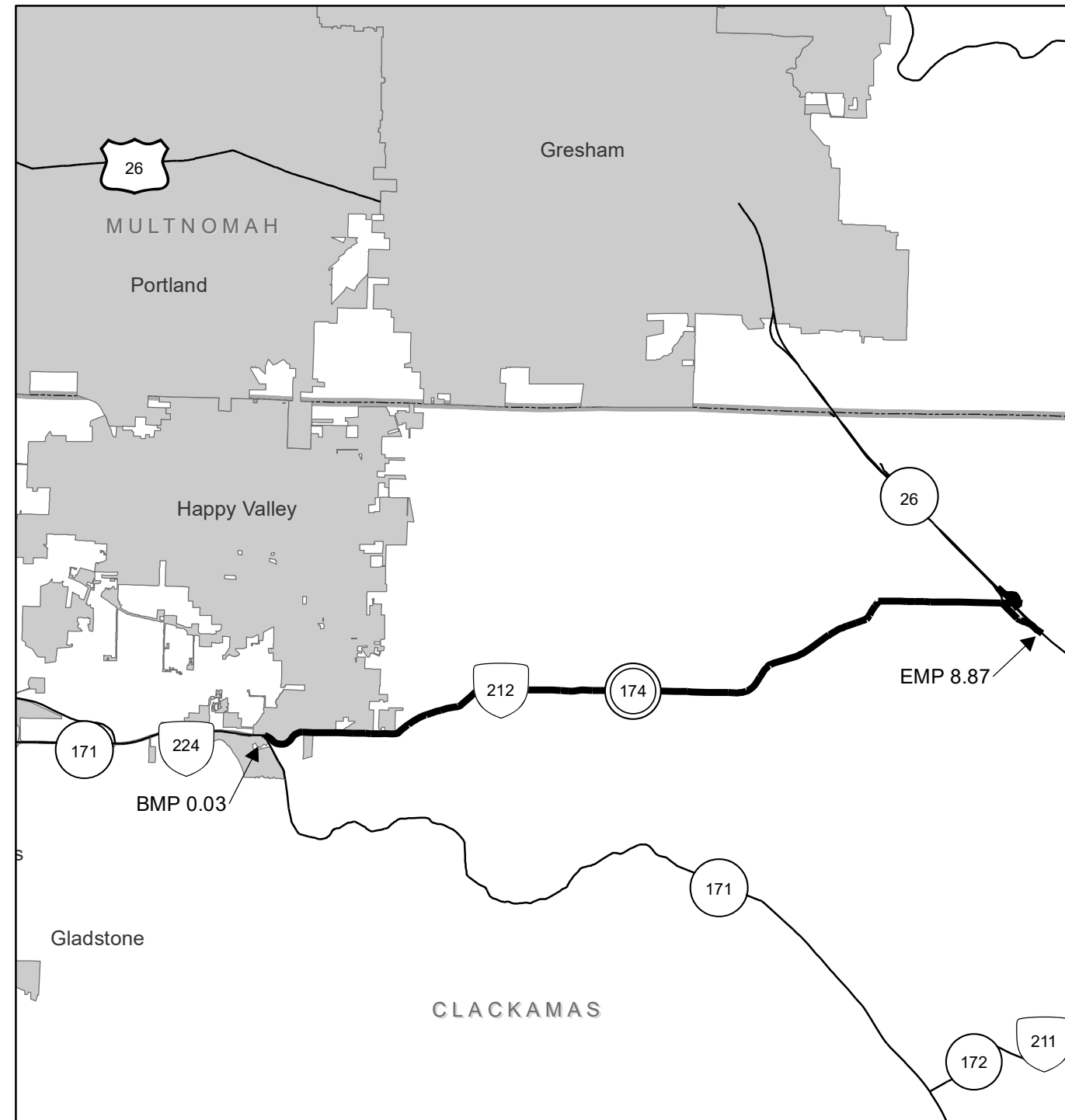
WETZELS CORNER  
M.P. 3.70

M.P. 5.52 Damascus  
Disincorporated 7/2016

# Region 1 District 2C

# CLACKAMAS-BORING HIGHWAY No. 174

Sheet 2 of 2  
January 2017

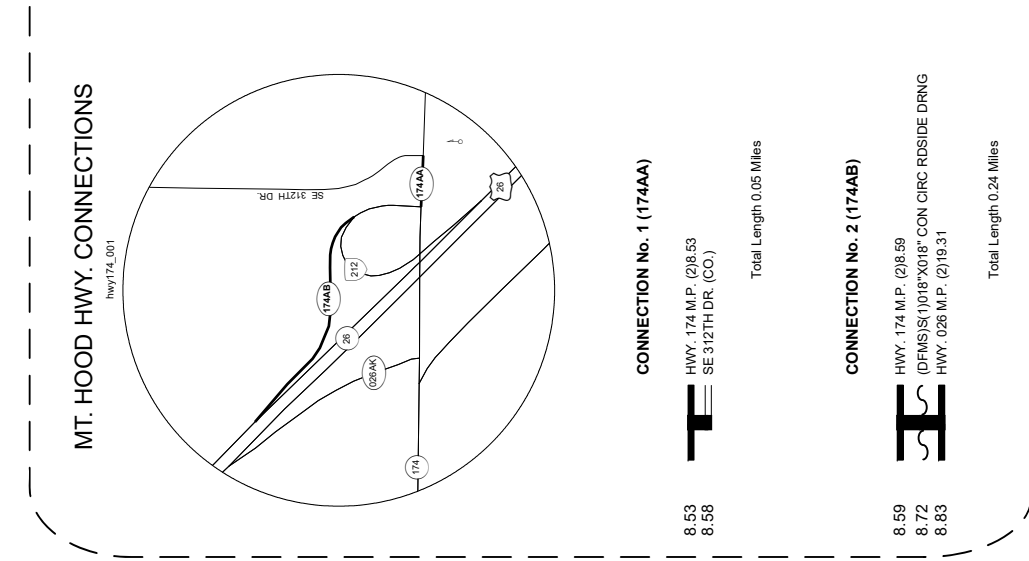


### Legend

- State Hwy No. 174
- State Highways
- citylim
- counties

- Interstate, US Route, State Route Markers
- State Highways

0 0.5 1 2 Miles



The same information displayed on the Straightline Charts is updated monthly and available in tabular form on ODOT's Internet site. Use the Highway Inventory Summary report for more detailed information.

<https://www.oregon.gov/ODOT/DATA/Pages/Road-Assets-Mileage.aspx>

NOTE: Milepoints on Straightline Chart are not to scale.

Note:  
Jurisdiction of intersecting local roads as of:

Clackamas County 2016