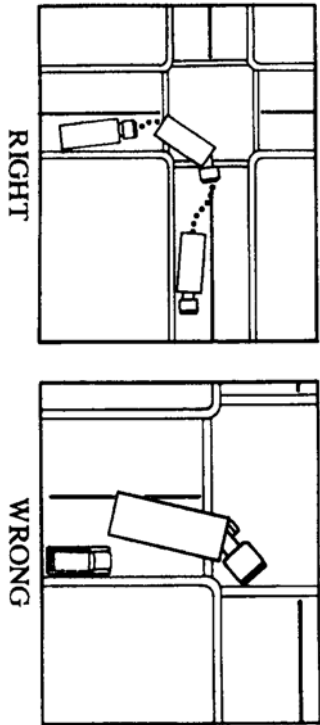


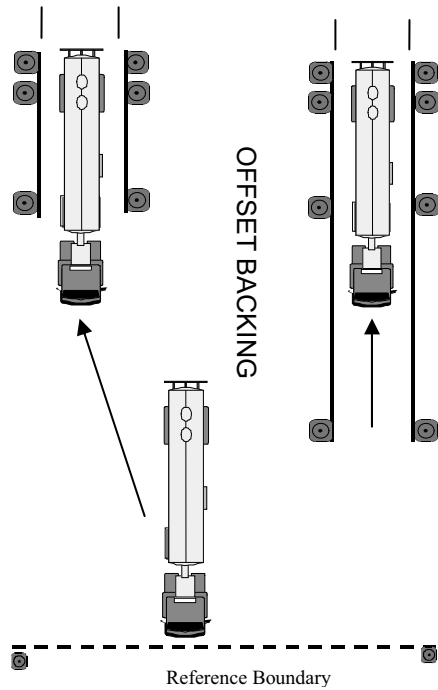


DEPARTMENT OF TRANSPORTATION
DRIVER AND MOTOR VEHICLE SERVICES
1905 LANA AVE NE, SALEM OREGON 97314

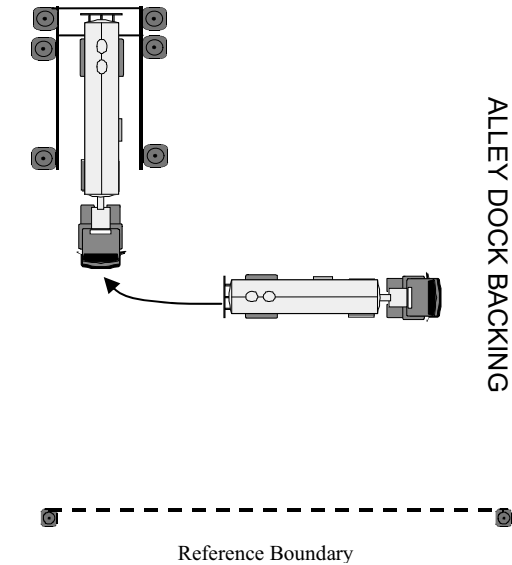
Class A, B and C Commercial Skills Tests Please Read



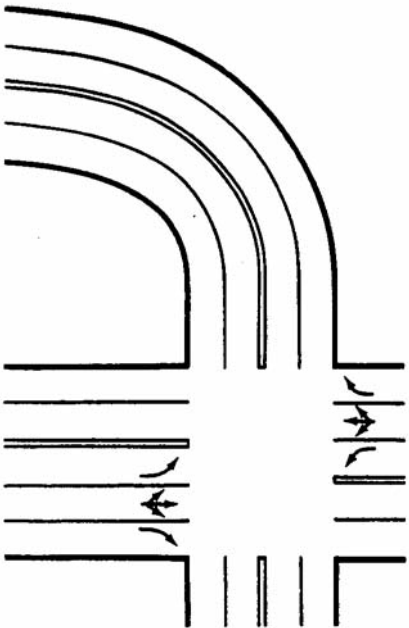
TRACTOR - TRAILER



STRAIGHT BACKING



ALLEY DOCK BACKING



The commercial test you are about to take will give you the opportunity to demonstrate your knowledge of vehicle equipment, your ability to control the vehicle while executing basic driving maneuvers and your skill in driving a commercial vehicle safely in a variety of traffic environments.

You do not have to be a perfect driver to pass. We know you are probably nervous and your examiner will try to help you relax. We want you to succeed.

During testing, your examiner will give you instructions and ask questions but will otherwise limit conversation. That way you can keep your mind on your driving or other tasks you are performing. The examiner will talk to you about test results when the test is over. If you have any questions about the test, please ask before the test starts or after the test is over. The examiner will not try to trick you and will not intentionally ask you to do anything that is illegal or unsafe. Our goal is to provide fair and objective evaluation of your performance and we try not to ask anything of you that is not routine for a professional commercial driver.

The examiner will make notes on a test score sheet. Some of the general areas that will be observed and scored are listed inside this pamphlet.

If the vehicle you use for testing is not safe and legal, the test may have to be postponed. Please be prepared to provide evidence that your vehicle is properly registered and insured.

You'll be given a CDL Pre-trip Vehicle Inspection Memory Aid before beginning the pre-trip vehicle inspection test. It lists areas of the vehicle you must inspect. You'll be asked to point to or touch the individual vehicle components you are inspecting within those areas and explain what you are checking and why. Normally, it is best for you to inspect areas of the vehicle in the order listed on the memory aid. This will help you perform a complete and methodical inspection while making it easier for the examiner to monitor and score the test.



DEPARTMENT OF TRANSPORTATION
DRIVER AND MOTOR VEHICLE SERVICES
1905 LANA AVE NE, SALEM OREGON 97314

Class A, B and C Commercial Tests

Improvement needed in areas listed below.

BRAKES		
<input type="checkbox"/> Air	<input type="checkbox"/> Air/Hyd	<input type="checkbox"/> Hyd

DATE	APPLICANT'S NAME	VEHICLE PLATE NUMBER	TSR
------	------------------	----------------------	-----

PRE - TRIP INSPECTION TEST

CLASS A	CLASS B or C EXCEPT PASSENGER	CLASS B or C PASSENGER
<input type="checkbox"/> Engine Compartment _____	<input type="checkbox"/> Engine Compartment _____	<input type="checkbox"/> Engine Compartment _____
<input type="checkbox"/> Front of Truck/Tractor _____	<input type="checkbox"/> Front of Vehicle _____	<input type="checkbox"/> Front of Vehicle _____
<input type="checkbox"/> Front Suspension _____	<input type="checkbox"/> Front Suspension _____	<input type="checkbox"/> Front Suspension _____
<input type="checkbox"/> Driver/Fuel Area _____	<input type="checkbox"/> Driver/Fuel Area _____	<input type="checkbox"/> Driver/Fuel Area _____
<input type="checkbox"/> Rear of Truck/Tractor _____	<input type="checkbox"/> Under Vehicle _____	<input type="checkbox"/> Under Vehicle _____
<input type="checkbox"/> Coupling System _____	<input type="checkbox"/> Rear Wheels _____	<input type="checkbox"/> Rear Wheels _____
<input type="checkbox"/> Side of Trailer _____	<input type="checkbox"/> Rear Suspension _____	<input type="checkbox"/> Rear Suspension _____
<input type="checkbox"/> Trailer Wheels _____	<input type="checkbox"/> Brakes _____	<input type="checkbox"/> Brakes _____
<input type="checkbox"/> Brakes _____	<input type="checkbox"/> Rear of Vehicle _____	<input type="checkbox"/> Rear of Vehicle _____
<input type="checkbox"/> Trailer Suspension _____	<input type="checkbox"/> Lights Reflectors _____	<input type="checkbox"/> Passenger Items _____
<input type="checkbox"/> Rear of Trailer _____	<input type="checkbox"/> In-Cab Checks _____	<input type="checkbox"/> Lights & Reflectors _____
<input type="checkbox"/> Lights & Reflectors _____		<input type="checkbox"/> School Bus Items _____
<input type="checkbox"/> In-Cab Checks _____		<input type="checkbox"/> In-Cab Checks _____

BCS TEST

STRAIGHT BACKING	OFFSET BACKING	ALLEY DOCK BACKING
<input type="checkbox"/> Pullups _____	<input type="checkbox"/> Pullups _____	<input type="checkbox"/> Pullups _____
<input type="checkbox"/> Encroachments _____	<input type="checkbox"/> Encroachments _____	<input type="checkbox"/> Encroachments _____
<input type="checkbox"/> Final Position _____	<input type="checkbox"/> Final Position _____	<input type="checkbox"/> Final Position _____

DRIVE TEST

LEFT TURNS <input type="checkbox"/> Approach <input type="checkbox"/> Stop <input type="checkbox"/> Turning <input type="checkbox"/> Complete Turn	INTERSECTIONS <input type="checkbox"/> Approach <input type="checkbox"/> Stopping <input type="checkbox"/> Driving Through <input type="checkbox"/> Completion	FREEWAY <input type="checkbox"/> Merge On <input type="checkbox"/> Driving <input type="checkbox"/> Exit	<input type="checkbox"/> LANE CHANGES <input type="checkbox"/> URBAN/RURAL HWY <input type="checkbox"/> RAILROAD CROSSING <input type="checkbox"/> BRIDGE/UNDERPASS/ROAD SIGNS <input type="checkbox"/> CURVES <input type="checkbox"/> STUDENT DISCHARGE
RIGHT TURNS <input type="checkbox"/> Approach <input type="checkbox"/> Stop <input type="checkbox"/> Turning <input type="checkbox"/> Complete Turn	ROADSIDE START/STOP <input type="checkbox"/> Approach <input type="checkbox"/> Stop <input type="checkbox"/> Resume	GENERAL DRIVING <input type="checkbox"/> Clutch <input type="checkbox"/> Gears <input type="checkbox"/> Brakes <input type="checkbox"/> Steering <input type="checkbox"/> Traffic Laws <input type="checkbox"/> Lanes/Stop Lines	

PASS (30 errors or less) **FAIL** (more than 30 errors)

Grounds for Immediate Failure

1. An accident involving any amount of property damage or personal injury.
2. Applicant fails to fasten seatbelt or refuses to perform any maneuver which is part of the prescribed skills test.
3. Any dangerous action which:
 - a. An accident is prevented by expert driving or action on the part of other drivers.
 - b. The examiner is forced to assist the driver in avoiding an accident physically or orally.
 - c. The applicant drives over curb or sidewalk in a way that is potentially dangerous to property or pedestrians.
 - d. By stalling or other improper driving behavior, the applicant creates a serious traffic hazard.
4. The applicant commits any of the following:
 - a. Passes another car which is stopped at a crosswalk yielding to a pedestrian, or passes a school bus stopped with its red lights flashing.
 - b. Makes or starts to make a turn from the wrong lane under traffic conditions that render such actions **dangerous**.
 - c. Runs through or has to be stopped from running a red light or a stop sign or violates RRX.
5. Applicant is unable to properly operate vehicle equipment, or after proceeding a short distance on the drive course, it becomes apparent that the applicant is dangerously inexperienced.

EXAMINER'S COMMENTS:
