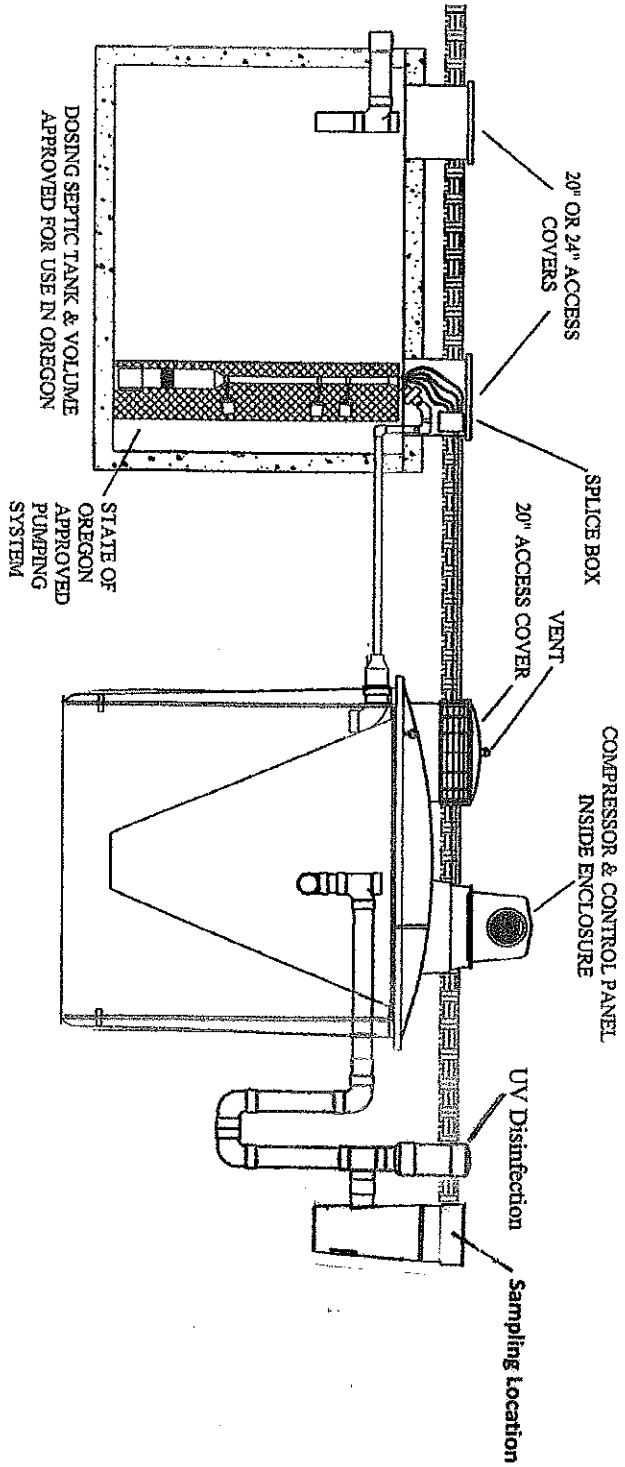


**APPROVED**

By Randy Trox at 2:53 pm, Jun 30, 2015



- NOTES:
1. ALL EXTERIOR PIPE SIZES AS PER OREGON REQUIREMENTS.
  2. THE VOLUME OF THE SEPTIC TANK WILL BE AS REQUIRED IN OAR 349-071.
  3. AS AN OPTION, THE COMPRESSOR, CONTROL PANEL, AND ENCLOSURE CAN BE MOUNTED REMOTELY PROVIDED THEY ARE WITHIN 100' OF THE TREATMENT UNIT.

The Aqua Safe includes a Model RAB 20ZFS control that de-activates the dosing pump in the event of an alarm condition, preventing the discharge of un-treated or partially-treated effluent.

**ECOLOGICAL TANKS, INC**

2477 HWY 151 NORTH  
DOWNSVILLE, LA 71234

Aqua Safe® AS600+4NR + The Disinfectant "UV"  
w/ approved Dosing Septic Tank

NO PART OF THIS DOCUMENT MAY BE REPRODUCED,  
STORED IN ANY RETRIEVAL SYSTEM, OR TRANSMITTED  
IN ANY FORM OR BY ANY MEANS, ELECTRONIC,  
MECHANICAL, PHOTOCOPYING, RECORDING OR  
OTHERWISE WITHOUT THE PRIOR WRITTEN PERMISSION  
OF ECOLOGICAL TANKS, INC.

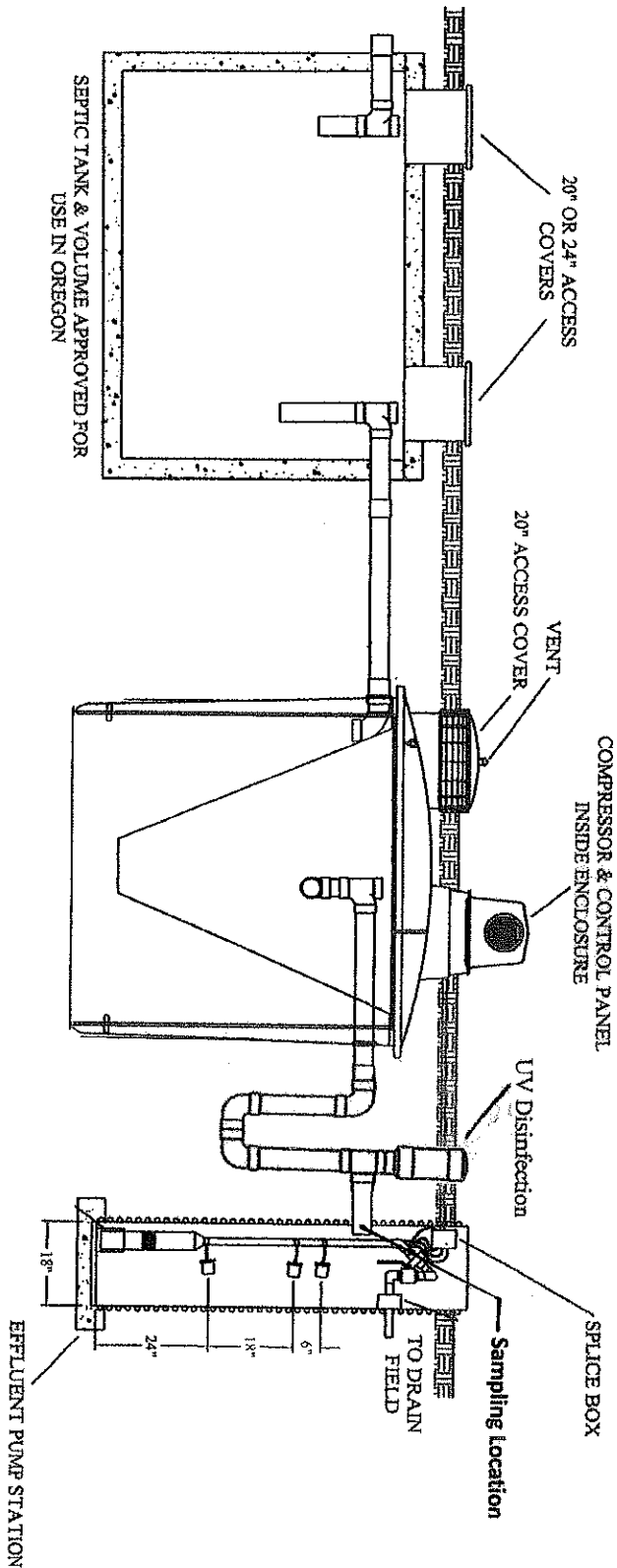
SCALE:  
NTS

DATE  
10/19/09

DRAWING NO.  
AS600+4NR + UV (1)

**APPROVED**

By Randy Trox at 2:53 pm, Jun 30, 2015



- NOTES:
1. ALL EXTERIOR PIPE SIZES AS PER OREGON REQUIREMENTS.
  2. THE VOLUME OF THE SEPTIC TANK WILL BE AS REQUIRED IN OAR 340-071.
  3. AS AN OPTION, THE COMPRESSOR, CONTROL PANEL, AND ENCLOSURE CAN BE MOUNTED REMOTELY PROVIDED THEY ARE WITHIN 100' OF THE TREATMENT UNIT.

The Aqua Safe includes a Model RAB 202FS control that de-activates the dosing pump in the event of an alarm condition, preventing the discharge of un-treated or partially-treated effluent.

**ECOLOGICAL TANKS, INC**  
 2477 HWY 151 NORTH  
 DOWNSVILLE, LA 71234

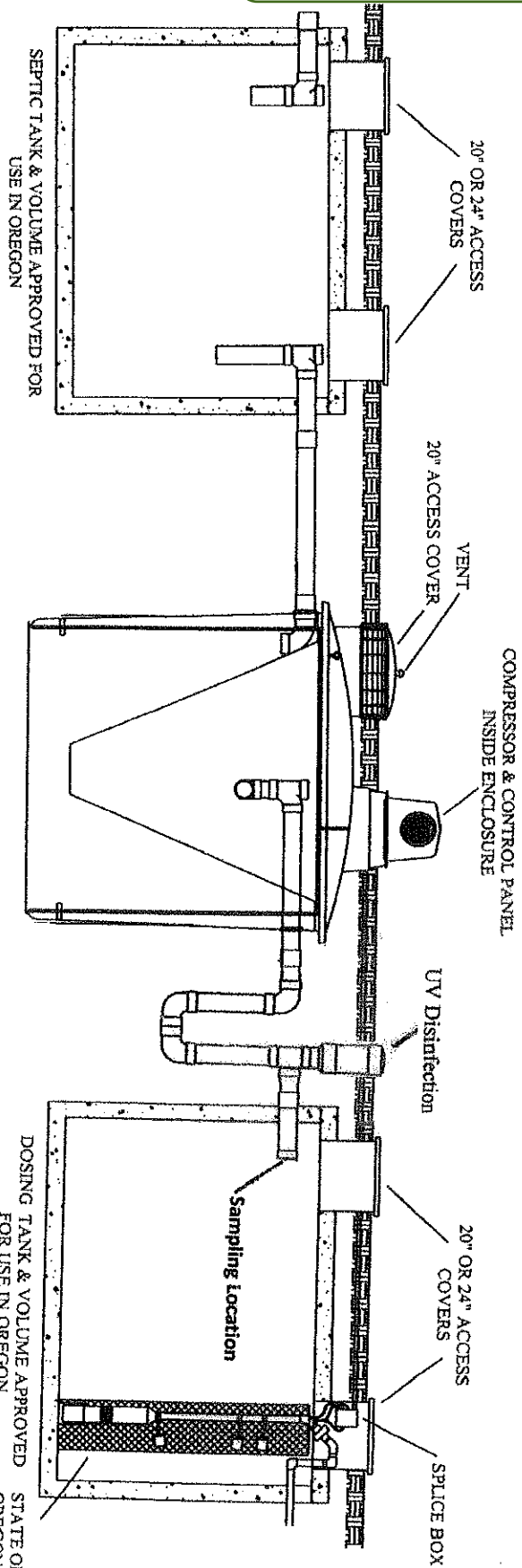
**Aqua Safe® AS600+4NR + "The Disinfector" UV™**  
 w/ Small Diameter Effluent Pump Vault

NO PART OF THIS DOCUMENT MAY BE REPRODUCED, STORED IN ANY RETRIEVAL SYSTEM OR TRANSMITTED IN ANY FORM OR BY ANY MEANS, ELECTRONIC, MECHANICAL, PHOTOCOPIING, RECORDING OR OTHERWISE WITHOUT THE PRIOR WRITTEN PERMISSION OF ECOLOGICAL TANKS, INC.

SCALE: NTS

DATE 10/19/09

DRAWING NO. AS600+4NR + UV (2)



- NOTES:
1. ALL EXTERIOR PIPE SIZES AS PER OREGON REQUIREMENTS.
  2. THE VOLUME OF THE SEPTIC TANK WILL BE AS REQUIRED IN OAR 340-071.
  3. AS AN OPTION, THE COMPRESSOR, CONTROL PANEL, AND ENCLOSURE CAN BE MOUNTED REMOVELY PROVIDED THEY ARE WITHIN 100' OF THE TREATMENT UNIT.

The Aqua Safe includes a Model RAB 202FS control that de-activates the dosing pump in the event of an alarm condition, preventing the discharge of un-treated or partially-treated effluent.

**ECOLOGICAL TANKS, INC**  
 2477 HWY 151 NORTH  
 DOWNSVILLE, LA 71234

**Aqua Safe® AS600+4NR + "The Disinfector "UV"**  
 w/ approved Effluent Dosing Septic Tank

NO PART OF THIS DOCUMENT MAY BE REPRODUCED, STORED IN ANY RETRIEVAL SYSTEM OR TRANSMITTED IN ANY FORM OR BY ANY MEANS, ELECTRONIC, MECHANICAL, PHOTOCOPYING, RECORDING, OR OTHERWISE WITHOUT THE PRIOR WRITTEN PERMISSION OF ECOLOGICAL TANKS, INC.

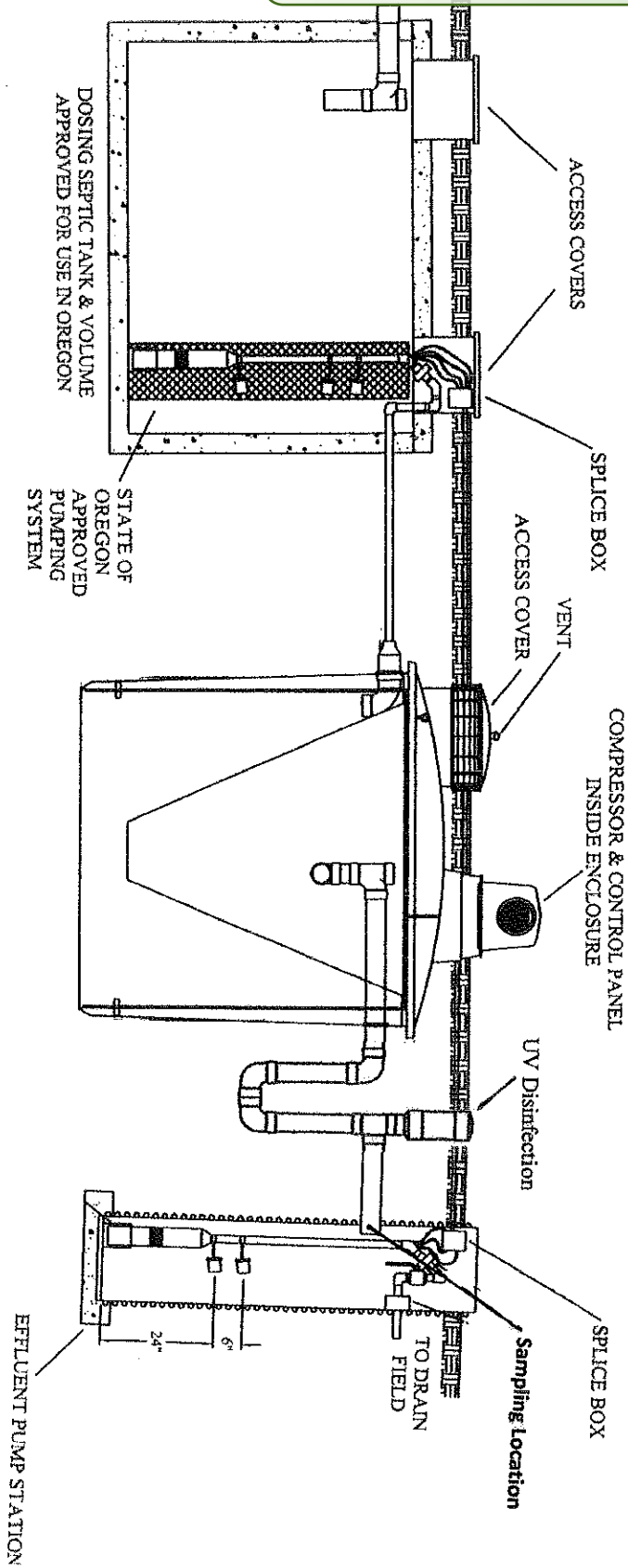
SCALE: NTS  
 DATE: 10/19/09

DRAWING NO. AS600+4NR + UV (3)

STATE OF OREGON APPROVED PUMPING SYSTEM

**APPROVED**

By Randy Trox at 2:53 pm, Jun 30, 2015



- NOTES:
1. ALL EXTERIOR PIPE SIZES AS PER OREGON REQUIREMENTS.
  2. THE VOLUME OF THE SEPTIC TANK WILL BE AS REQUIRED IN OAR 340-071.
  3. AS AN OPTION, THE COMPRESSOR, CONTROL PANEL, AND ENCLOSURE CAN BE MOUNTED REMOTELY PROVIDED THEY ARE WITHIN 100' OF THE TREATMENT UNIT.

The Aqua Safe includes a Model RAB 202FS control that de-activates the dosing pump in the event of an alarm condition, preventing the discharge of un-treated or partially-treated effluent.

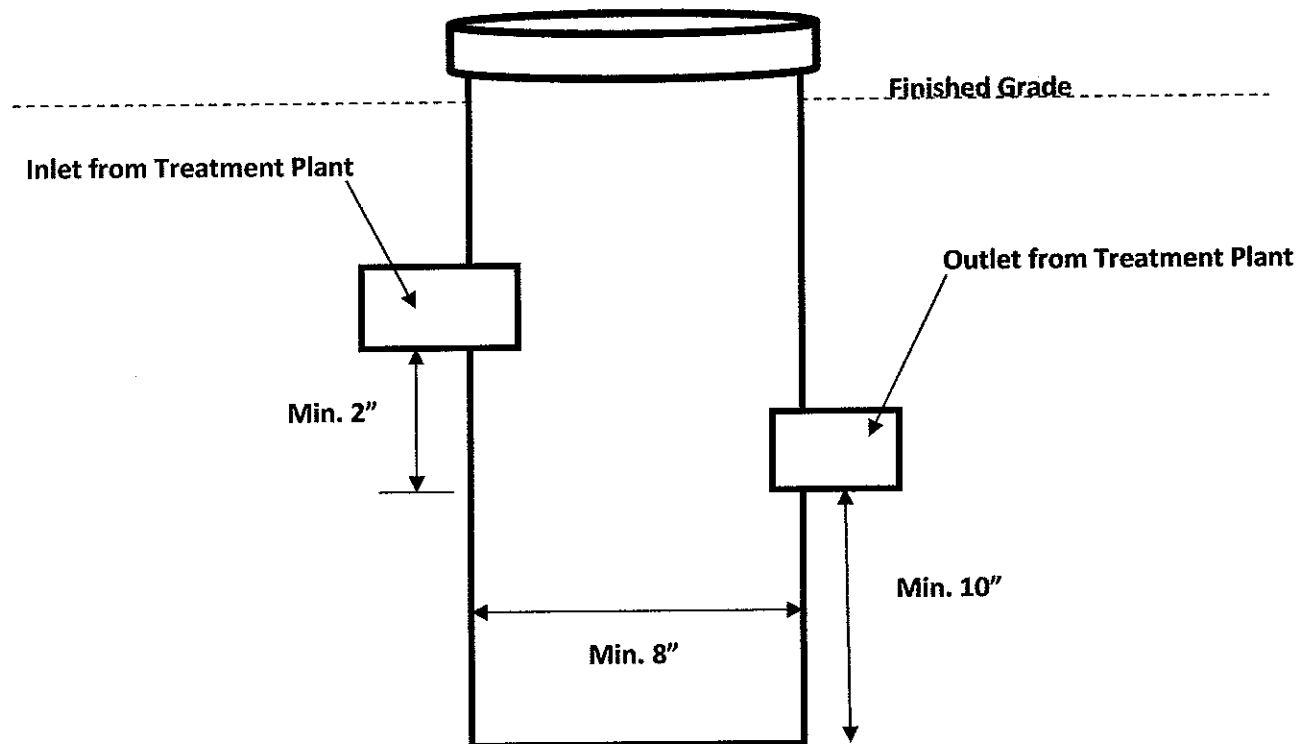
**ECOLOGICAL TANKS, INC**  
 2477 HWY 151 NORTH  
 DOWNSVILLE, LA 71234

**Aqua Safe® AS600+4NR + "The Disinfecter" "UV"**  
 w/ approved Dosing Septic Tank and Effluent Pump Vault

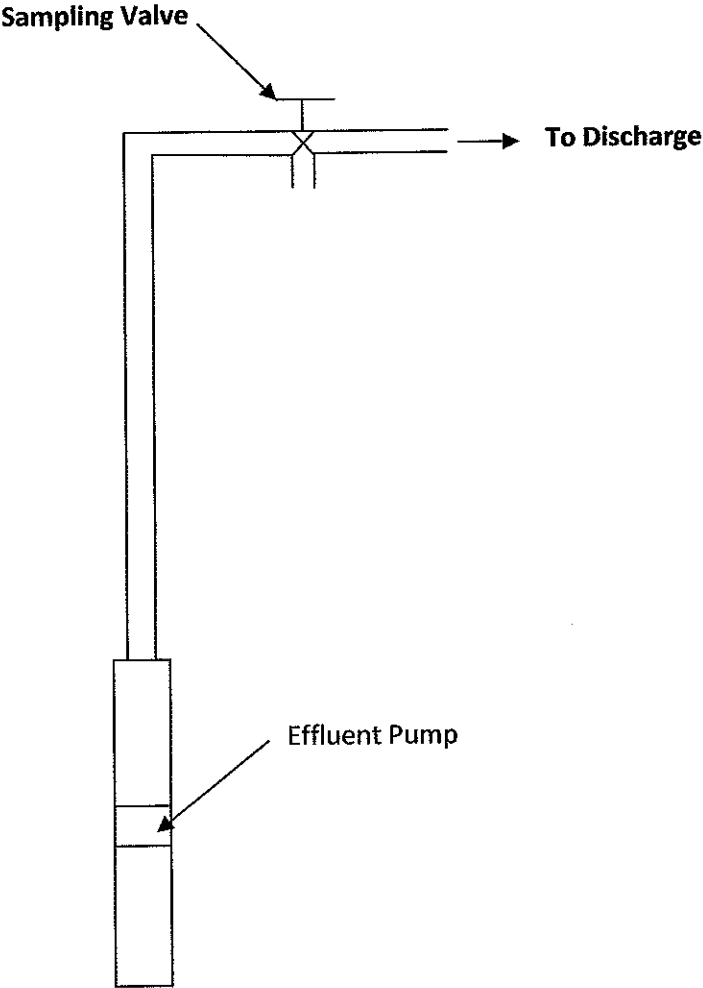
NO PART OF THE EQUIPMENT SHALL BE REPRODUCED, STORED IN ANY RETRIEVAL SYSTEM, OR TRANSMITTED IN ANY FORM OR BY ANY MEANS, ELECTRONIC OR MECHANICAL, INCLUDING PHOTOCOPYING, RECORDING OR OTHERWISE WITHOUT THE PRIOR WRITTEN PERMISSION OF ECOLOGICAL TANKS, INC.

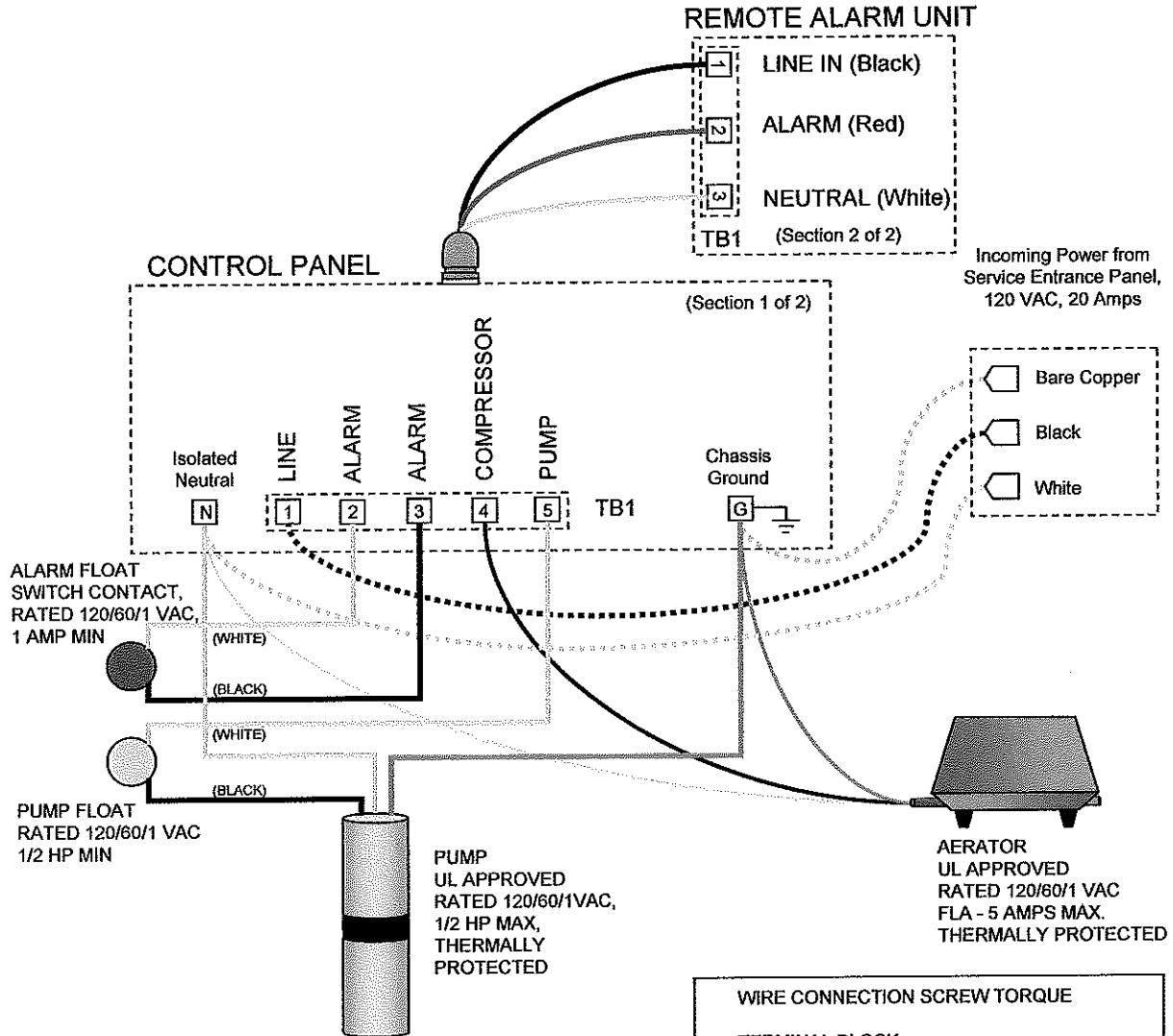
SCALE:	DATE	DRAWING NO.
NTS	10/19/09	AS600+4NR + UV (4)

## Sampling Port for Gravity Discharge



# Diagram of Sampling Valve on Pump Discharge Line



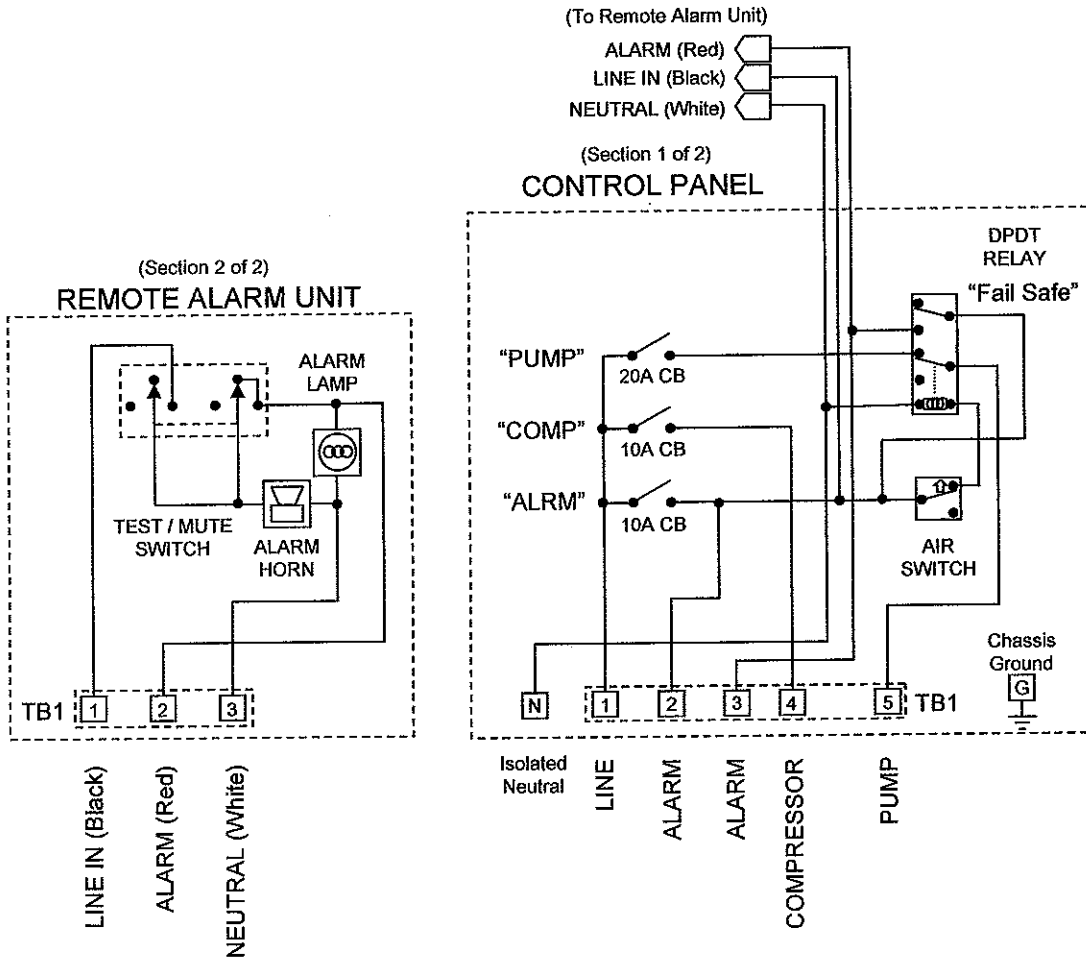


Notes for field installed components:

1. Main Disconnect, Branch Circuit Protection, wiring and external components to be provided by installer.
2. Field wiring - #14 - #10 AWG, 60°C min, use copper conductors only.
3. Field installed conduit fittings must be rated for use with Type 4X Enclosure.
4. Conduit openings must be sealed around wiring with an electrical grade (non-corrosive) sealant to prevent potentially harmful vapors from entering the control panel.

Copyright Notice

All information contained on this page is proprietary to Ecological Tanks, Inc. and no part of this information may be reproduced, stored in a retrieval system or transmitted in any form or by any means, electronic, mechanical, photocopying, recording or otherwise without the prior written permission of Ecological Tanks, Inc..

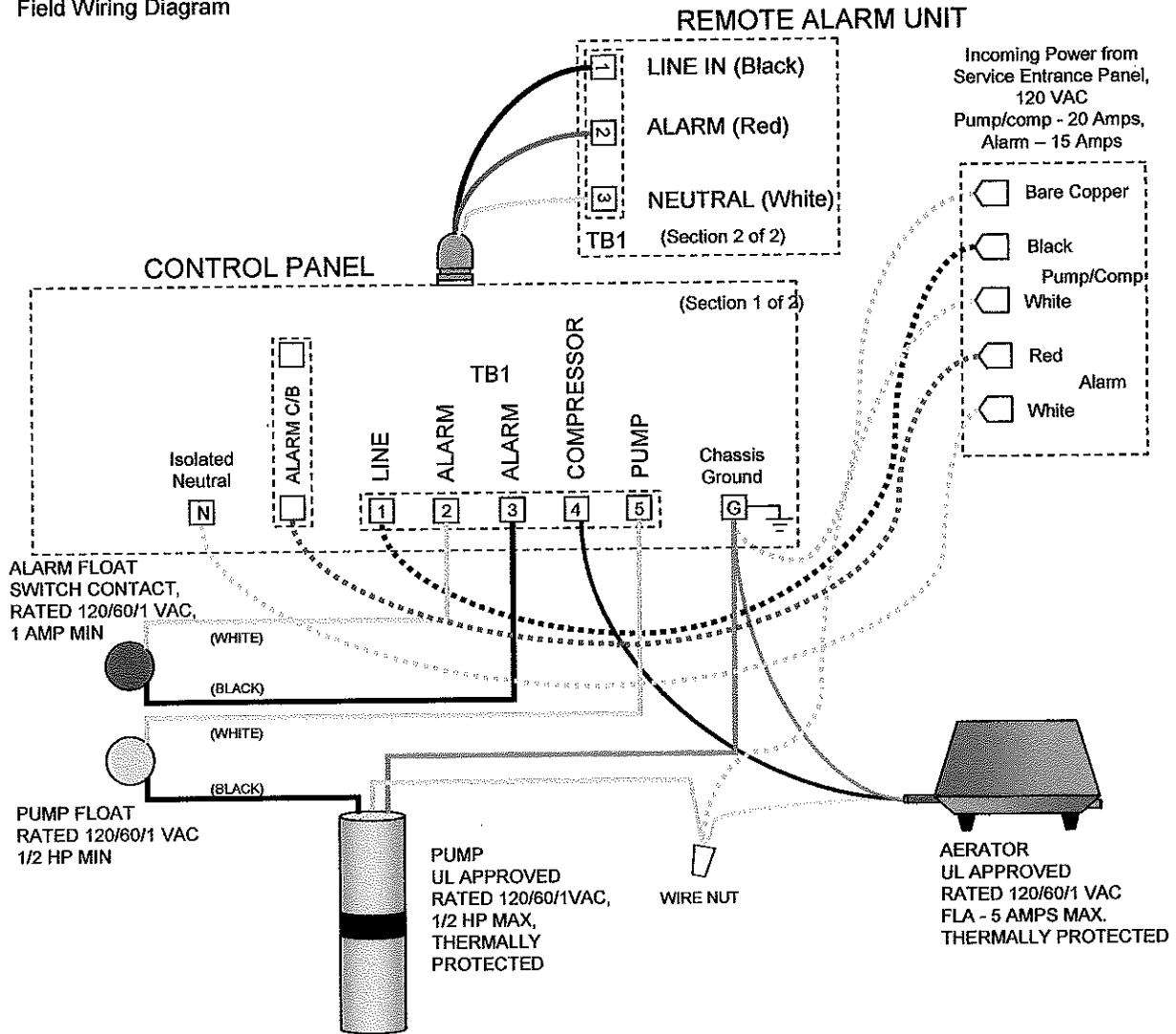


Copyright Notice

All information contained on this page is proprietary to Ecological Tanks, Inc. and no part of this information may be reproduced, stored in a retrieval system or transmitted in any form or by any means, electronic, mechanical, photocopying, recording or otherwise without the prior written permission of Ecological Tanks, Inc..



**Model RAB 202FS With separate Alarm power circuit**  
**Field Wiring Diagram**



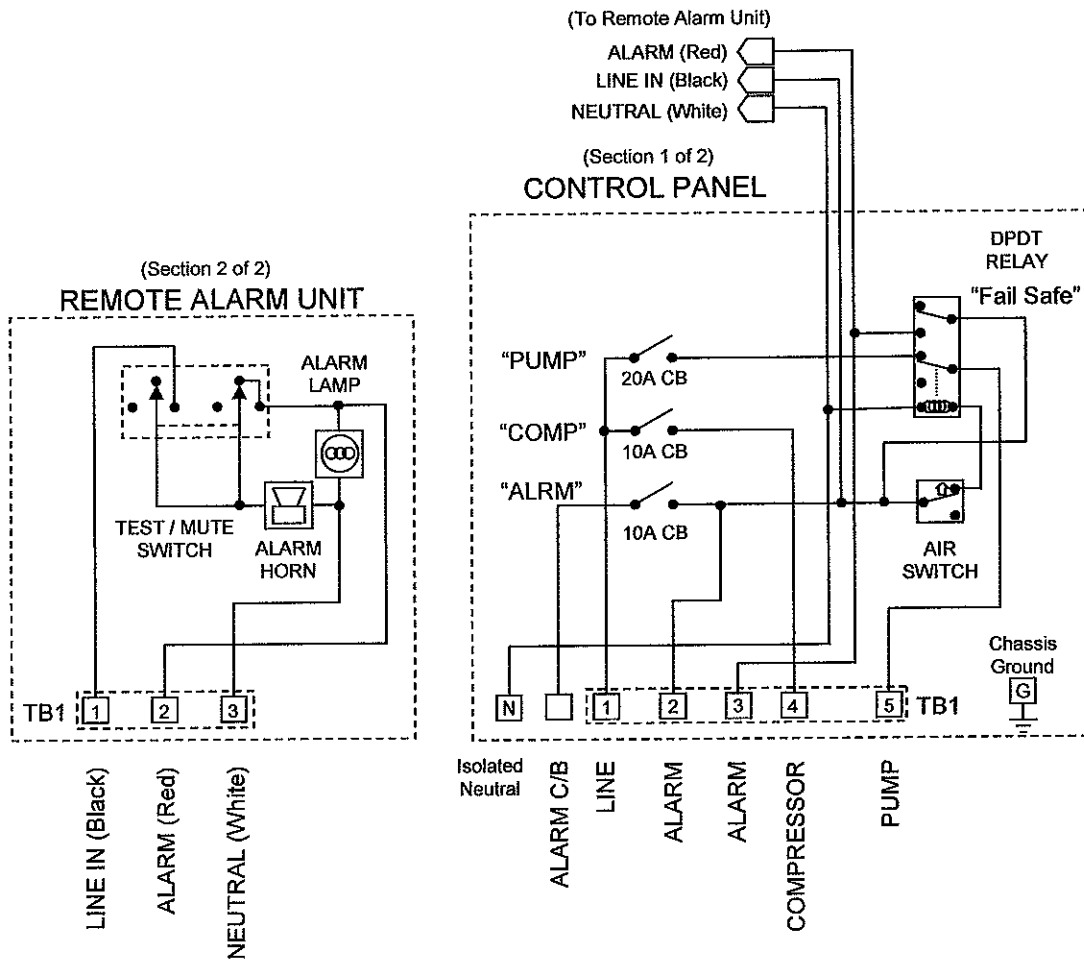
- To connect panel with separate input power for the alarm circuit:
1. Remove the black jumper between the Compressor breaker and the Alarm breaker. Re-tighten the black wire remaining in the Compressor breaker.
  2. Install alarm line wire directly into Alarm breaker. Install pump/compressor line in terminal block Line terminal, same as standard installation. Install neutral from alarm circuit in Neutral bar. Connect neutrals from pump, compressor, and pump/compressor line together with a wire nut.

WIRE CONNECTION SCREW TORQUE	
TERMINAL BLOCK	
#8 SCREW	14 - 10 AWG - 16 IN LBS
#6 SCREW	14 - 12 AWG - 9 IN LBS
NEUTRAL/GND LUGS	14 - 10 AWG - 35 IN LBS
	8 AWG - 40 IN LBS
	6 - 4 AWG - 45 IN LBS

- Notes for field installed components:
1. Main Disconnect, Branch Circuit Protection, wiring and external components to be provided by installer.
  2. Field wiring - #14 - #10 AWG, 60°C min, use copper conductors only.
  3. Field installed conduit fittings must be rated for use with Type 4X Enclosure.
  4. Conduit openings must be sealed around wiring with an electrical grade (non-corrosive) sealant to prevent potentially harmful vapors from entering the control panel.

**Copyright Notice**

All information contained on this page is proprietary to Ecological Tanks, Inc. and no part of this information may be reproduced, stored in a retrieval system or transmitted in any form or by any means, electronic, mechanical, photocopying, recording or otherwise without the prior written permission of Ecological Tanks, Inc..



Copyright Notice

All information contained on this page is proprietary to Ecological Tanks, Inc. and no part of this information may be reproduced, stored in a retrieval system or transmitted in any form or by any means, electronic, mechanical, photocopying, recording or otherwise without the prior written permission of Ecological Tanks, Inc..

## **Model RAB202FS (Fail-Safe) Alarm/Control Panel**

The Model RAB202FS control panel has a failsafe relay that is controlled by the air pressure switch and/or float. When a low air pressure condition or a high water condition occurs, the air switch activates the failsafe relay. The failsafe relay then turns on the alarm and disconnects power to the pump.

### **Specifications:**

Input power: 120 VAC, 60 Hz, 1 Phase, 20 Amps  
Pump: 120 VAC, 20 Amp C/B, 1 H/P max.  
Compressor: 120 VAC, 10 Amp C/B, ½ Hp max.  
Alarm: 120 VAC, 10 Amp C/B, Alarm/Control power

### **Control Features:**

**Pump Control:** Pump on/off is controlled by the water level at the pump float. Includes Pump Test switch to verify operation of the effluent pump

Individual circuit breakers provide short circuit protection and disconnect feature for compressor, pump and alarm circuit.

**Alarm:** Visual and audible (90 dB) alarm for High Water and Low Air Pressure faults. Includes Mute/Test switch to verify operation of the alarm circuits and to silence the audible alarm until fault is cleared.

**Enclosure:** 8" x 8" x 4" poly enclosure rated NEMA 4X (waterproof).

**Certifications:** NSF/ANSI Standard 40 approved  
UL Listed (UL508A) Control Panel for USA/Canada