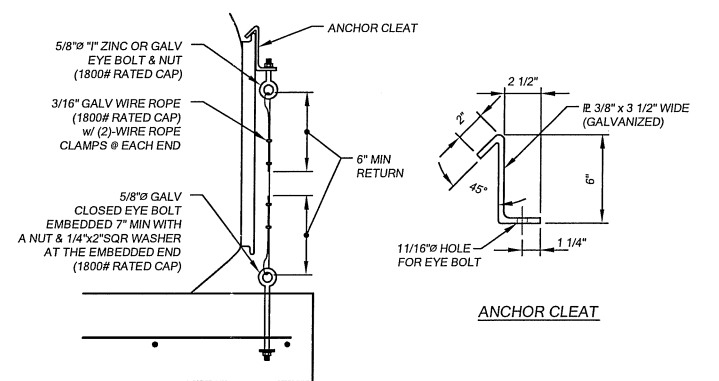
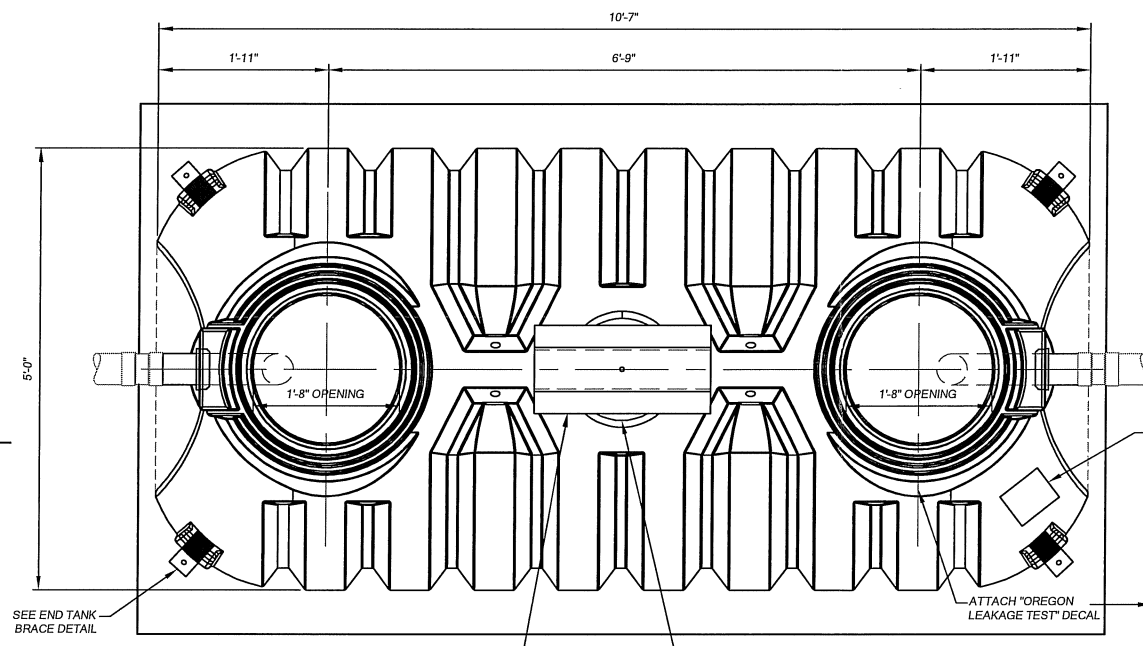
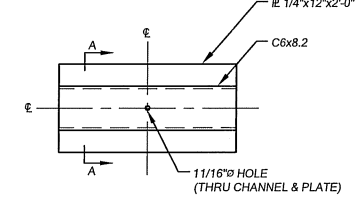


**APPROVED**  
By Oregon DEQ on January 06, 2012

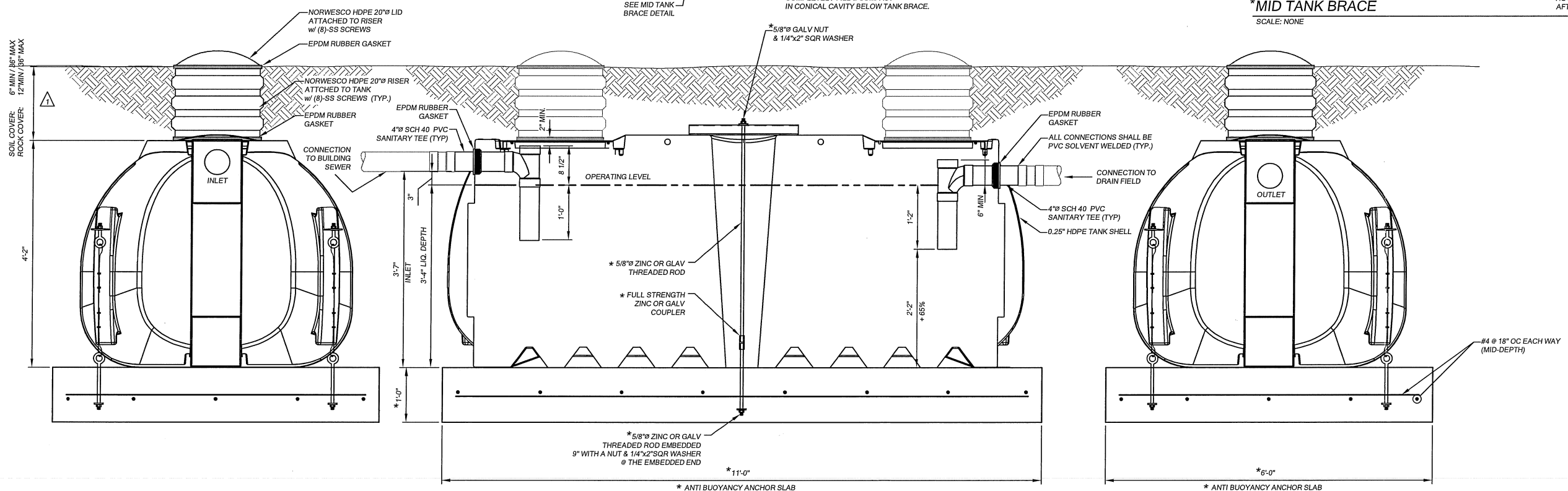


**\*END TANK BRACE**  
SCALE: NONE



**\*MID TANK BRACE**  
SCALE: NONE

NOTE:  
HOT DIP GALVANIZE THE BRACE ASSEMBLY AFTER FABRICATION TO ASTM 123



INLET END VIEW

TANK SECTION VIEW

OUTLET END VIEW

SCALE: 1" = 1'-0"

**GENERAL NOTES**

**TANK PROPERTIES**  
TOTAL VOLUME: 1,171 gal ±  
AVG. VOL./DEPTH: 25.5 gal/ft  
VOLUME: 1078 gal ± (BELOW INLET INVERT)  
LIQUID VOLUME: 1,002 gal ± (BELOW OUTLET INVERT)  
SCUM STORAGE = 1171 - 1002 = 169 gal (16.8%)

**MATERIAL**  
MOLDED TANK & COMPONENTS:  
HIGH DENSITY POLYETHYLENE (HDPE)  
STEEL COMPONENTS OF THE COUNTER BUOYANCY SYSTEM:  
THREADED RODS & BOLTS: ASTM A307  
STEEL PLATE: ASTM A36  
STEEL ANCHOR CHANNEL: ASTM A36  
WIRE ROPE: ASTM 1007-07

CONCRETE:  
MIN 28 DAY COMPRESSIVE STRENGTH OF 2500PSI (F<sub>c</sub>: 2500PSI)

**DESIGN LOADS**

TANK TOP: 360psf or 2500 WHEEL  
TANK WALL & BOTTOM: 62.4 PCF HYDROSTATIC  
SOIL COVER: 9" MIN  
SOIL LOAD: 120 PCF

**CONSTRUCTION NOTES**

1. MOLDING SHALL BE CONTROLLED TO ENSURE WATERTIGHTNESS.

**TANK IDENTIFICATION MARKINGS**

MARK EACH TANK LID OVER OUTLET WITH:  
LIQUID CAPACITY: 1,000 GALLONS  
MINIMUM BURIAL DEPTH: 6" MIN - SOIL TERRAIN  
12" MIN - ROCK TERRAIN  
MAXIMUM WHEEL LOAD: 2500 POUNDS  
DATE OF MANUFACTURE:  
MFG. NUMBER:  
NORWESCO, INC., ST BONIFACIUS, MN

**TEST**

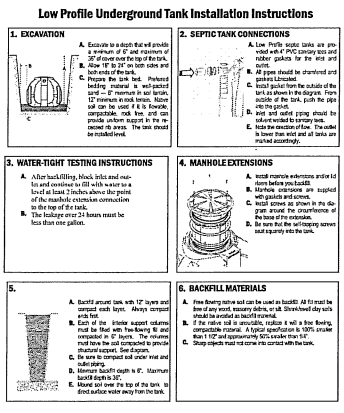
TANKS SHALL BE TESTED & CERTIFIED WATERTIGHT AFTER INSTALLATION PER OREGON ADMINISTRATIVE RULES 340-73-0025 (3)

OAR 340-73-0025(3) STATES THAT AFTER INSTALLATION, ALL TANKS MUST BE TESTED WATERTIGHT. THE INSTALLER MUST TEST EA. TANK FOR WATERTIGHTNESS BY FILLING THE TANK TO AT LEAST 2" ABOVE THE POINT OF RISER CONNECTION TO THE TOP OF THE TANK. DURING THE TEST THERE MAY BE NO MORE THAN ONE GALLON LEAKAGE OVER A 24 HR PERIOD.

**ANTI BUOYANCY NOTES**

1. ANTI BUOYANCY ANCHORAGE AND CONCRETE BASE SLAB ARE SHOWN ON THE PLAN BUT ARE ONLY NECESSARY WHEN SATURATED SOIL OR SEASONAL HIGH WATER TABLES ARE EXPECTED TO RISE TO A LEVEL BETWEEN THE BOTTOM OF THE TANK AND THE GROUND SURFACE.

**NORWESCO**



**CAUTION**

Failure to comply with the points below voids warranty.  
A. Tanks are not fire-resistant. Do not store them near an open flame or heat in excess of 180 °F.  
B. Do not install any tank under the path of vehicles or heavy equipment. Low Profile tanks are not traffic rated.  
C. Do not leave Low Profile tanks empty for more than 24 hours.  
D. Low Profile septic tanks are designed only for use as underground tanks.  
E. Low Profile tanks are made of resins that meet FDA specifications.  
F. Protect the tank from sharp objects which could puncture it and cause leakage.  
G. Where saturated soil or seasonal high water tables are indicated between the bottom of the tank and the ground surface, see separate supplemental installation instructions for these site conditions. Supplemental instructions can be found on our website.

**WARRANTY**

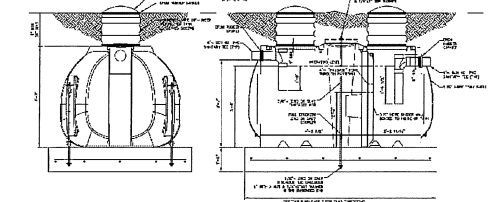
The Norwesco underground tanks, when installed in accordance to manufacturer's instructions, are warranted against defective materials and/or workmanship for a full three (3) years from the date of manufacture. Should a defect appear within the warranty period, Norwesco will supply a new equivalent tank in replacement thereof. Norwesco's liability is limited to the value of the tank and specifically excludes the cost of installation and/or removal and consequential damages.

**NORWESCO**  
NORWESCO INC.  
4345 Steiner Street  
P.O. Box 439  
St. Bonifacius, MN 55375-0439  
TEL (212) 444-1945 FAX (800) 874-2371  
www.norwesco.com

**NORWESCO**

**Low Profile Underground Tank Counter Buoyancy Instructions**

1. These instructions are a supplement to the general installation instructions included with the tank.  
2. Check with your local authorities to ensure code compliance in your area.  
3. Specific details of field seal construction are on page 2 of this document.  
4. This document applies to the 750, 1000, 1250, and 1500 gallon Norwesco Low Profile septic and storm tanks.  
5. Note: 1250 and 1500 gallon tanks require one on-site tank brace at the top of each column.



**PARKIN ENGINEERING INC.**  
CONSULTING AND STRUCTURAL ENGINEERING  
14074 NE SALMON CREEK AVE.  
VANCOUVER, WA 98686  
(360) 694-8378  
FAX (360) 694-3376

DATE:	7/16/2010
SCALE:	
ENGINEER:	BK
DRAFTER:	SLMc
CHECK:	BK
FILE:	10D16064-S2.00

**NORWESCO, INC / SNYDER INDUSTRIES INC**  
4365 STEINER STREET  
ST BONIFACIUS, MN 55375  
PC# 94099

1,000 GALLON SEPTIC TANK (LOW PROFILE)  
OREGON  
NORWESCO PART # (43496)  
SNYDER INDUSTRIES PART # (1006800w95301)

SHEET TITLE:  
TANK / SLAB  
LAYOUT & DETAILS

**S2.10**