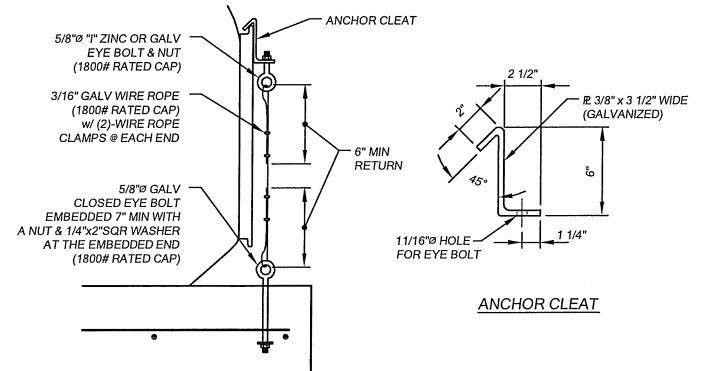
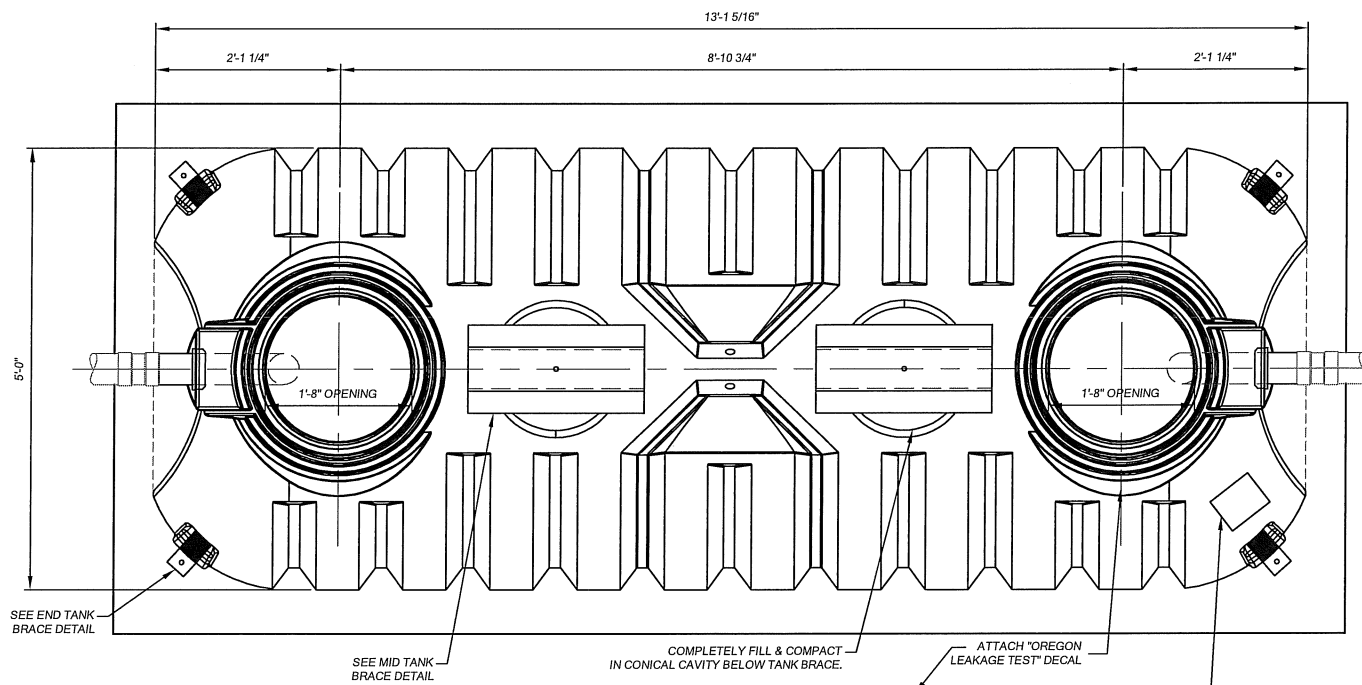


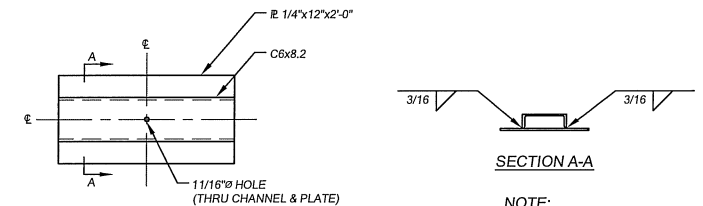
TOP VIEW

APPROVED
By Oregon DEQ on January 06, 2012



*END TANK BRACE

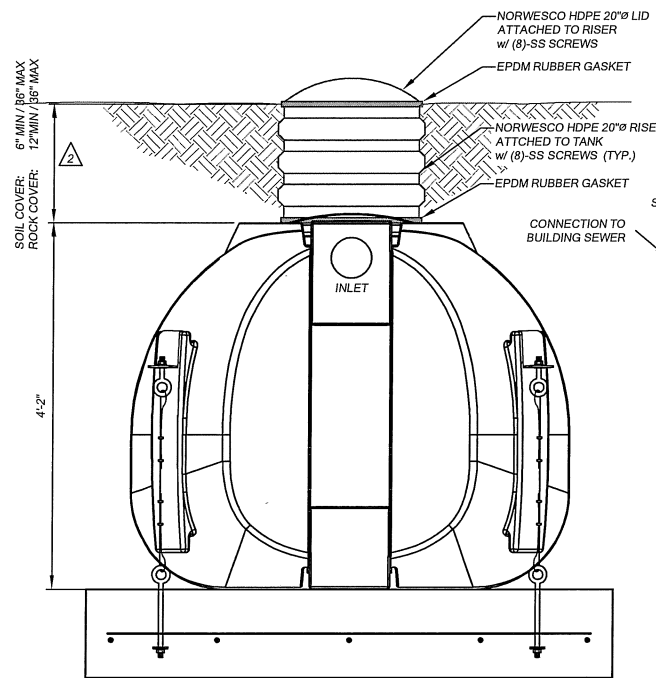
SCALE: NONE



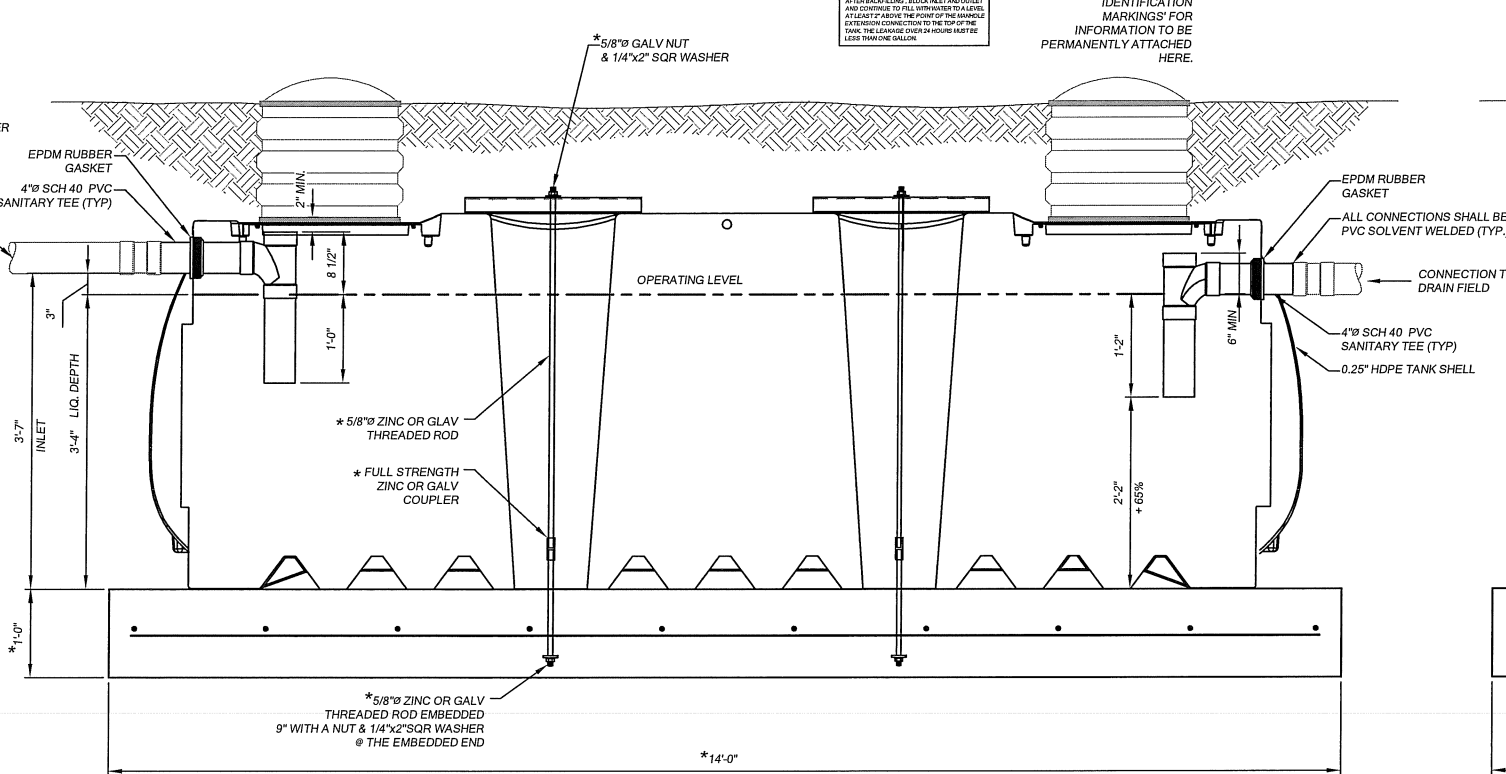
*MID TANK BRACE

SCALE: NONE

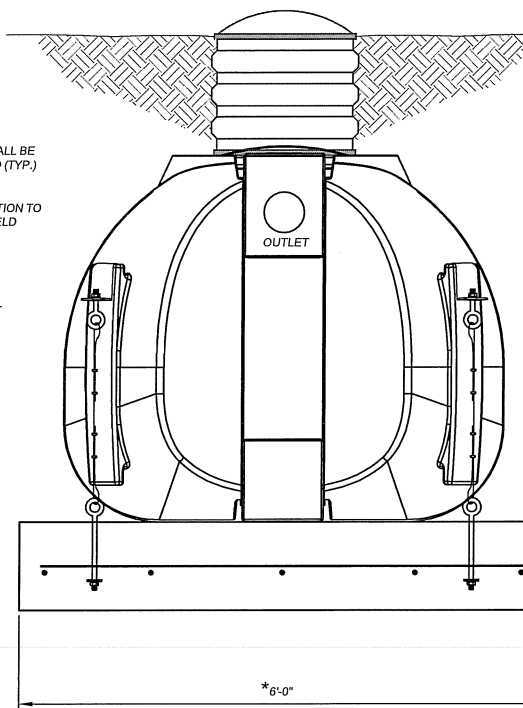
NOTE: HOT DIP GALVANIZE THE BRACE ASSEMBLY AFTER FABRICATION TO ASTM 123



INLET END VIEW



TANK SECTION VIEW



OUTLET END VIEW

SCALE: 1" = 1'-0"

GENERAL NOTES

TANK PROPERTIES

TOTAL VOLUME: 1,429 gal ±
AVG. VOL/DEPTH: 31.6 gal/ft
VOLUME: 1358 gal ± (BELOW INLET INVERT)
LIQUID VOLUME: 1,263 gal ± (BELOW OUTLET INVERT)
SCUM STORAGE = 1429 - 1263 = 166 gal (13.1%)

MATERIAL

MOLDED TANK & COMPONENTS: HIGH DENSITY POLYETHYLENE (HDPE)
STEEL COMPONENTS OF THE COUNTER BUOYANCY SYSTEM: THREADED RODS & BOLTS: ASTM A307
STEEL PLATE: ASTM A36
STEEL ANCHOR CHANNEL: ASTM A36
WIRE ROPE: ASTM 1007-07

DESIGN LOADS

TANK TOP: 360psf or 2500 WHEEL
TANK WALL & BOTTOM: 62.4 PCF HYDROSTATIC
SOIL COVER: 6" MIN
SOIL LOAD: 120 PCF

CONSTRUCTION NOTES

1. MOLDING SHALL BE CONTROLLED TO ENSURE WATERTIGHTNESS.

TANK IDENTIFICATION MARKINGS

MARK EACH TANK LID OVER OUTLET WITH:
LIQUID CAPACITY: 1,250 GALLONS
MINIMUM BURIAL DEPTH: 6" MIN - SOIL TERRAIN
12" MIN - ROCK TERRAIN
MAXIMUM WHEEL LOAD: 2500 POUNDS
DATE OF MANUFACTURE: _____
MFG. NUMBER: _____
NORWESCO, INC., ST BONIFACIUS, MN

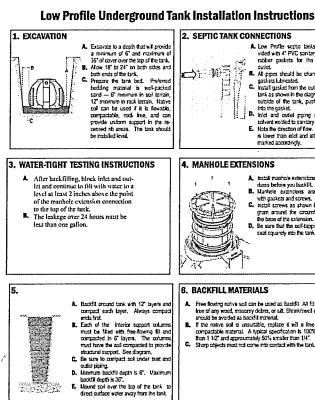
TEST

TANKS SHALL BE TESTED & CERTIFIED WATERTIGHT AFTER INSTALLATION PER OREGON ADMINISTRATIVE RULES 340-73-0025 (3)

OAR 340-73-0025(3) STATES THAT AFTER INSTALLATION, ALL TANKS MUST BE TESTED WATERTIGHT. THE INSTALLER MUST TEST EA, TANK FOR WATERTIGHTNESS BY FILLING THE TANK TO AT LEAST 2" ABOVE THE POINT OF RISER CONNECTION TO THE TOP OF THE TANK. DURING THE TEST THERE MAY BE NO MORE THAN ONE GALLON LEAKAGE OVER A 24 HR PERIOD.

ANTI BUOYANCY NOTES

1. ANTI BUOYANCY ANCHORAGE AND CONCRETE BASE SLAB ARE SHOWN ON THE PLAN BUT ARE ONLY NECESSARY WHEN SATURATED SOIL OR SEASONAL HIGH WATER TABLES ARE EXPECTED TO RISE TO A LEVEL BETWEEN THE BOTTOM OF THE TANK AND THE GROUND SURFACE.



CAUTION

Failure to comply with the points below voids warranty.

- Tanks are not fire-resistant. Do not store them near an open flame or heat in excess of 180 °F.
- Do not install any tank under the path of vehicles or heavy equipment. Low Profile tanks are not traffic rated.
- Do not leave Low Profile tanks empty for more than 24 hours.
- Low Profile septic tanks are designed only for use as underground tanks.
- Low Profile tanks are made of resins that meet FDA specifications.
- Protect the tank from sharp objects which could puncture it and cause leakage.
- Where saturated soil or seasonal high water tables are indicated between the bottom of the tank and the ground surface, see separate supplemental installation instructions for these site conditions. Supplemental instructions can be found on our website.

Norwesco advises against the use of a plastic underground tank for any other use! Such uses would void any Norwesco product warranty either stated or implied. In no event shall Norwesco be held liable for any consequential damages.

WARRANTY

The Norwesco underground tanks, when installed in accordance to manufacturer's instructions, are warranted against defects in materials and workmanship for a full three (3) years from the date of manufacture. Should a defect appear within the warranty period, Norwesco will supply a new equivalent tank in replacement thereof. Norwesco's liability is limited to the value of the tank and specifically excludes the cost of installation and/or removal and consequential damages.

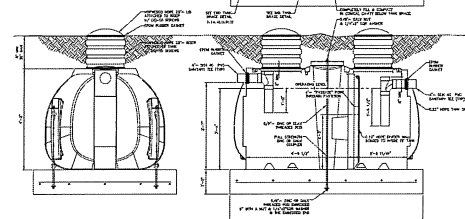


NORWESCO INC.
4000 Steiner Street
P.O. Box 439
St. Bonifacius, MN 55375-0439
TEL (952) 446-1945 FAX (952) 874-2371



Low Profile Underground Tank Counter Buoyancy Instructions

- These instructions are a supplement to the general installation instructions included with the tank.
- Check with your local sanitarians to ensure code compliance in your area.
- Specific details of individual components are on page 2 of this document.
- This document applies to the 750, 1000, 1250, and 1500 gallon Norwesco Low Profile septic and clean tanks.
- Note: 1250 and 1500 gallon tanks require two external tank braces at the top of each column.



PARKIN ENGINEERING INC.
CONSULTING AND STRUCTURAL ENGINEERING
RENEWAL DATE: 6-30-2011
14014 NE SALMON CREEK AVE.
VANCOUVER, WA 98686
(360) 694-6378
FAX (360) 694-3376

DATE:	7/16/2010
SCALE:	
ENGINEER:	BK
DRAFTER:	SLMc
CHECK:	BK
FILE:	10D160664-S2.00

NORWESCO, INC / SNYDER INDUSTRIES INC
4365 STEINER STREET
ST BONIFACIUS, MN 55375
PC# 94059

1,250 GALLON SEPTIC TANK (LOW PROFILE)
OREGON
NORWESCO PART # (43497)
SNYDER INDUSTRIES PART # (1006900w95301)

SHEET TITLE:
TANK / SLAB
LAYOUT & DETAILS

S2.20