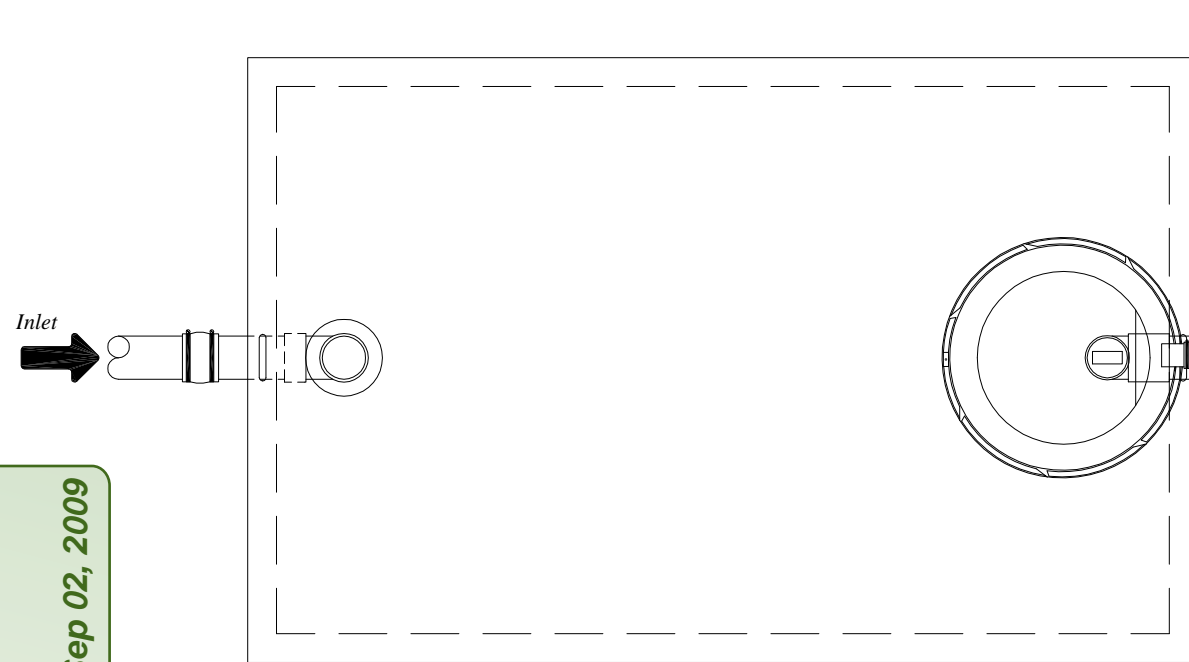
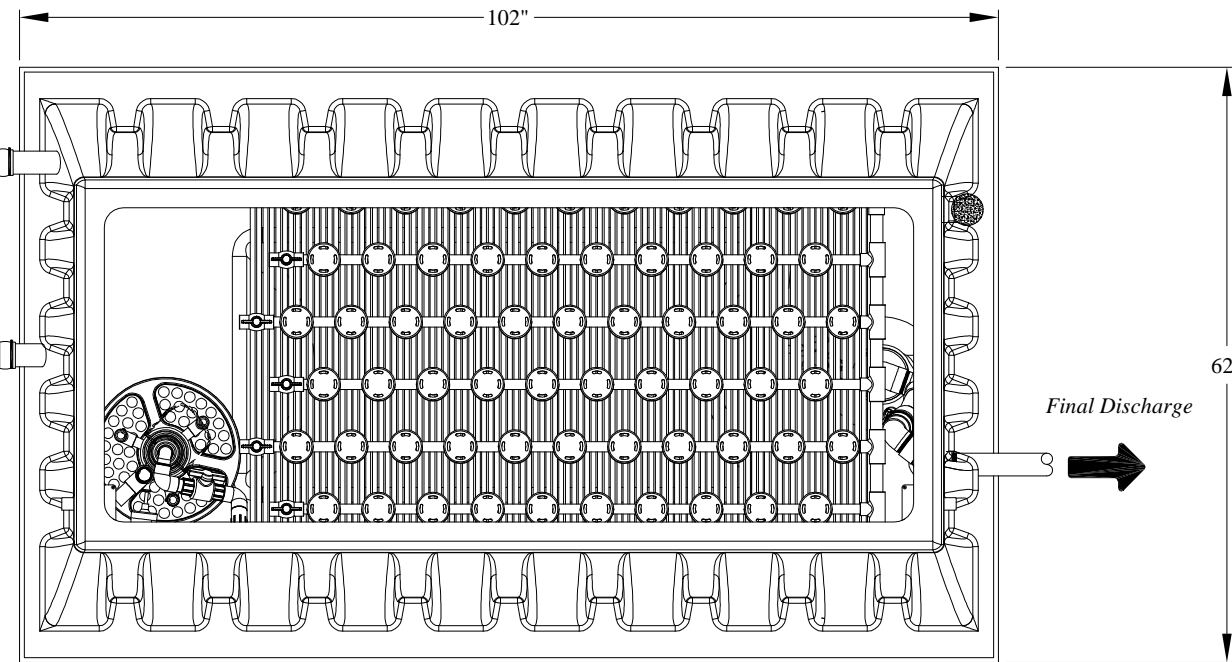


Treatment Standard 1 - Pump Discharge, 2-Comp. Recirculating Tank

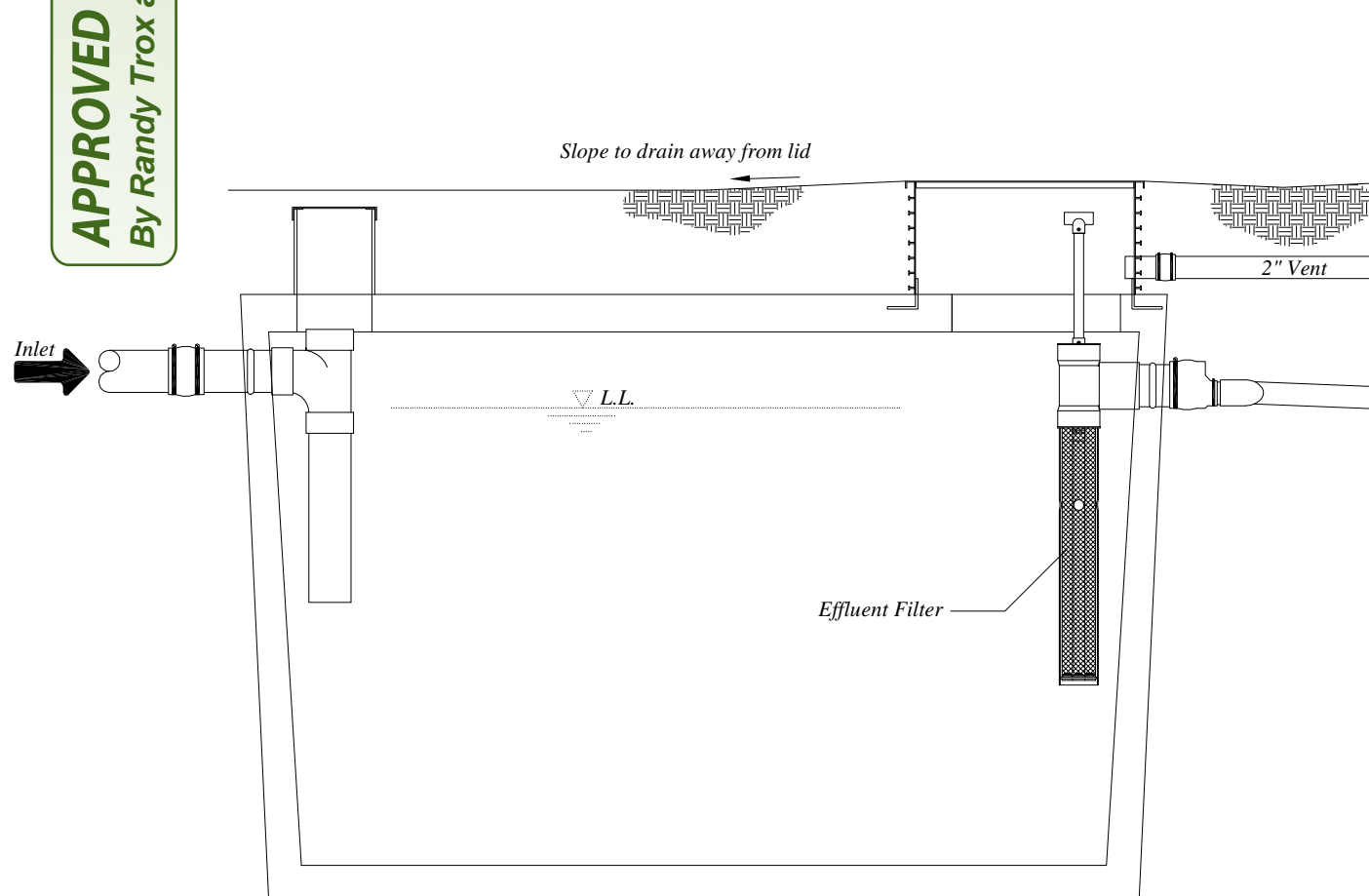
APPROVED
By Randy Trox at 9:11 am, Sep 02, 2009



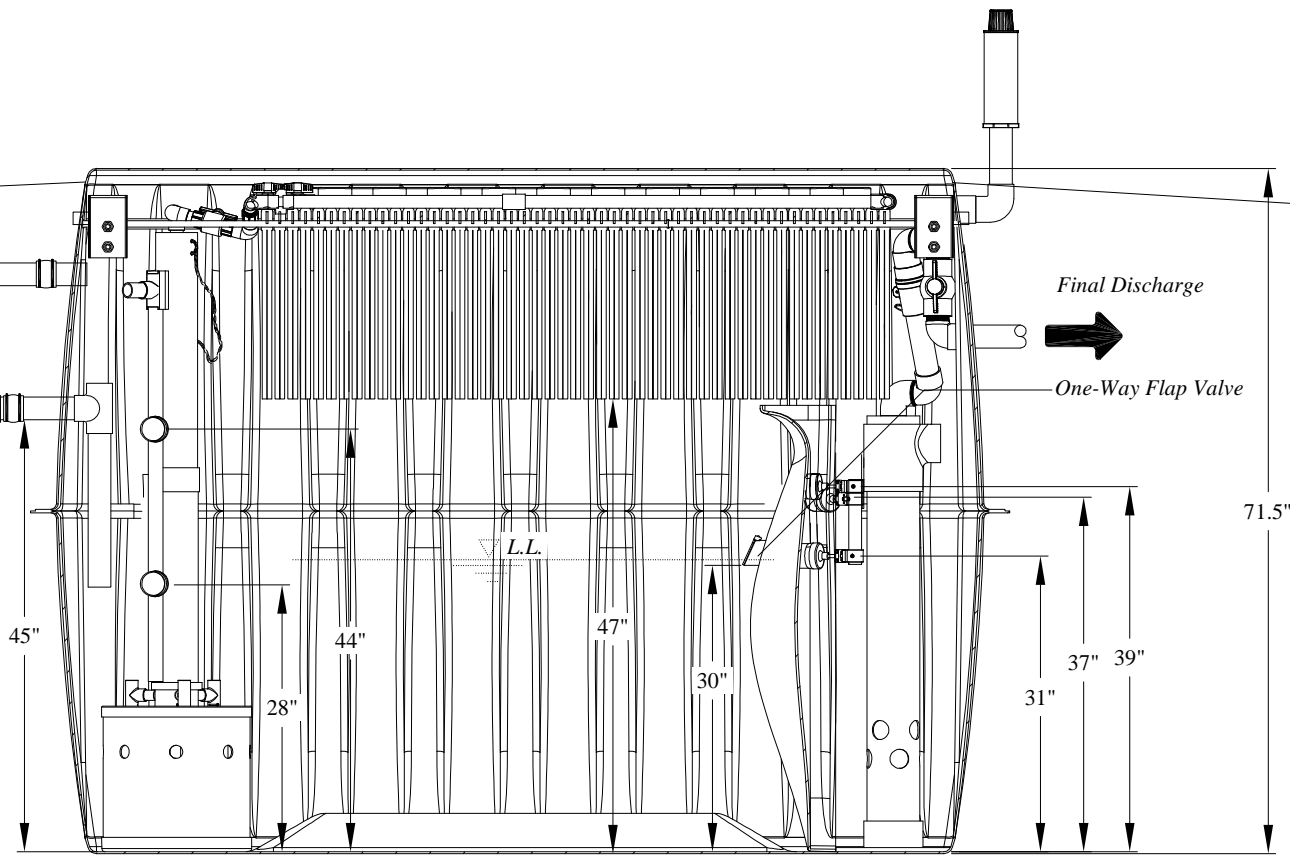
1000 gal. Primary Tank - Top View



800 gal. Recirculating Tank - Top View



1000 gal. Primary Tank - Side View



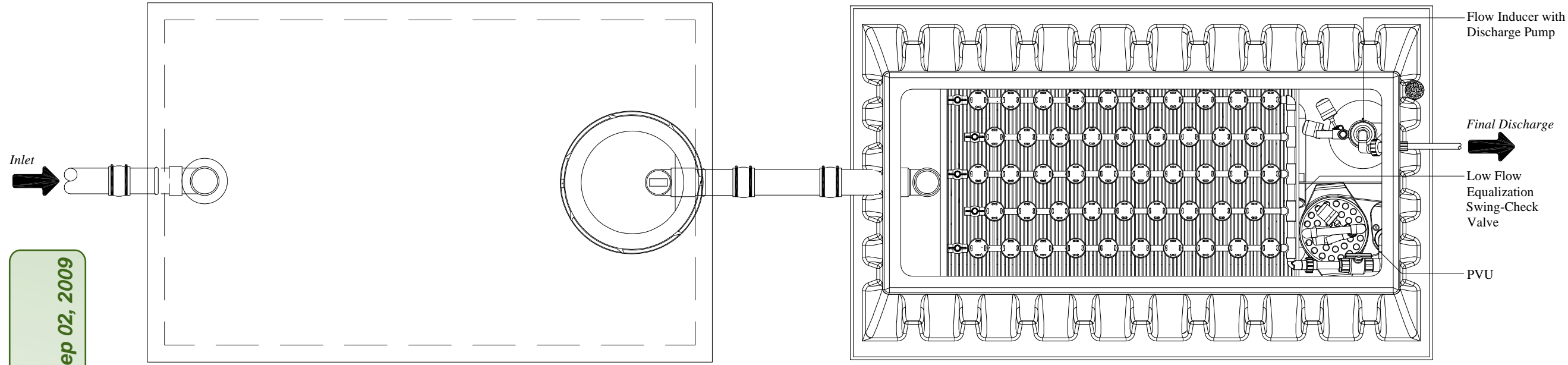
800 gal. Recirculating Tank - Side View



Title:	AX20RT 2P Treatment Standard 1		
	Drawing No.	Date:	Scale:
Drawn By:	CHRIS JORDAN	7/17/09	1" = 20"
Drawing:	4 OF 7		
Revision:	A-01		
Designed By:	ENGINEERING		
Approved By:			
Date Approved:			

U.S. Patents-4,439,323
5,492,635-6,372,137-5,360,556
5,980,748-5,531,894- 5,480,561
Other Patents Pending
© 2005 Orengo Systems®, Inc

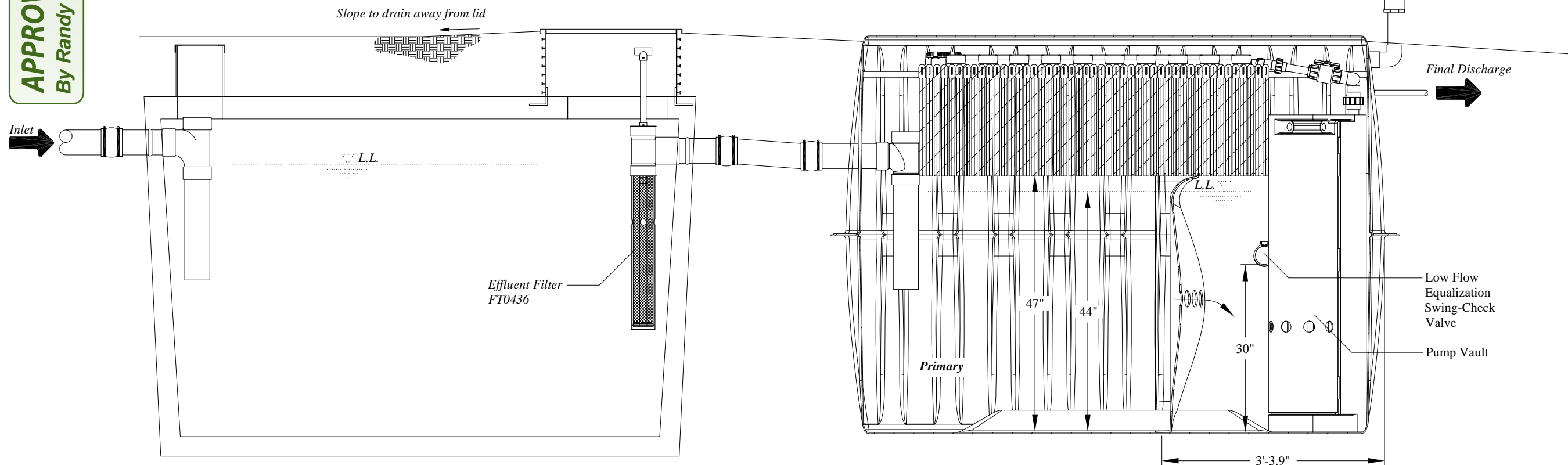
Treatment Standard 1 - Pump Discharge, 3-Comp. Recirculating Tank



1000 gal. Primary Tank - Top View

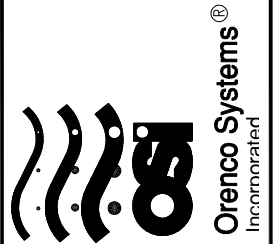
AX20 800 gal. Recirc. Tank - Top View

APPROVED
By Randy Trox at 9:11 am, Sep 02, 2009



1000 gal. Primary Tank - Side View

AX20 800 gal. Recirc. Tank - Side View



Title:	AX20RT 3P Treatment Standard 1		
	Drawing No.	7/17/09	
Drawn By:	CHRIS JORDAN	Date:	7/17/09
Drawing:	2 OF 7	Scale:	1" = 20"
Revision:	A-01		

Designed By: **ENGINEERING**
 Approved By:
 Date Approved:

U.S. Patents-4,439,323
 5,492,635-6,372,137-5,360,556
 5,980,748-5,531,894- 5,480,561
 Other Patents Pending
 © 2005 Orencia Systems®, Inc

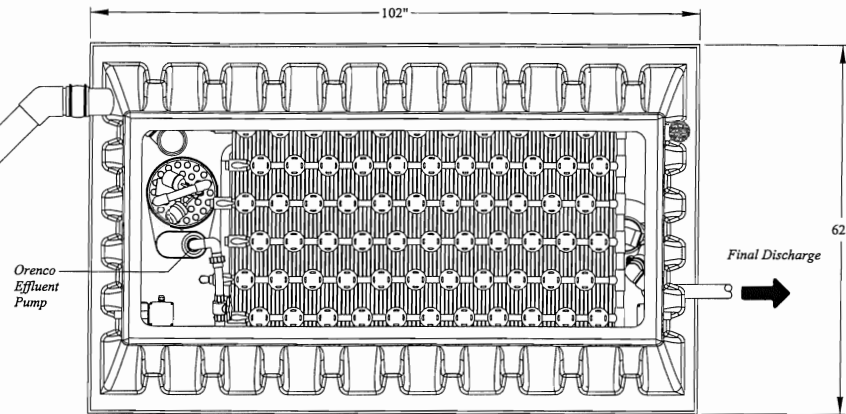
APPROVED

By Dan Wiltse at 5:02 pm, Jul 30, 2010

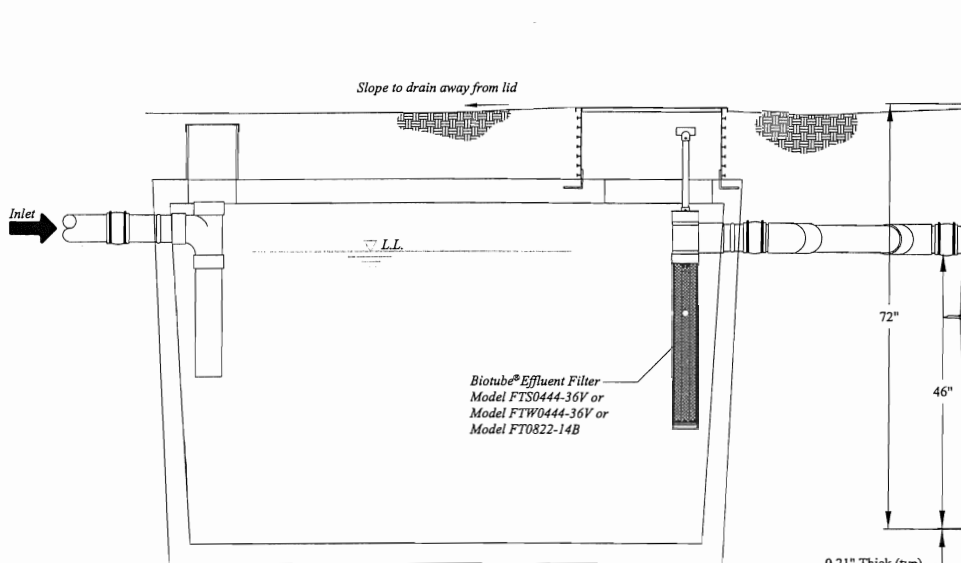
Treatment Standard 1 - Pump Discharge, 2-Comp. Recirculating Tank



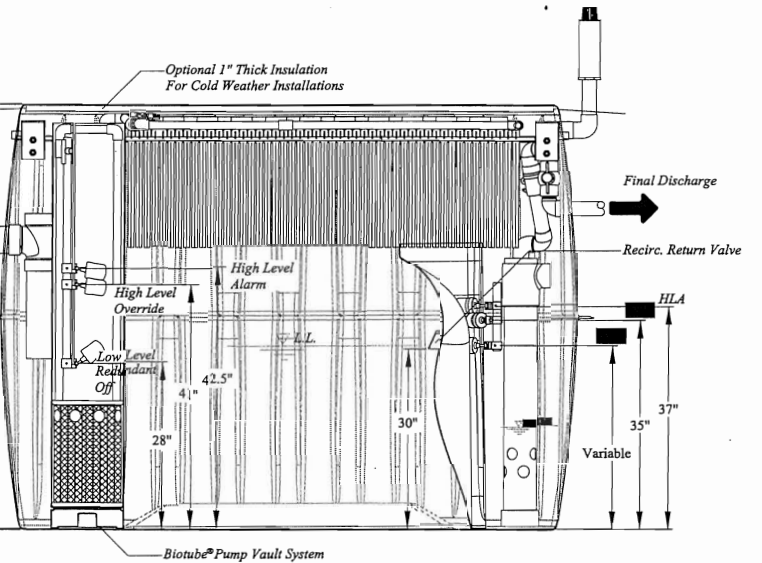
1000 gal. Primary Tank - Top View



800 gal. Recirculating Tank - Top View



1000 gal. Primary Tank - Side View



800 gal. Recirculating Tank - Side View



Orenco Systems®
Incorporated

Title:	AX20RT 2P Treatment Standard 1		
Drawing No.:	NDW-ATA-RT-OR-01		
Date:	5/19/2010	Scale:	1" = 20"

Drawn By:	BEN SMITH
Drawing:	1 OF 4
Revision:	A-01

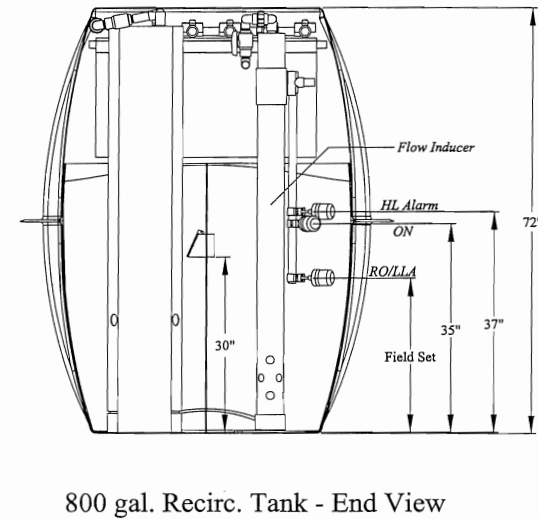
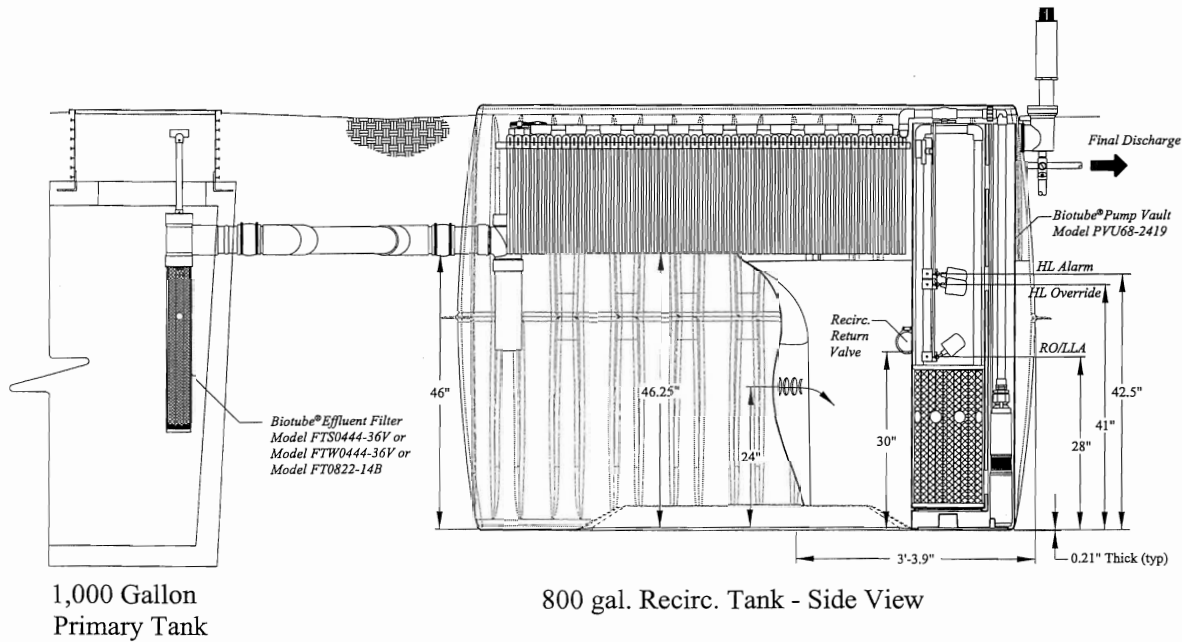
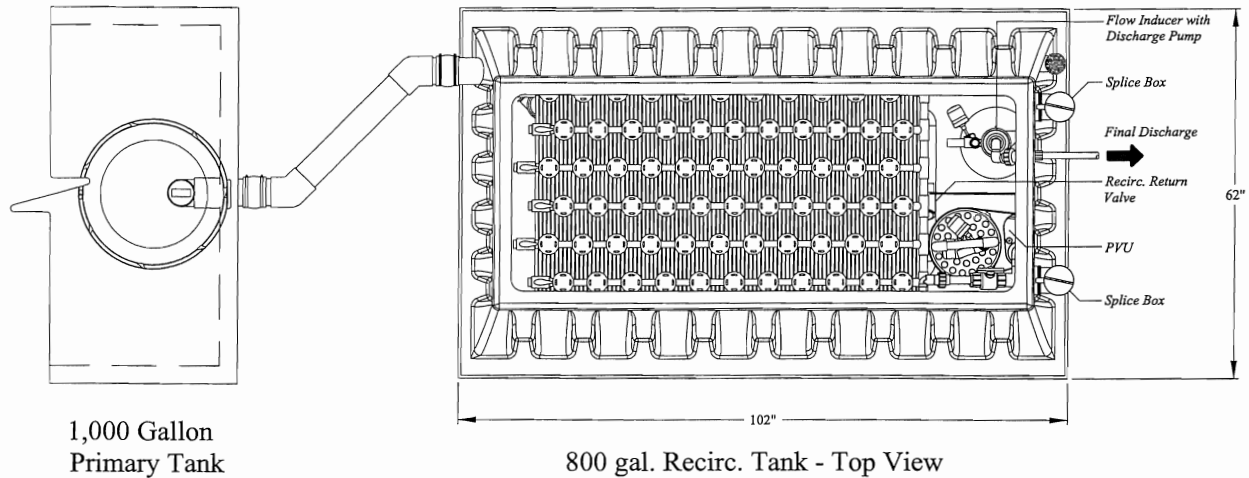
Designed By:	ENGINEERING
Approved By:	
Date Approved:	

U.S. Patents 4,438,323
5,492,695-6,372,137-5,360,556
5,980,748-5,531,894-5,480,561
Other Patents Pending
© 2005 Orenco Systems®, Inc

APPROVED

By Dan Wiltse at 5:02 pm, Jul 30, 2010

Treatment Standard 1 - Pump Discharge, 3-Comp. Recirculating Tank



Title: AX20RT 3P Treatment Standard 1

Drawing No. NDW-ATX-RT3-OR-02

Date: 5/19/2010

Scale: 1" = 20"

Drawn By: BEN SMITH

Drawing: 2 OF 4

Revision: A-01

Designed By: ENGINEERING

Approved By:

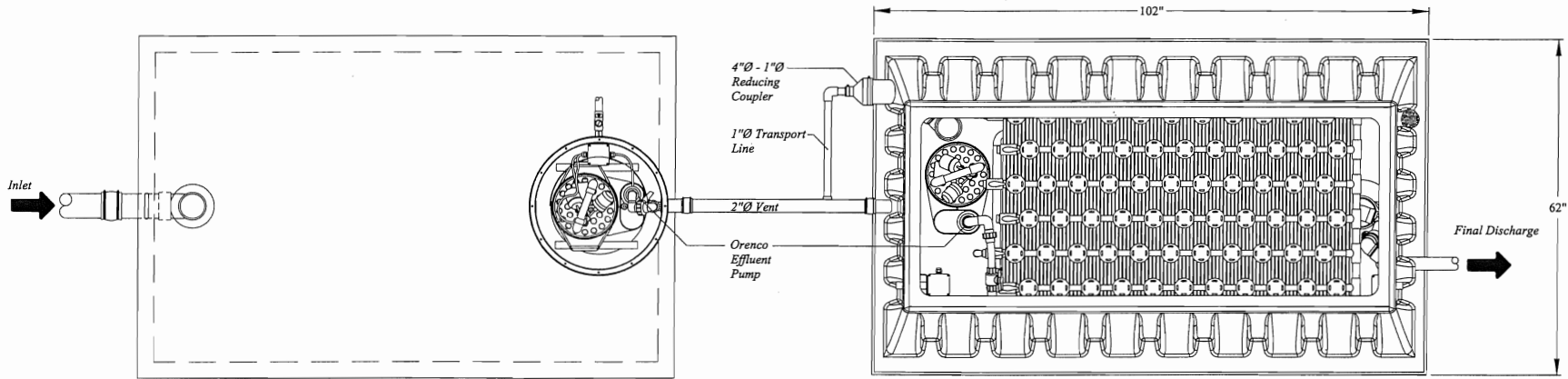
Date Approved:

U.S. Patents 4,439,323
5,492,635-6,372,137-5,360,556
5,980,748-5,531,894-5,490,561
Other Patents Pending
© 2005 Orenco Systems, Inc

APPROVED

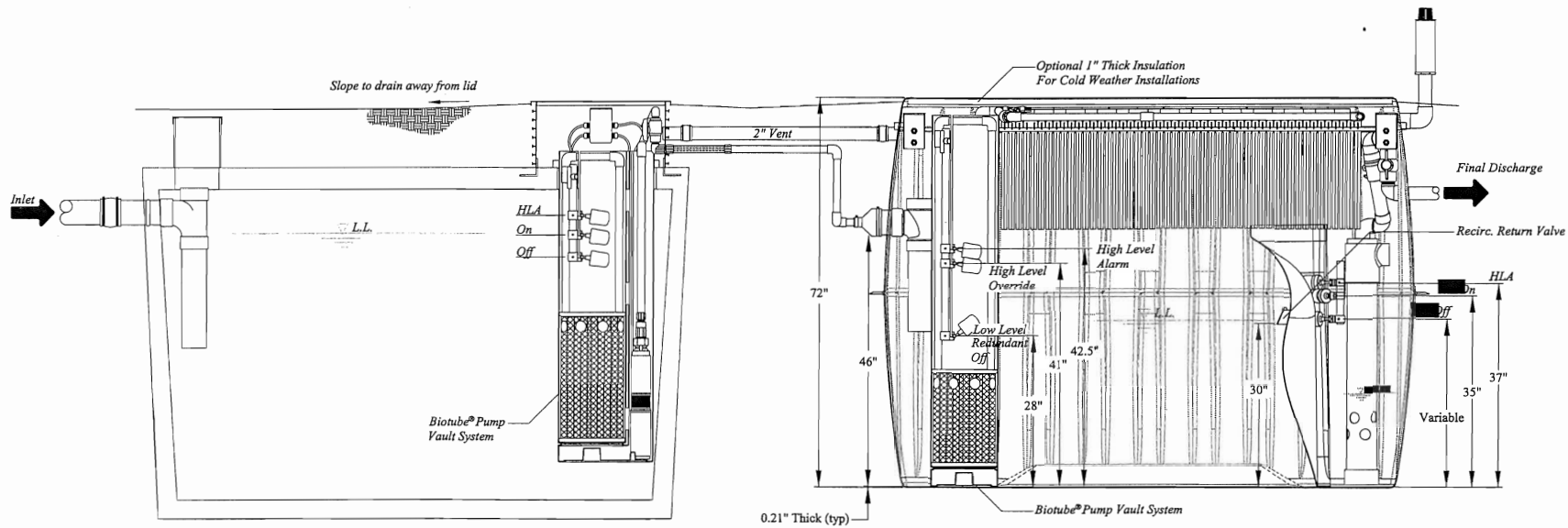
By Dan Wiltse at 5:02 pm, Jul 30, 2010

Treatment Standard 1 - Pump Discharge, 2-Comp. Recirculating Tank with Septic / Dosing Pump



1000 gal. Primary Tank - Top View

800 gal. Recirculating Tank - Top View



1000 gal. Primary Tank - Side View

800 gal. Recirculating Tank - Side View



Orenco Systems®
Incorporated

Title: AX20RT 2P Treatment Standard 1

Drawing No. NDW-ATX-RT-OR-05

Date: 6/22/2010 Scale: 1" = 20"

Drawn By: BEN SMITH

Drawing: / OF /

Revision: A-02

Designed By: ENGINEERING

Approved By:

Date Approved:

U.S. Patents 4,439,323
5,492,655-6,372,137-5,360,556
5,960,746-5,531,894- 5,480,561
Other Patents Pending
© 2005 Orenco Systems®, Inc

