



Oregon

Theodore Kulongoski, Governor

Department of Environmental Quality

Western Region Eugene Office

1102 Lincoln Street, Suite 210

Eugene, OR 97401

(541) 686-7838

FAX (541) 686-7551

TTY (541) 687-5603

May 21, 2009

Alex Mauck
ASM Consulting
931 Harlow Place
Troutdale, OR 97060

The Oregon Department of Environmental Quality (Department) has received plans, specifications and other associated materials you provided for septic tank configurations and manufactured by Premier Plastics, Inc. This letter is to inform you the following tank can be installed in the State of Oregon, based on your certification that it complies with all applicable Department rules and regulations:

➤ 1,000 gallon Supertank Septic Tank

Ash Creek Associates, Inc. was the engineering firm for all plans submitted. These plans were stamped by Stuart Albright and prepared in February, 2009. The plans, specifications and installation manuals are attached to this letter. Premier Plastics, Inc. is authorized to manufacture and distribute the above-mentioned tank for use in onsite wastewater treatment systems in Oregon until further notice, provided the following conditions are met:

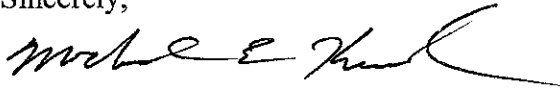
1. The tank must be manufactured in compliance with the Department's rules and the plans and design specifications provided. Any deviations from the plans and specifications are not permitted unless authorized in writing by the Department.
2. Each tank listed above must be manufactured to meet the structural specifications described in the plans and are only acceptable for use at locations where top loading will not exceed the engineering design parameters. Tanks proposed for use at other locations require an engineering analysis of the potential top loading, and may require preparation of site specific plans and specifications.
3. Premier Plastics, Inc. is responsible for providing a watertight tank. Also, each tank must be tested for watertightness in accordance with OAR 340-073-0025(3) after complete installation at the job site.
4. Premier Plastics, Inc. is to deliver to each purchaser, a complete and fully assembled tank, and provide all necessary risers, gaskets and covers.

5. It should be clear to each purchaser what type of traffic loads the tank can withstand. The tank is to be located in an area where the engineering parameters used in the design are not exceeded.
6. An installation manual, on waterproof paper or equivalent, must be provided with each tank. The manual must describe how to properly install the tank, how to properly connect the risers, gaskets, covers, and pipes, and outline testing procedures, tank backfill, and any other special precautions and limitations.
7. Each tank must be marked on the uppermost tank surface over the outlet with the liquid capacity, date of manufacture (Month/Day/Year), burial depth limits, and either the full business name or the assigned number 1080.

This determination should not be construed in anyway as the Department's endorsement of this product or any advertising. Moreover, the Department is not responsible for any situation which may result in use or mis-application of your product.

If you have any questions about this letter, please feel free to contact Randy Trox at (541) 687-7338, or by email, (trox.randall@deq.state.or.us).

Sincerely,



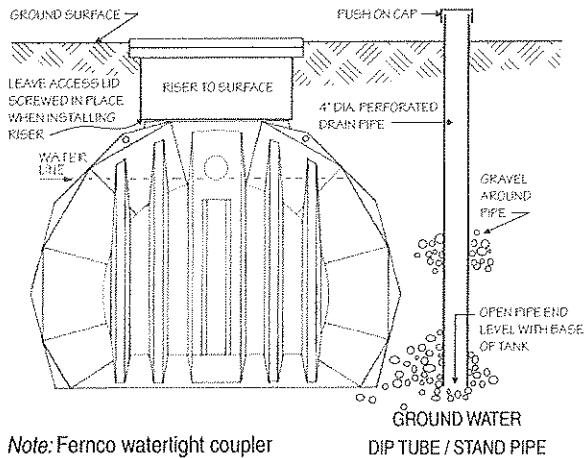
Michael E. Kucinski, Manager
Water Quality/Onsite

Enclosures: Approved Plans/ Approved Installation Guide

Electronic copies: All Contract County Offices (W/ enc)
 DEQ Direct Service Offices (W/ enc)
 Stuart Albright, Ash Creek Associates (W/ enc)

UNDERGROUND TANK INSTALLATION

OREGON DEQ



Note: Fernco watertight coupler provided on inlet and outlet.

★ **IMPORTANT: WARRANTY VOID IF INSTRUCTIONS NOT EXPRESSLY FOLLOWED.**

INSTALLATION CONSIDERATIONS:

- Tanks are approved for a maximum burial depth of 2.5 FEET above the top, or earth cover load of 300 lbs./sq.ft., unless otherwise approved. Refer to factory for burial depths greater than 2.5 feet.
- Do not locate under pathway of vehicles or heavy equipment.
- Keep away from large roots and rocks.
- Avoid placing tank in areas with high water table. Use reinforced tank and antiflotation treatment in high water table locations. Refer to drg 1535-00 for anti-buoyancy measures.
- In clay soils, use granular fill.
- Deflect surface run-off away from tank area. Fresh backfill is porous. Runoff can back up around tank.

Contact local Health Department for specific requirements.

★ **QUESTIONS? ★**
Call 1-800-661-4473



PREMIER PLASTICS INC.

8328 River Way, Delta, BC,
 Canada V4G 1C4

Bus: (604) 952-6686 Fax: (604) 952-6696
 Toll Free: 1-800-661-4473
 E-mail: premier@ultranet.ca
 www.premierplastics.com

INSTALLATION PROCEDURE:

EXCAVATION:

- Select site with good sub-soil drainage.
- Allow min. 18 inch clearance around the tank to properly place and compact backfill around the lower half of the tank.
- Provide well-compacted or undisturbed bedding of sand/gravel mixture or clean, granular soil: 6" minimum in rock terrain. Shape bedding to suit underside of tank.

PLACING THE TANK:

- Check before placing tank:
 - Serial number (for Warranty Form).
 - Orientation of inlet and outlet.
 - Shipping damage.
- Use a pipe level or laser across access cover to level inlet and outlet. It is important that the outlet is below level of inlet.

CAUTION: Handle with care. A severe impact could crack the tank, especially in cold weather.

AVOIDING FLOTATION OR DISTORTION:

- All tanks risk floating or distortion at the base if pumped out during periodic high water table. Keep tank filled or partially filled during extreme wet conditions. **Fill after installation.** Use antiflotation device (see separate detail) in high risk locations.
- For testing water table level, install vertical length of 4" perforated drainage pipe beside tank with removable cap at grade level (see above). Affix label provided to standpipe.

★ DO NOT PUMP TANK OUT BELOW WATER TABLE LEVEL.

If on sloped ground, run horizontal drainage line from around bottom of tank out to ground surface, downhill from tank.

BACKFILLING:

- Tank must be backfilled when either empty or no more than 30% full.

No water is required for the backfilling process. If filled for leak testing, drain tank to 30% or less prior to backfilling.

★ **ACCESS LIDS MUST BE KEPT SCREWED IN PLACE TO AVOID POSSIBLE MANWAY DISTORTION OR FAILURE. LIDS NOT SCREWED ON WILL VOID WARRANTY.**

- Backfill with 12" maximum layers of granular soil or clean fill and trample evenly. **Important: Ensure backfill is properly placed and compacted around the lower half of the tank. Do not dump large volumes of fill close to tank.**
- Check levelling of tank periodically during backfilling.
- Be sure to compact backfill under the inlet and outlet pipes where pipes cross excavated area.
- If tank is warm from sunlight, allow to cool before completing backfilling.
- Fill tank immediately after backfilling.
- Use waterproof tape to seal lids.

PIPE CONNECTIONS:

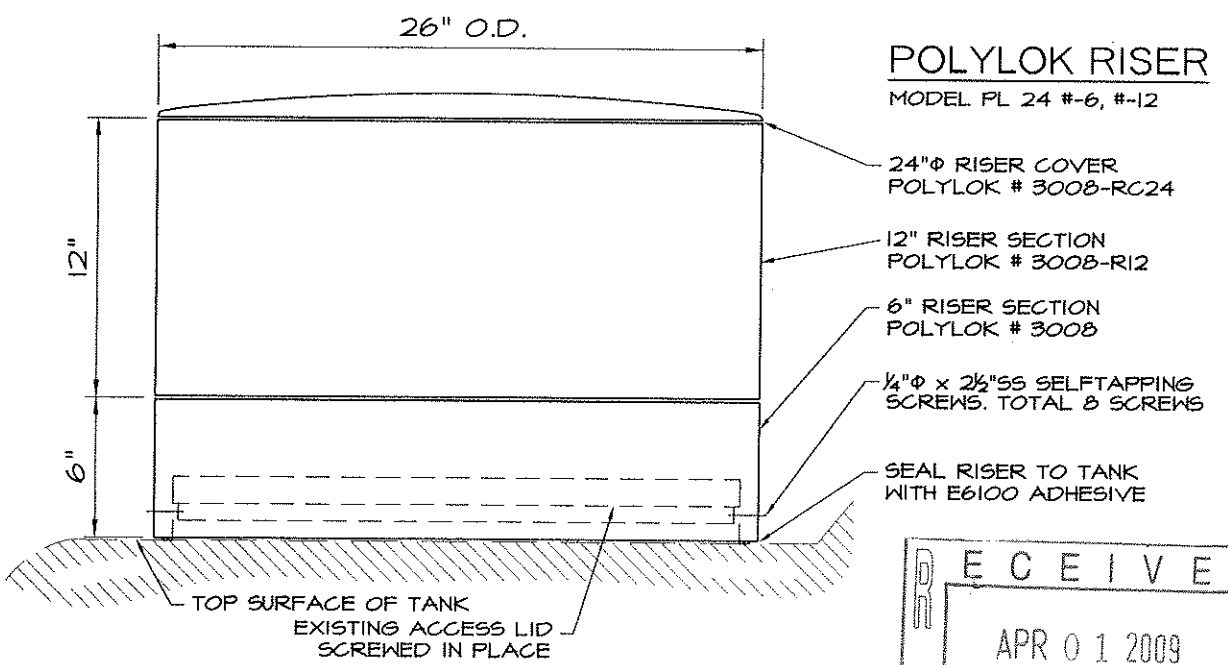
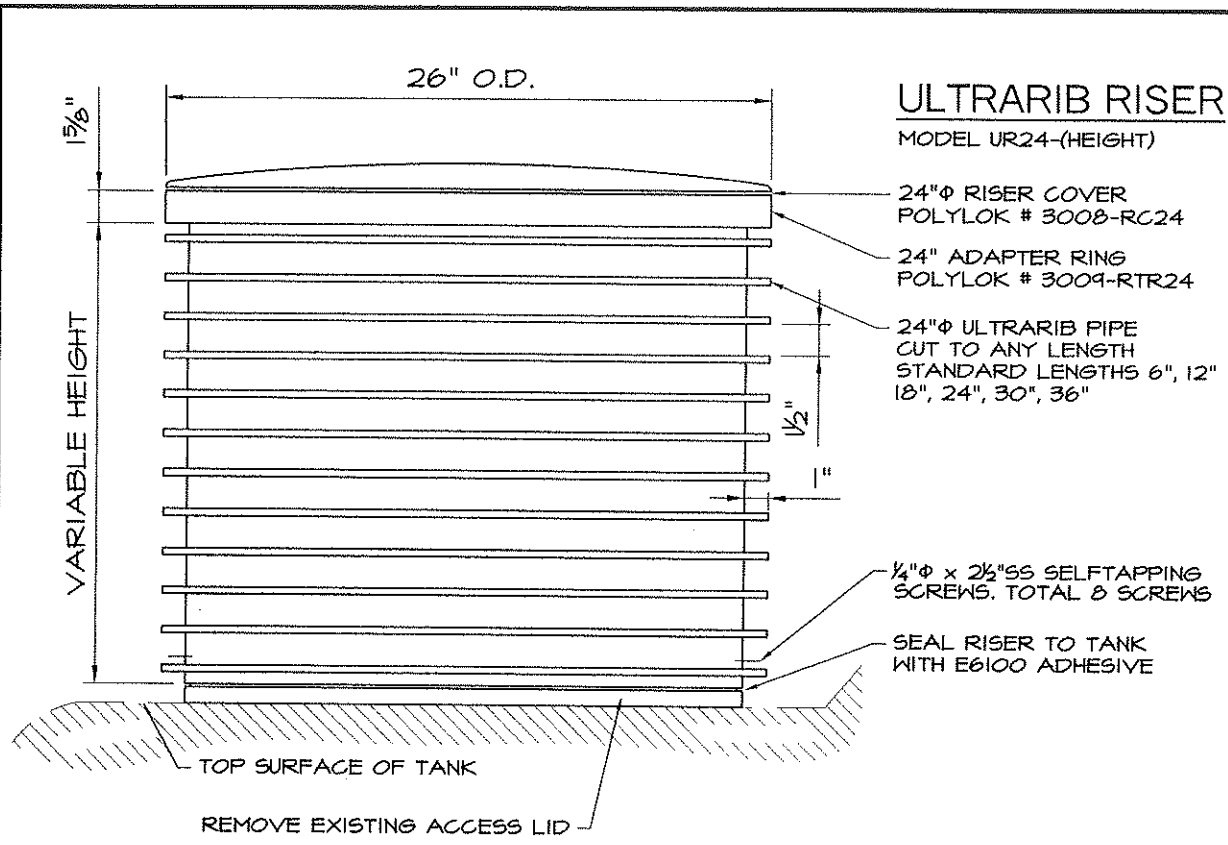
- Make septic connections to pre-plumbed tank only when tank is unlikely to shift during remaining backfilling. Use FERNCO coupler provided.

RISERS:

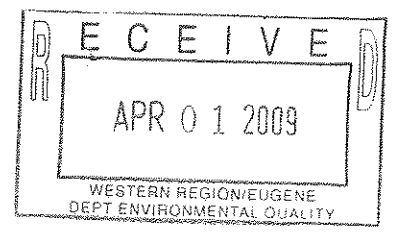
- Refer to separate drawings for Ultrarib, Polylok and molded polyethylene riser options.
- Risers to be installed to OAR 340-073-0025(6).

WATER TIGHTNESS TEST:

Oregon Site Watertightness Test:
 Perform after backfilling to within 6" of the tank top. Per OAR 340-073-0025(3): After installation, all tanks must be watertight. The installer must test each tank for watertightness by filling the tank up to a point at least two (2) inches above the point of riser connection to the top of the tank. During the test there can be no more than one gallon of leakage over a 24 hour period. The tank manufacturer must deliver watertight tanks and should test each tank for watertightness before the tank is shipped from the manufacturing plant.



ACCESSORIES: 24" POLYLOK SAFETY SCREEN # 3008-SS



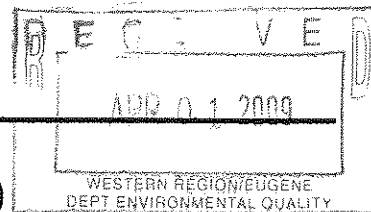
P **PREMIER**
PLASTICS INC.
MANUFACTURERS OF ROTATIONALLY MOULDED PRODUCTS

8328 River Way
Delta, BC, Canada
V4G 1C4
www.premierplastics.com

Toll Free: 1-800-661-4473
Bus: (604) 952-6686
Fax: (604) 952-6696
E-mail: premier@ultranet.ca

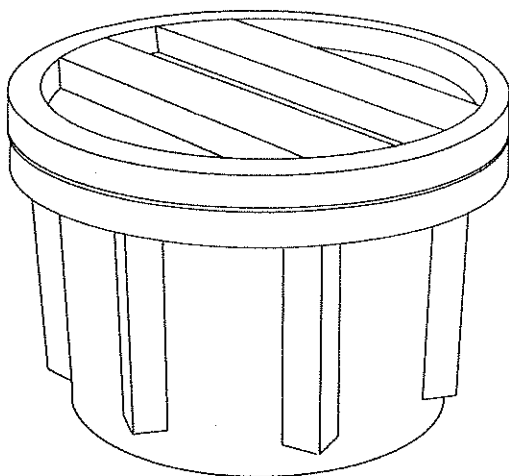
TANK RISER OPTIONS
ALL SUPERTANK MODELS
SEPTIC AND WATER CISTERN

DATE:	JULY' 06
SCALE:	NTS
DRAWN:	AD&D
DWG. No.	1007
REV.	



POLYETHYLENE RISER AND LID

- FOR ACCESS TO UNDERGROUND TANKS

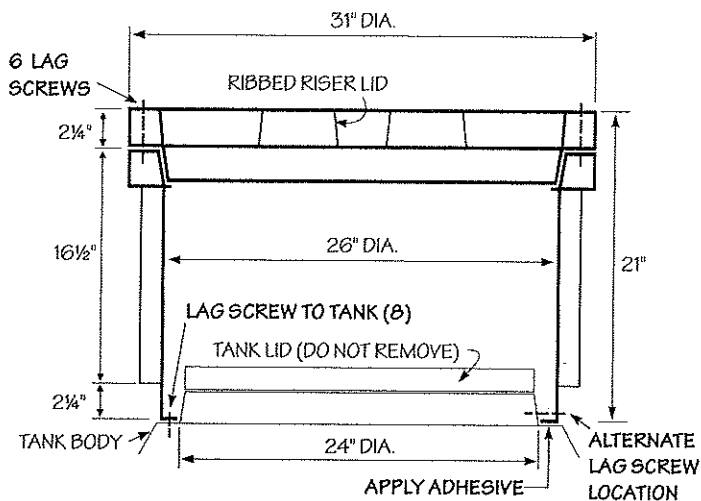


*E6100 Adhesive

RISER SPECIFICATIONS:

- ★ Model no. 21/31 – 21" high x 31" O.D.
- ★ Separate lid allows tank lid to remain in place
- ★ Fits over tank lids 24" dia. and less
- ★ Easy to install – weighs only 35 lbs.
- ★ Can be left exposed or covered with fill
- ★ Will not crack or corrode
- ★ Can be stacked for greater depths. Add 16½" per additional section.

INSTALLATION INSTRUCTIONS



1. Trim base (if necessary) to fit over lid on tank. (Check tank lid can be completely removed through riser opening.)
2. Secure tank lid in place (for safety/security).
3. Thoroughly clean and wipe dry bonding surfaces with acetone, MEK or alcohol. Apply a thick bead of *E6100 Adhesive (by Eclectic Products Inc.)
4. Set riser in place leaving approximately 1/8" gap for the adhesive.
5. Lag screw base of riser to top of tank body (to resist displacement from ground settlement). Screw riser lid in place. Use 8 screws as shown. Add more adhesive to outside of joint.
6. Trample granular backfill evenly around riser.

NOTE: Use rubber grommet or piece of rubber hose for passage of wiring or piping thru riser wall. (Polyethylene can be cut with woodcutting tools.)

* This is the best adhesive for polyethylene that we know of, however we cannot guarantee the integrity of any joint.

Look for the PREMIER label of quality. PREMIER PLASTICS ... 'Good Solid Tanks'



PREMIER PLASTICS INC.

8328 River Way, Delta, BC, Canada V4G 1C4
 Bus: (604) 952-6686 Fax: (604) 952-6696
 Toll Free: 1-800-661-4473
 E-mail: premier@ultranet.ca
 www.premierplastics.com

Represented by:

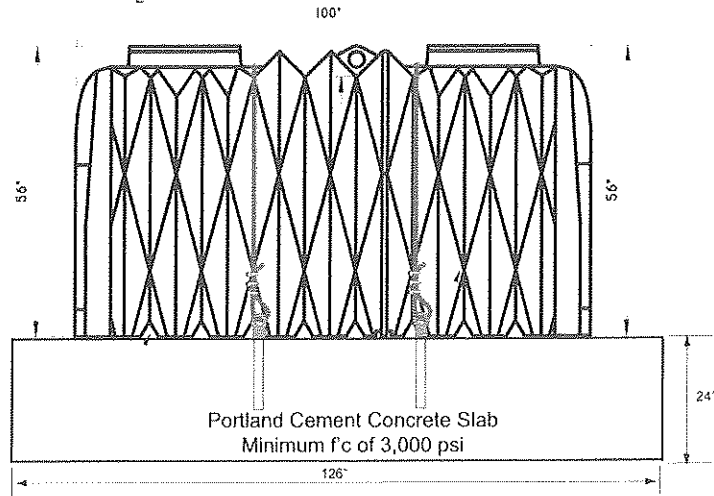
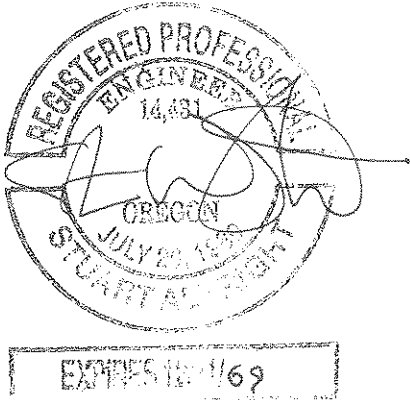
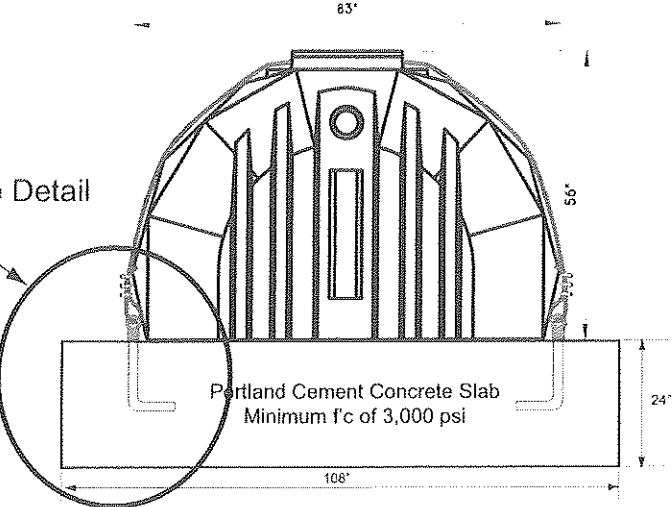
RECEIVED

APR 01 2009

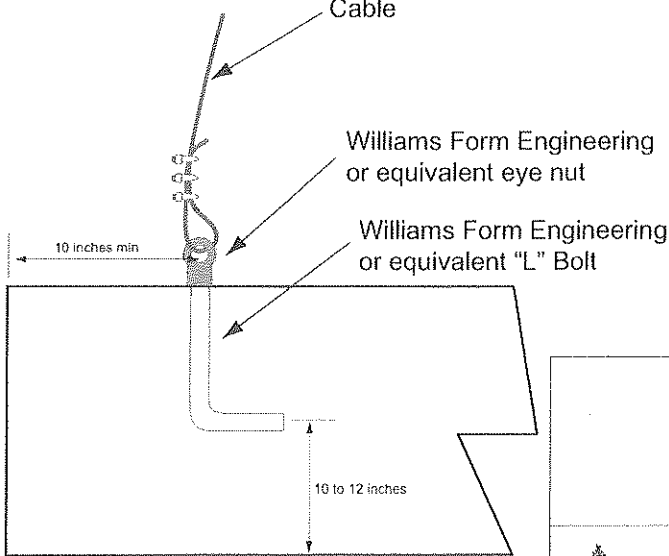
WESTERN REGION/EUGENE
DEPT ENVIRONMENTAL QUALITY

UNDERGROUND TANK INSTALLATION ANTI BUOYANCY PROTECTION

See Anchorage Detail



Anchorage Detail

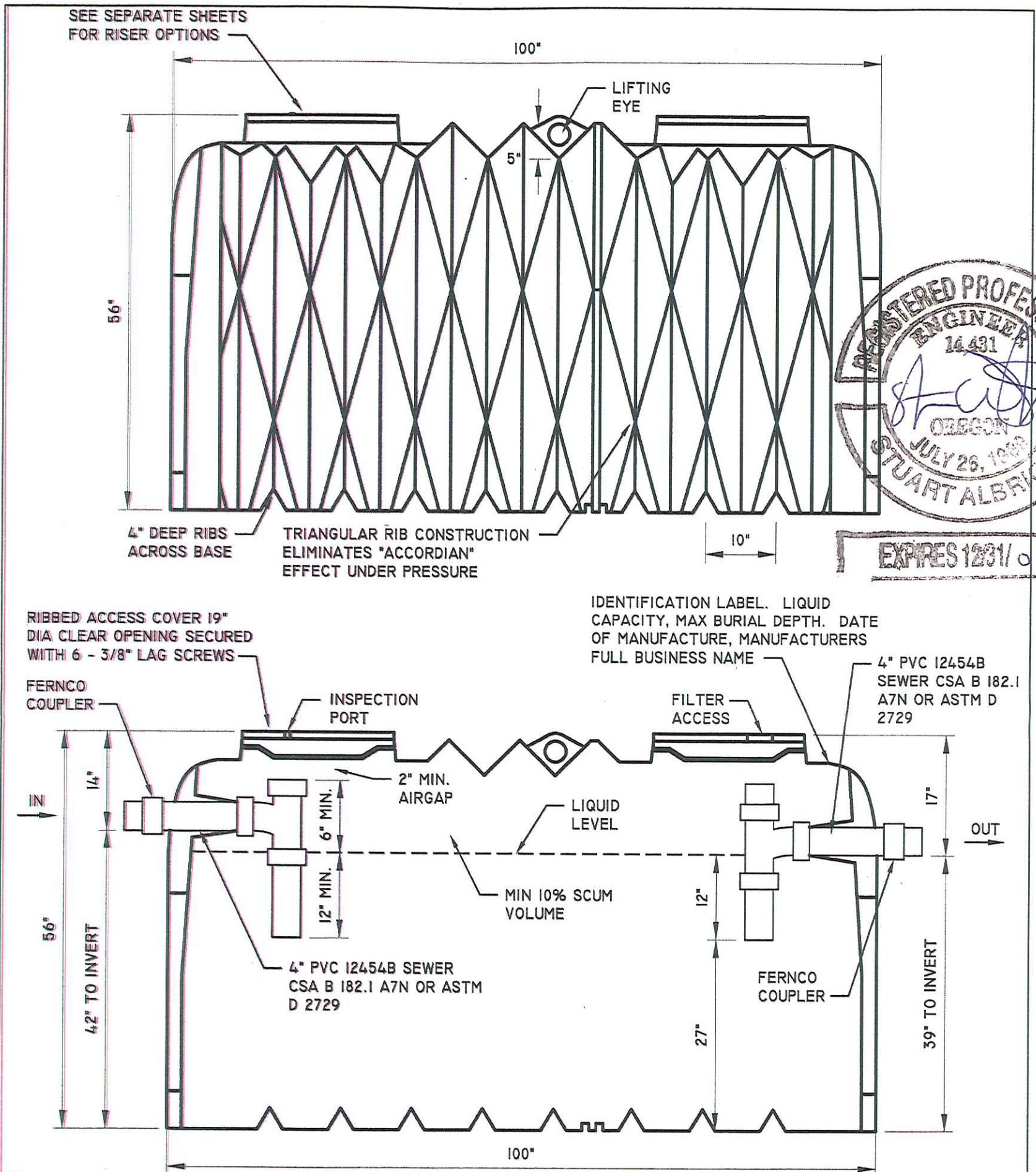


- Notes:
1. All Hardware to be galvanized or stainless steel.
 2. Hardware to be rated for a minimum working load per anchor of 4,500 pounds.
 3. Refer to Premier Underground Tank Installation guide for Oregon DEQ.

Anti-Buoyancy Detail

Premier 1000 Gallon "Supertank"
Model STS1000SEH

Ash Creek Associates, Inc. <small>Environmental and Geotechnical Consultants</small>	Project Number	1535-00	Figure
	August 2008		1



EXPRES 1231/09

- NOTES:
1. A WATER TIGHTNESS TEST IS REQUIRED TO OAR 340-0730025(3)
 2. ALL TANKS CERTIFIED LEAKPROOF FROM THE FACTORY

<p>PREMIER PLASTICS INC. MANUFACTURERS OF ROTATIONALLY MOULDED PRODUCTS</p> <p>8328 River Way Delta, BC, Canada V4G 1C4 www.premierplastics.com</p> <p>Toll Free: 1-800-661-4473 Bus: (604) 952-6686 Fax: (604) 952-6696 E-mail: premier@ultranet.ca</p>	<p>SEPTIC 'SUPERTANK'</p> <p>SINGLE CHAMBER</p> <p>OREGON</p> <p>USA MODEL STSUI000SEH - 1000 US GAL</p>	<p>DATE: FEB 2009</p> <p>SCALE: 1:20</p> <p>DRAWN: SGM</p> <p>SHEET. No. 2 OF 2</p> <p>REV.</p>
---	--	---

PLAN APPROVED

Date 5/20/09 Signed [Signature]