

PROJECT ENGINEER'S APPROVAL:
 I (WE) HEREBY CERTIFY THAT THIS DRAWING HAS BEEN CHECKED AND IS APPROVED FOR USE IN CONFORMITY WITH THE CONTRACT DOCUMENTS.

DATE: _____
 NAME: _____

CONTRACTOR'S CERTIFICATION:
 I (WE) HEREBY CERTIFY THAT THIS DRAWING HAS BEEN CHECKED AND IS APPROVED FOR USE IN CONFORMITY WITH THE CONTRACT DOCUMENTS.

DATE: _____
 NAME: _____

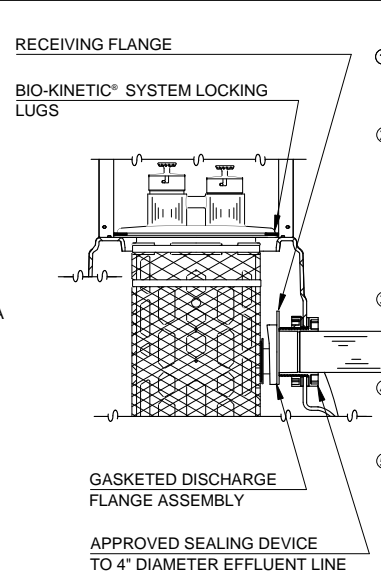
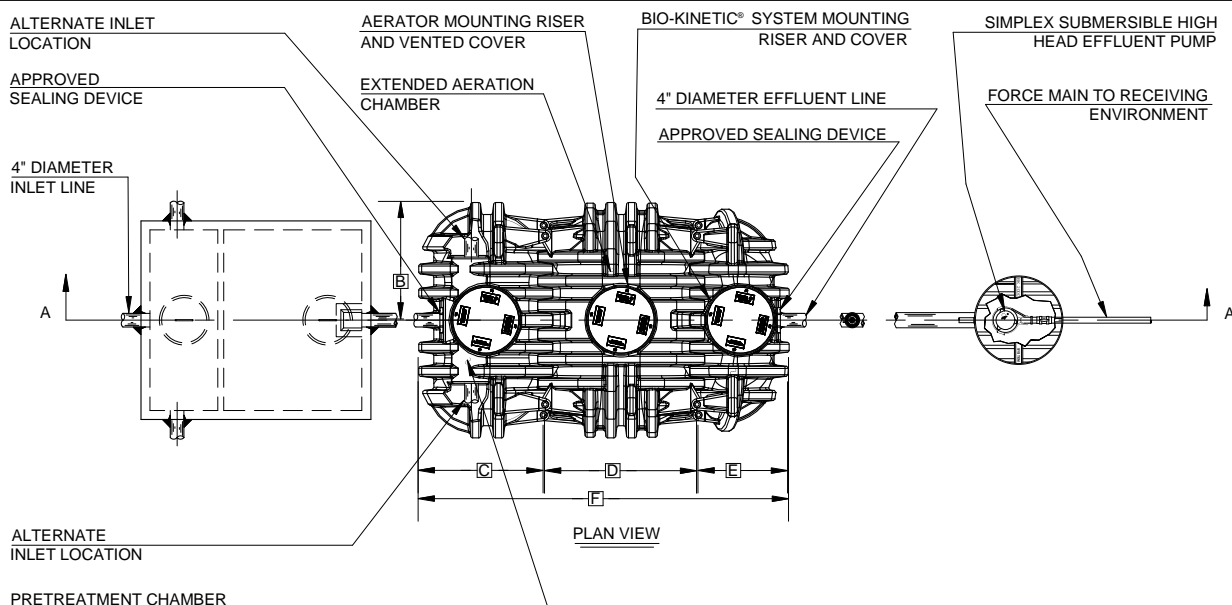
CRITICAL DIMENSIONS

A	N	0'-0 3/8"
B	O	0'-6"
C	P	0'-0 3/8"
D	Q	1'-2 1/2"
E	R	4'-3 1/2"
F	S	5'-6"
G	T	1'-11"
H	U	6'-6"
I	V	
J	W	
K	X	
L	Y	
M	Z	

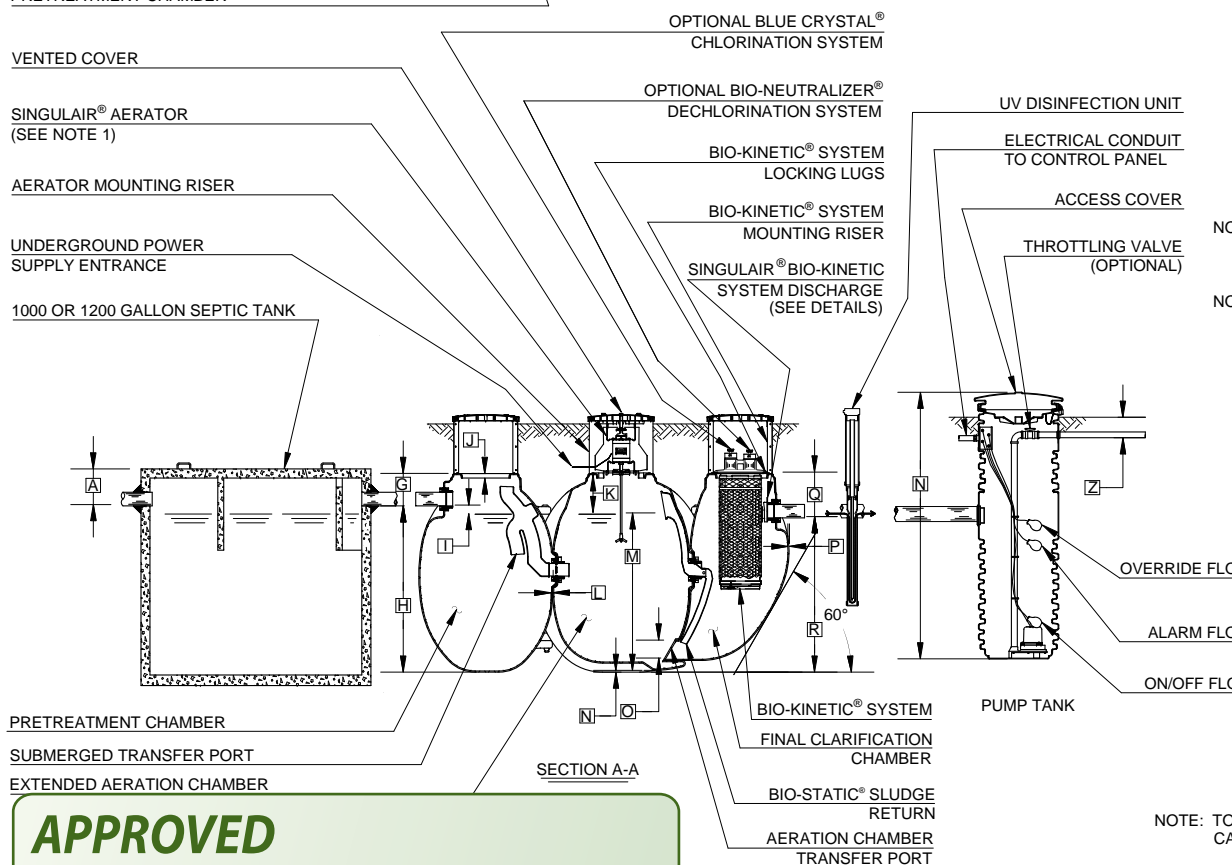
U.S. AND FOREIGN PATENTS PENDING	norweco	REVISION DATE	REVISION
		DRAWN BY	MT
		APPROVED BY	JMM
		DATE	08-28-2015
© MMXV	THIS DRAWING IS THE PROPERTY OF NORWECO. IT IS TO BE USED ONLY FOR THE PROJECT AND SITE SPECIFICALLY IDENTIFIED ON THIS DRAWING. NO PART OF THIS DRAWING IS TO BE REPRODUCED OR TRANSMITTED IN ANY FORM OR BY ANY MEANS WITHOUT THE WRITTEN PERMISSION FROM NORWECO.	SCALE	NTS
		DRAWING NO.	PC-5-7150

APPROVED
 By Randy Trox at 9:05 am, Apr 06, 2016

NOTE: TOTAL SYSTEM CAPACITY: 2,300 GALLONS RATED CAPACITY: 500/600 GALLONS PER DAY



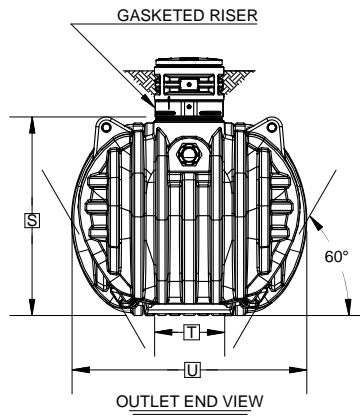
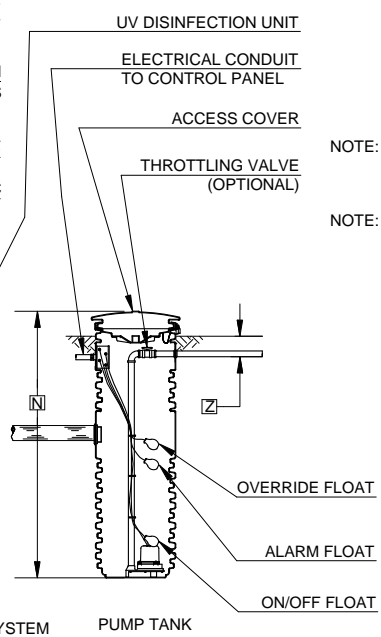
- GENERAL NOTES:**
- ① SINGULAIR® AERATOR, AS TESTED AND ACCEPTED BY NSF, OPERATING 60 MINUTES ON / 60 MINUTES OFF
 - ② ON DEEPER INSTALLATIONS, PRECAST RISERS MUST BE USED TO EXTEND AERATOR MOUNTING CASTING AND BIO-KINETIC® SYSTEM MOUNTING CASTING TO GRADE. INSPECTION COVER ON PRE-TREATMENT CHAMBER MUST BE DEVELOPED TO WITHIN TWELVE INCHES OF GRADE.
 - ③ REMOVABLE COVERS ON RISERS WEIGH IN EXCESS OF SEVENTY-FIVE POUNDS EACH TO PREVENT UNAUTHORIZED ACCESS.
 - ④ CONTACT THE LOCAL, LICENSED SINGULAIR® DISTRIBUTOR FOR ELECTRICAL REQUIREMENTS.
 - ⑤ CHECK LOCAL REGULATIONS GOVERNING DETAILS OF EFFLUENT REUSE FOR SPRAY IRRIGATION SUCH AS EFFLUENT QUALITY, SURFACE AREA, PIPING ARRANGEMENT, SPRAY HEAD ANGLE, OPERATING TIMES, ETC.



BIO-KINETIC® SYSTEM DISCHARGE DETAIL

NOTE: CRITICAL DIMENSIONS ARE INTENTIONALLY LEFT BLANK TO BE FILLED IN PER INDIVIDUAL JOB SITE SPECIFICATIONS.

NOTE: TYPICAL PUMP TANK SHOWN. ACTUAL CONFIGURATION MAY VARY.



PROJECT ENGINEER'S APPROVAL:
I (WE) HEREBY CERTIFY THAT THIS DRAWING HAS BEEN CHECKED AND IS APPROVED FOR USE IN CONFORMITY WITH THE CONTRACT DOCUMENTS.

DATE: _____
NAME: _____

CONTRACTOR'S CERTIFICATION:
I (WE) HEREBY CERTIFY THAT THIS DRAWING HAS BEEN CHECKED AND IS APPROVED FOR USE IN CONFORMITY WITH THE CONTRACT DOCUMENTS.

DATE: _____
NAME: _____

CRITICAL DIMENSIONS	
A	N 0'-0 3/8"
B 3'-3"	O 0'-6"
C 3'-5 1/4"	P 0'-0 3/8"
D 4'-1 3/4"	Q 1'-2 1/2"
E 2'-5 3/4"	R 4'-3 1/2"
F 10'-3"	S 5'-6"
G 0'-10 1/2"	T 1'-11"
H 4'-7 1/2"	U 6'-6"
I 0'-3"	V
J 0'-1 1/2"	W
K 1'-0"	X 6'-7 1/4"
L 0'-0 3/4"	Y
M 4'-4"	Z

U.S. AND FOREIGN PATENTS PENDING	norweco	REVISION DATE	REVISION
	SINGULAIR® GREEN TNT - 500 WASTEWATER TREATMENT SYSTEM WITH UV DISINFECTION SYSTEM, PLASTIC PUMP TANK AND SEPTIC TANK	DRAWN BY	MT
		APPROVED BY	JMM
		DATE	08-28-2015
		SCALE	NTS
		DRAWING NO.	PC-5-1752

APPROVED
By Randy Trox at 9:05 am, Apr 06, 2016

NOTE: TOTAL SYSTEM CAPACITY: 2,300 GALLONS RATED CAPACITY: 500/600 GALLONS PER DAY