



Oregon

John A. Kitzhaber, M.D., Governor

Department of Environmental Quality

811 SW Sixth Avenue
Portland, OR 97204-1390
(503) 229-5696
TTY (503) 229-6993

August 20, 2002

Rick C. Steele
Steele's Septic Tank Service
57992 Foothill Road
La Grande, Oregon 97850

Re: Distribution and Drop Box Approval

Dear Mr. Steele:

The Oregon Department of Environmental Quality (Department) has reviewed the plans, specifications and other associated materials you provided for the distribution and drop boxes manufactured by your company. Based on the final plans submitted on August 15, 2002, by engineer Les Tipton of the Blue Eagle Engineering Company, I am pleased to advise you that the following products have been found to comply with the Department's standards:

- a) Concrete distribution box with 3-hole outlets
- b) Concrete distribution box with 5-hole outlets
- c) Concrete drop box

Steele's Septic Tank Service is authorized to manufacture and distribute these products for use in on-site sewage treatment systems in Oregon until further notice provided the following conditions are met:

1. The concrete mix shall be in accordance with the mix description on the plans prepared by Blue Eagle Engineering. The minimum concrete strength of 3,000 psi specified by Mr. Tipton shall actually be achieved.
2. The inverts of the inlet and overflow port of the drop box shall be at the same elevation. Furthermore, as shown on the latest plan submitted and in conformance with Oregon Administrative Rule 340-073-0040(3), the invert of the header pipe port(s) leading to the disposal trench (es) shall be 6 inches below the inlet invert.

Distribution and drop box standards require each box to be identified with either your full business name or the assigned number 131.

The approved plans and specifications are enclosed. Please feel free to contact Mr. Ed Woods if you have questions about this letter. His phone number is (503) 229-5415.

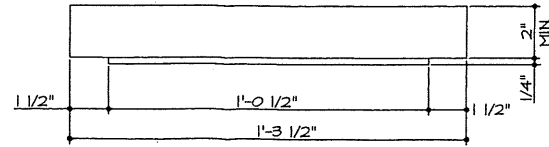
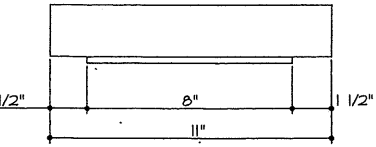
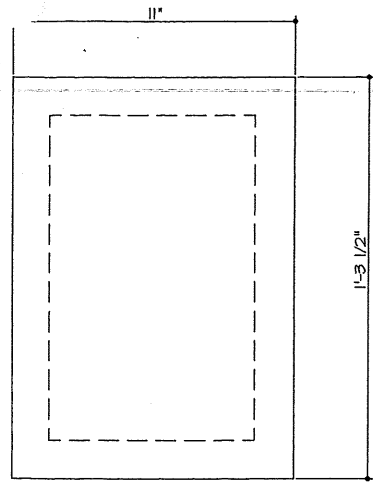
Sincerely,

Michael T. Llewelyn, Administrator
Water Quality Division

ML: bnp

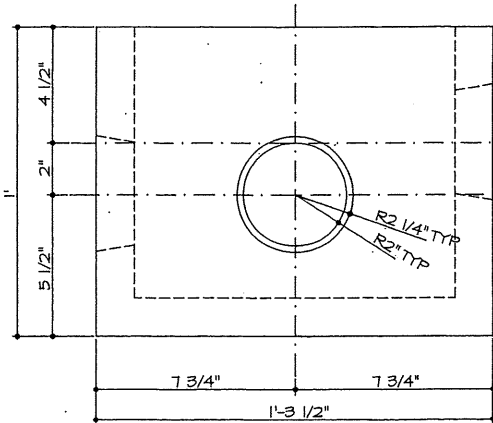
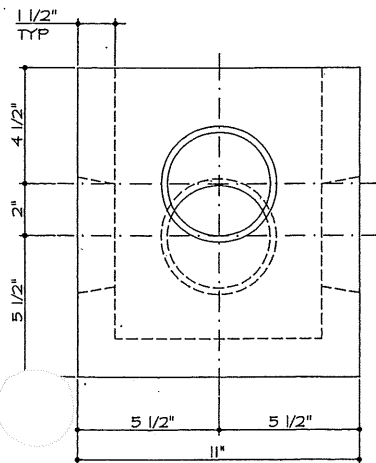
cc: DEQ and Contract County offices, Eastern region
Dick Nichols, ER; Andy Schaedel, NWR; Greg Farrell, WR

GENERAL NOTES
 USE 3000 psi CONCRETE AT 28-DAY COMPRESSIVE STRENGTH

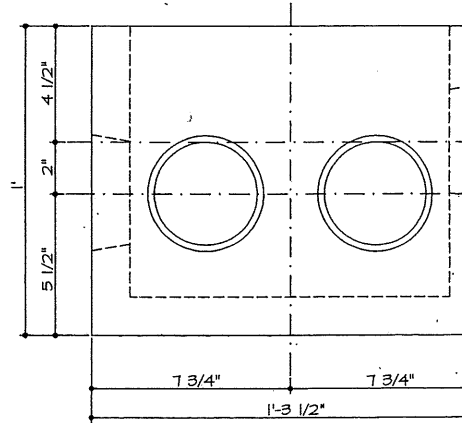


DISTRIBUTION BOX LID

SCALE: 3"=1'

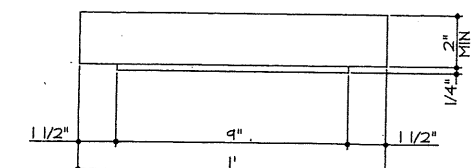
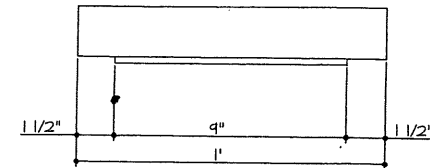
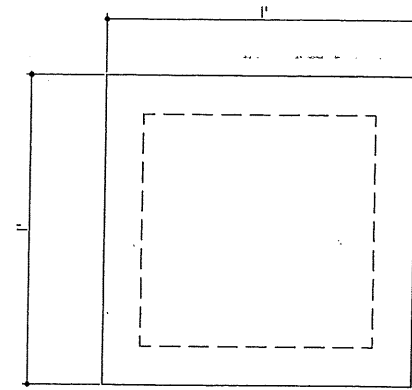


THREE HOLE



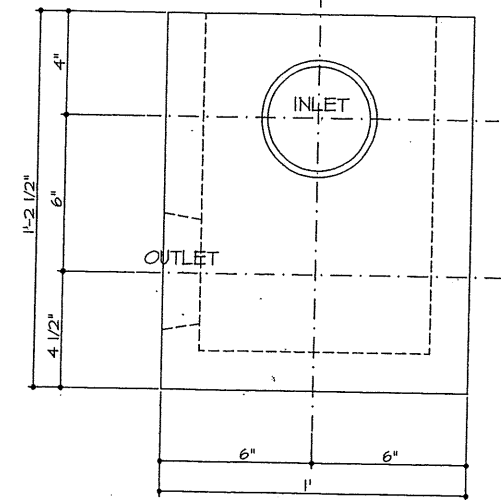
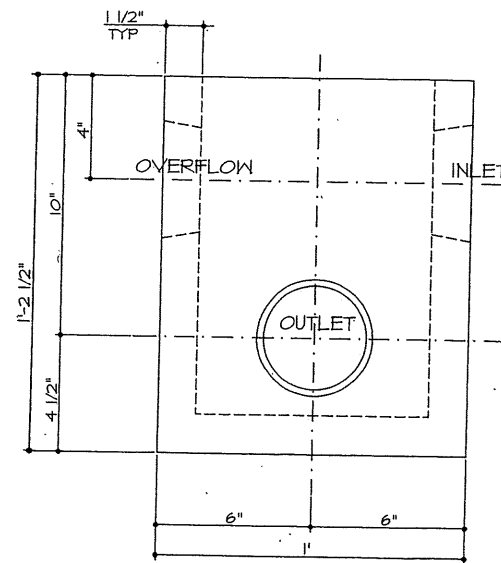
FIVE HOLE

DIST BOX W/ 3 AND 5 HOLE OUTLETS



DROP BOX LID

SCALE: 3"=1'



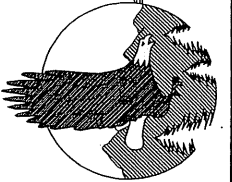
DROP BOX

SCALE: 3"=1'

PLAN APPROVED

Date 8/20/02 Signed MML
 Stamped by B. Wilke 10/11/12

RECEIVED
 AUG 1 3 2002
 Water Quality
 Dept. of Environment



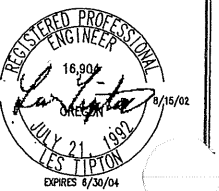
BLUE EAGLE ENGINEERING
 PROFESSIONAL ENGINEERING & ENVIR
 69631 SUMMERY D • SUMMERVILLE
 Phone/Fax: 541. 541. email: beec@

DRAWN FOR: STEELE'S SEPTIC TANK SERVICE
 57992 FOOTHILL ROAD
 LA GRANDE, OREGON 97850
 541.963.6390

SHEET CONTENTS
 BOX PLANS
 RECEIVED
 AUG 19 2002
 Water Quality Division

SEPTIC TANK BOXES
 DISTRIBUTION BOXES
 DROP BOXES

STEEL'S SEPTIC TANK SERVICE
 LA GRANDE, OR 97850



SHEET

1