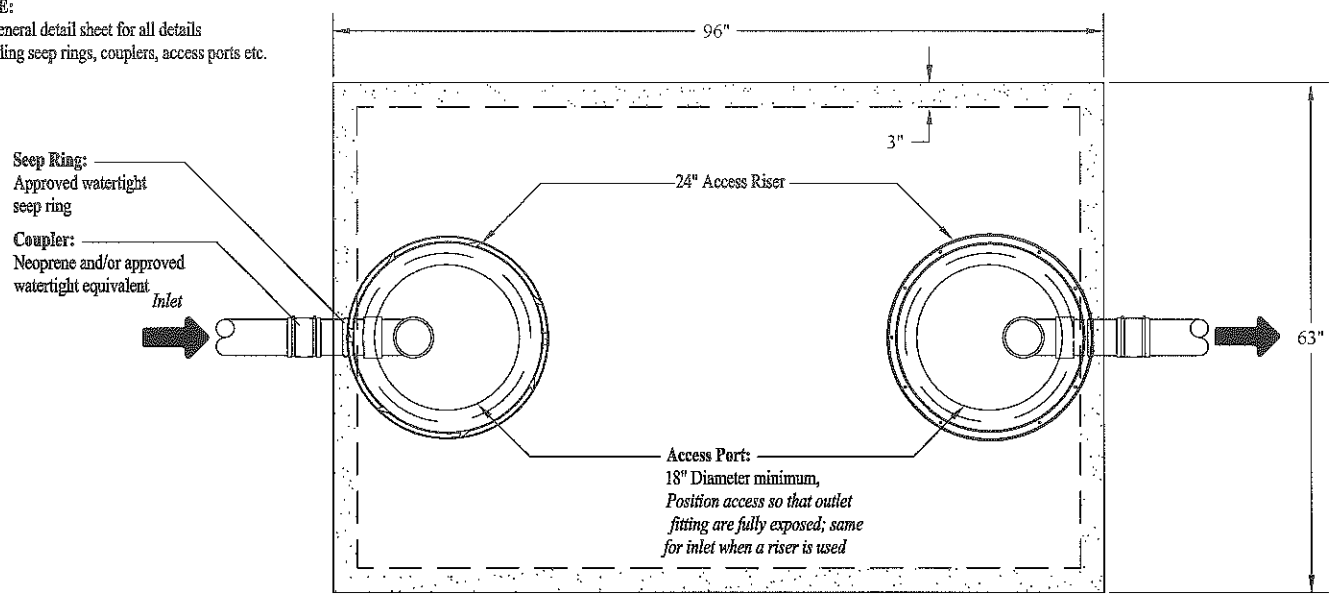
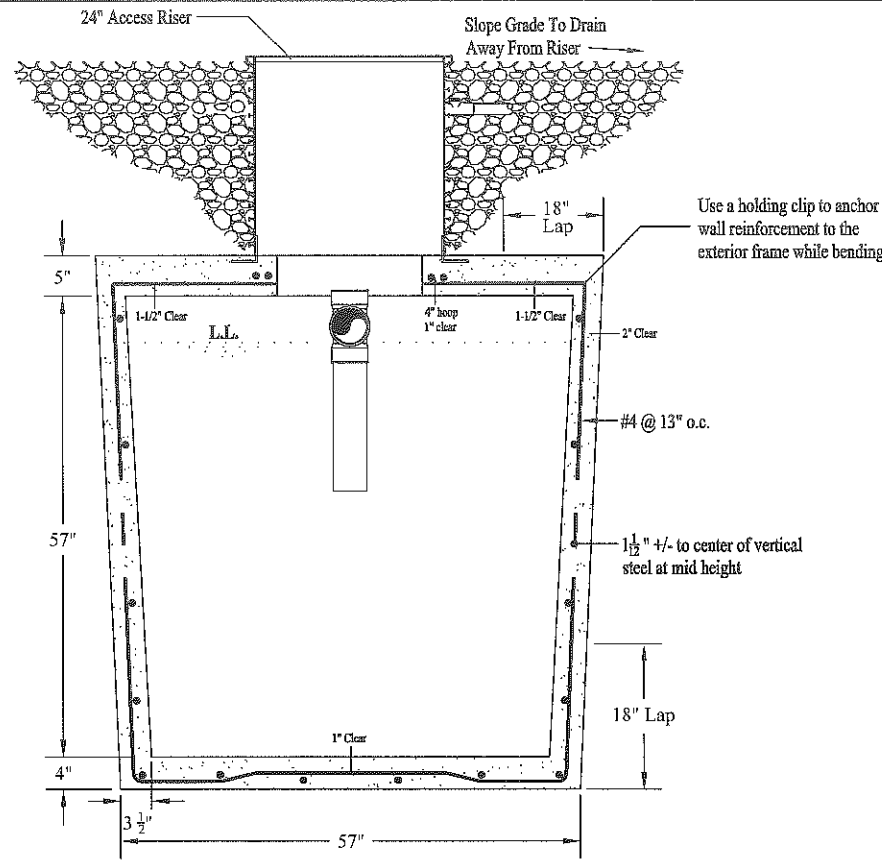


APPROVED
By Randy Trox at 11:56 am, Sep 22, 2015

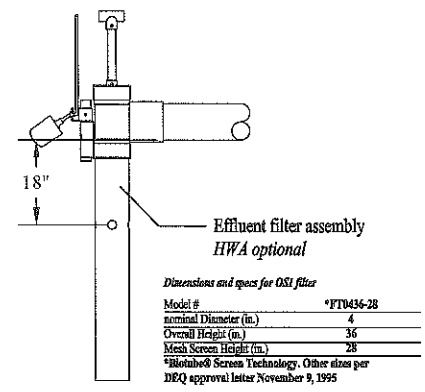
NOTE:
See general detail sheet for all details regarding seep rings, couplers, access ports etc.



Top View

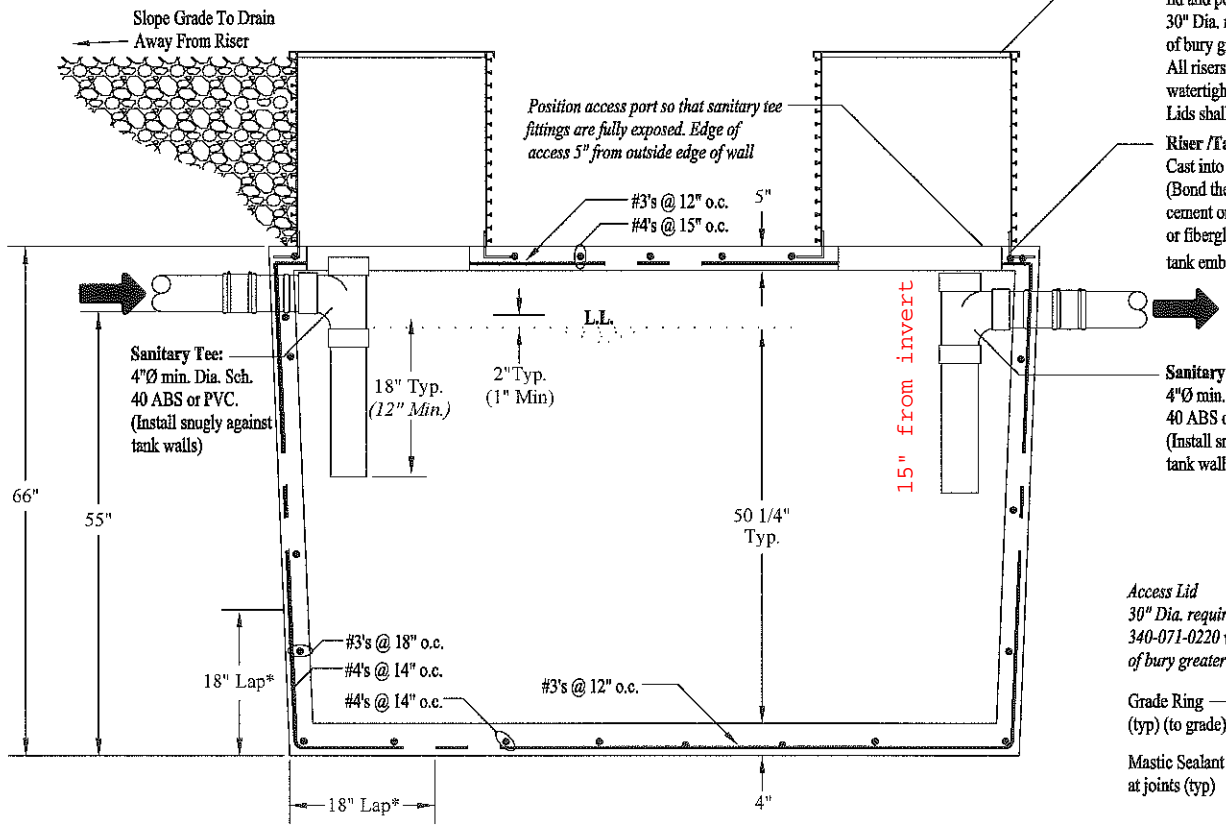


End View



Optional Effluent Filter Detail

N.T.S.



Side View 1000 Gallon Tank

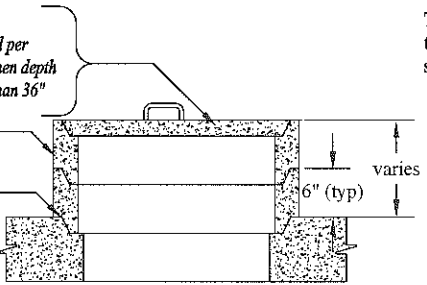
Riser & Lid (typ.):
24" Dia. ribbed PVC riser w/latching lid and polyurethane gasket. 340-071-0220(3)(b)(C)
30" Dia. required per 340-71-200 when depth of bury greater than 35" <---deeper than 36"--->
All risers shall be attached in a permanent and watertight manner.
Lids shall be kept securely fastened at all times.

Riser / Tank Adapter (typ.):
Cast into concrete top for adapting to riser. (Bond the riser and adapter together w/PVC cement or 2-part epoxy. Spread around PVC or fiberglass riser adapter. If riser cast in to tank embed 1 1/2" +/-)

Sanitary Tee:
4" min. Dia. Sch. 40 ABS or PVC. (Install snugly against tank walls)

Access Lid
30" Dia. required per 340-071-0220 when depth of bury greater than 36"

Grade Ring (typ) (to grade)
Mastic Sealant at joints (typ)



Concrete Riser Option

General Notes:

Tank Volumes: Total Volume: 1,155 gal±
Operating Volume: 1,000 gal±
Unit Volume at 49" depth: 21 gal/in±

Loads: Top = 400 psf
Lateral Load = 62.4 pcf
Concentrated Wheel Load = 2,500 lb.
The septic tank shall be capable of withstanding long-term hydrostatic loading, in addition to the soil loading, due to a water table maintained at ground surface. Soil Bearing = 1,500 psf (re-evaluate support base if soil bearing is less or unequal)

Concrete: The walls and bottom slab shall be poured monolithically. Reinforcing steel shall be ASTM A-615 Grade 60, fy = 60,000 psi.

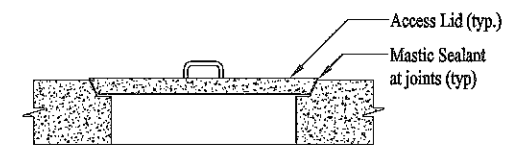
The concrete shall achieve a minimum compressive strength of 4,000 psi in 28 days; fc' = 4,000 psi. Concrete shall be ready mix with cement conforming to ASTM C-150, Type II. There shall be a content of not less than six and one half (6 1/2) sacks per cubic yards and maximum aggregate size of 3/4 inch. Water/Cement ratio shall be kept below 0.4, (W:C 0.35±). Air-entraining agents and fibrous reinforcement will enhance workability, curing and watertightness of the tank; however, their usage is optional.

Tanks shall not be moved from the manufacturing site to the job site until the tank has cured for seven (7) days, or has reached two-thirds of the design strength. Proper curing techniques must be used to ensure watertight tanks.

Installation: Installation, bedding, compaction, etc., shall be in strict compliance with the manufacturers standards and state of Oregon's on-site rules 340-071 and 073. All tanks shall be set level on a minimum 3 inch thick compacted 3/4 minus, pea gravel or approved granular bedding overlying a firm uniform base. The base shall be stable and uniform in order to ensure equal bearing across the tank bottom. Installations with 24 inches or less of ground cover may require additional buoyancy considerations as described in the installation manual.

Test: Tanks shall be tested and certified watertight per Oregon On-Site Rules 340-071 and 073.

Tank Markings: Place marking on the upper most surface over the outlet.
Liquid capacity: 1,000 gal.
Max burial depth: 4.0 ft.
Max traffic (wheel): 2,500 lbs.
Date manufactured:
Permit no.:



Concrete Plug Option

Only Over Inlet When Requested

UNAUTHORIZED CHANGES & USE

The engineer preparing these plans will not be responsible or liable for unauthorized changes to or uses of these plans. All changes to these plans must be in writing and must be approved by the preparer of these plans.

ONE-CALL UTILITY NOTIFICATION CENTER

Prior to construction the contractor shall call underground service alert for underground clearance. One-Call will provide information about, or locate, and mark underground facilities.

MAP Engineering Inc.
950 SE Oak St.
Roseburg, OR 97470
tristianb@mapengineeringinc.com

Drawn By: dsm
Date Approved: --/--/--
Approved By: -----

Project: 1000 gal. TJK Septic Tank
Title: Tank Details

Scale: 1/2" = 1' 0"
Sheet: 01 of 01
Rev: 1.0 Date: 09/21/15

