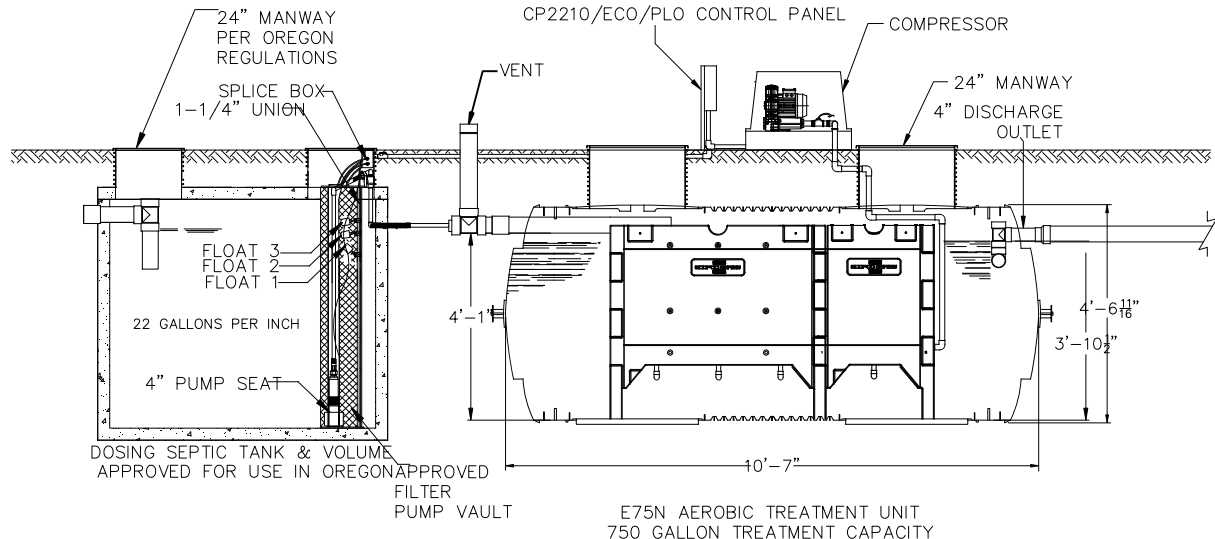
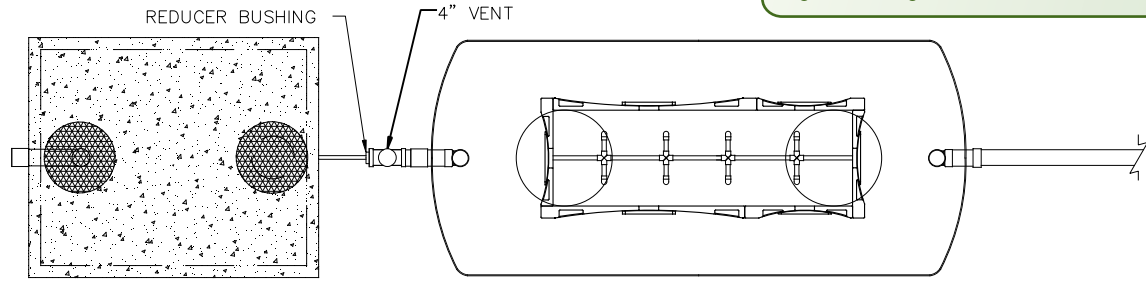


**APPROVED**  
 By Randy Trox at 10:34 am, Sep 16, 2016

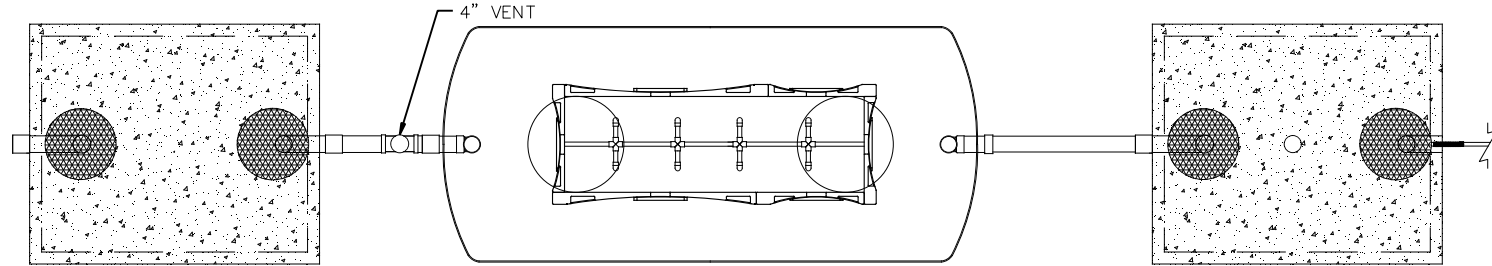


\*NOTE: THE VOLUME OF THE SEPTIC TANK WILL BE AS REQUIRED ON OAR 340-071-220 (3)  
 \*NOTE: ALL EXTERIOR PIPE SIZE AS PER OREGON REQUIREMENTS

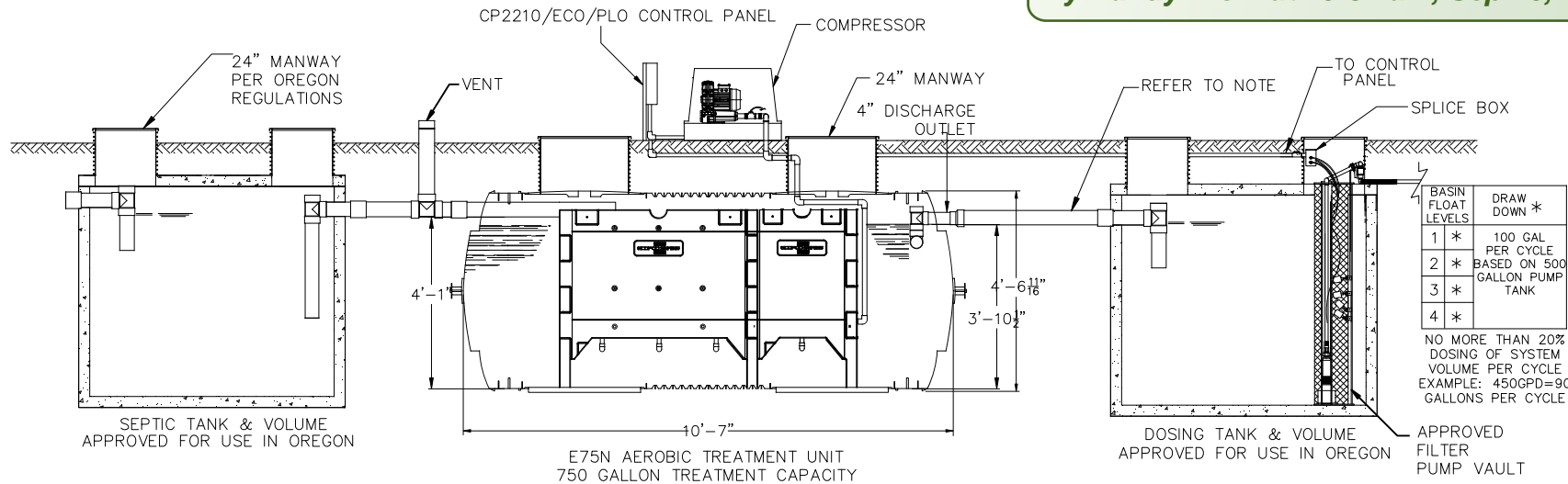
CONFIGURATION 2

25

REV.		DATE	REVISION DESCRIPTION	BY		<b>DELTA ECOPOD 750 GPD UNIT          W/ OREGON APPROVED DOSING SEPTIC TANK</b>					
COMPANY CONFIDENTIAL: INFORMATION CONTAINED HEREIN IS CONFIDENTIAL, IT IS THE PROPERTY OF PENTAIR PUMP GROUP, IT IS TO BE USED SOLELY FOR THE PURPOSE PROVIDED, AND IT IS NOT TO BE DISCLOSED TO OTHERS WITHOUT THE PRIOR WRITTEN CONSENT OF PENTAIR PUMP GROUP.		PLOT SCALE		DRAWING NUMBER		DRAWN BY	DATE	SHEET OF		REV	
		NTS		DEP248A E75N	L. CUTRER	7/28/16	1 OF 1		B		



**APPROVED**  
 By Randy Trox at 10:34 am, Sep 16, 2016



BASIN FLOAT LEVELS	DRAW DOWN *
1 *	100 GAL PER CYCLE
2 *	BASED ON 500 GALLON PUMP TANK
3 *	
4 *	

NO MORE THAN 20% DOSING OF SYSTEM VOLUME PER CYCLE  
 EXAMPLE: 450GPD=90 GALLONS PER CYCLE

\*NOTE: ALL EXTERIOR PIPE SIZE AS PER OREGON REQUIREMENTS  
 \*NOTE: THE VOLUME OF THE DOSING TANK WILL BE AS REQUIRED IN OAR 340-071-220(6)  
 \*NOTE: THE VOLUME OF THE SEPTIC TANK WILL BE AS REQUIRED IN OAR 340-071-220(3)

PUMP CHART			
PUMP	ELEVATION	MAX. DISTANCE	MIN. PIPE SIZE
1/2 HP	30'	500'	min 3"
1 HP	100'	1000'	min 3"

CONFIGURATION 3

		<b>DELTA ECOPOD 750 GPD UNIT          W/ OREGON APPROVED SEPTIC TANK &amp;          DOSING TANK</b>							
REV.	DATE	REVISION DESCRIPTION	BY	PLOT SCALE	DRAWING NUMBER	DRAWN BY	DATE	SHEET OF	REV
				NTS	DEP248A E75N	L. CUTRER	7/28/16	1 OF 1	B
<small>COMPANY CONFIDENTIAL: INFORMATION CONTAINED HEREIN IS CONFIDENTIAL, IT IS THE PROPERTY OF PENTAIR PUMP GROUP, IT IS TO BE USED SOLELY FOR THE PURPOSE PROVIDED, AND IT IS NOT TO BE DISCLOSED TO OTHERS WITHOUT THE PRIOR WRITTEN CONSENT OF PENTAIR PUMP GROUP.</small>									