



Oregon

Kate Brown, Governor

Department of Environmental Quality
Western Region Eugene Office
165 East 7th Avenue, Suite 100
Eugene, OR 97401
(541) 686-7838
FAX (541) 686-7551
TTY 711

April 6, 2016

Anastasia O'Hara
Norwesco/Snyder Industries
PO Box 439
St. Bonifacius, MN 55375-0439

RE: Product approval amendments for:

- 1,000 gallon Norwesco/Snyder low profile septic tank
- 1,250 gallon Norwesco/Snyder low profile septic tank
- 1,500 gallon Norwesco/Snyder low profile septic tank

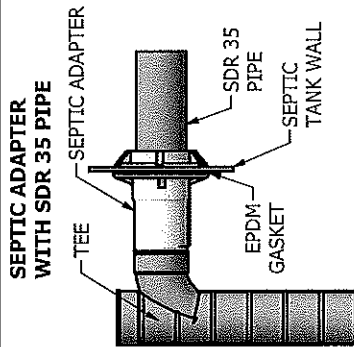
Ms. O'Hara,

We have reviewed your recent request to amend the January 6, 2012 product approvals to the septic tanks listed above. The change is an alternative option for the 'gasket and tee' with the addition of a septic adapter. You provided a schematic of these options that are attached. The proposed amendment will be included to the existing product approval. This is the only change that has been proposed or approved to the existing approval.

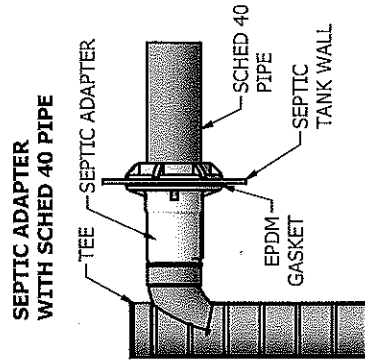
Questions? Please contact Randy Trox, trox.randall@deq.state.or.us, or by phone, 541-687-7338.

Sincerely,

David Belyea, Manager
Regional Environmental Solutions

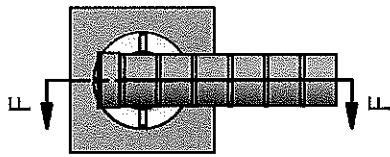
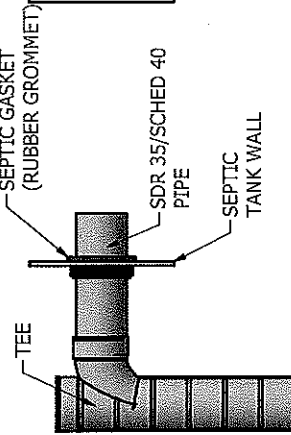


SEPTIC ADAPTER WITH SDR 35 PIPE

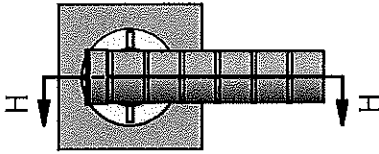


SEPTIC ADAPTER WITH SCHED 40 PIPE

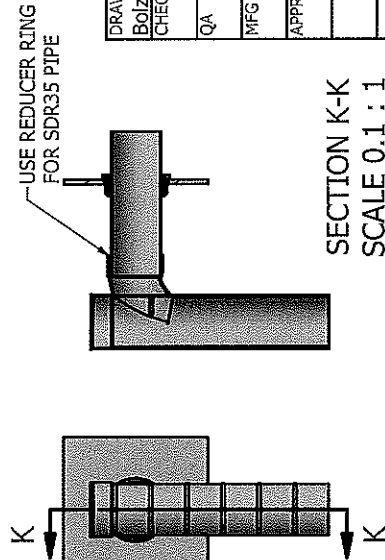
GASKET AND TEE



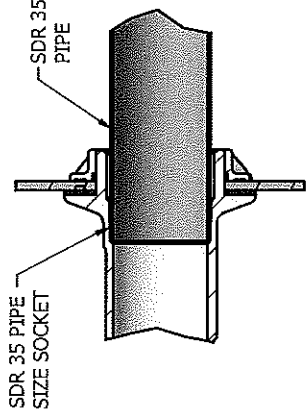
SECTION F-F SCALE 0.1 : 1



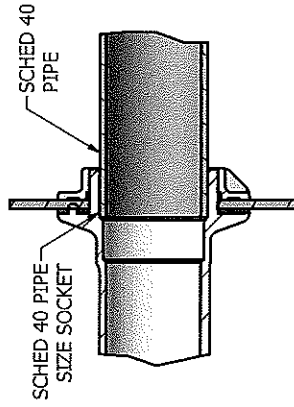
SECTION H-H SCALE 0.1 : 1



SECTION K-K SCALE 0.1 : 1



DETAIL G SCALE 1 / 5



DETAIL J SCALE 1 / 5

APPROVED
By Randy Trox at 8:11 am, Apr 06, 2016

2/11/2016	NORWESCO INDUSTRIES, INC.		REV
Boizer	NORWESCO, INC. SAINT BONIFACIUS, MN		
CHECKED	TITLE		
QA	SEPTIC ADAPTER/GASKET AND TEE COMPARISON		
MFG	SIZE	DWG NO	
APPROVED	B		
	SCALE: 1/16		
			SHEET 1 OF 1