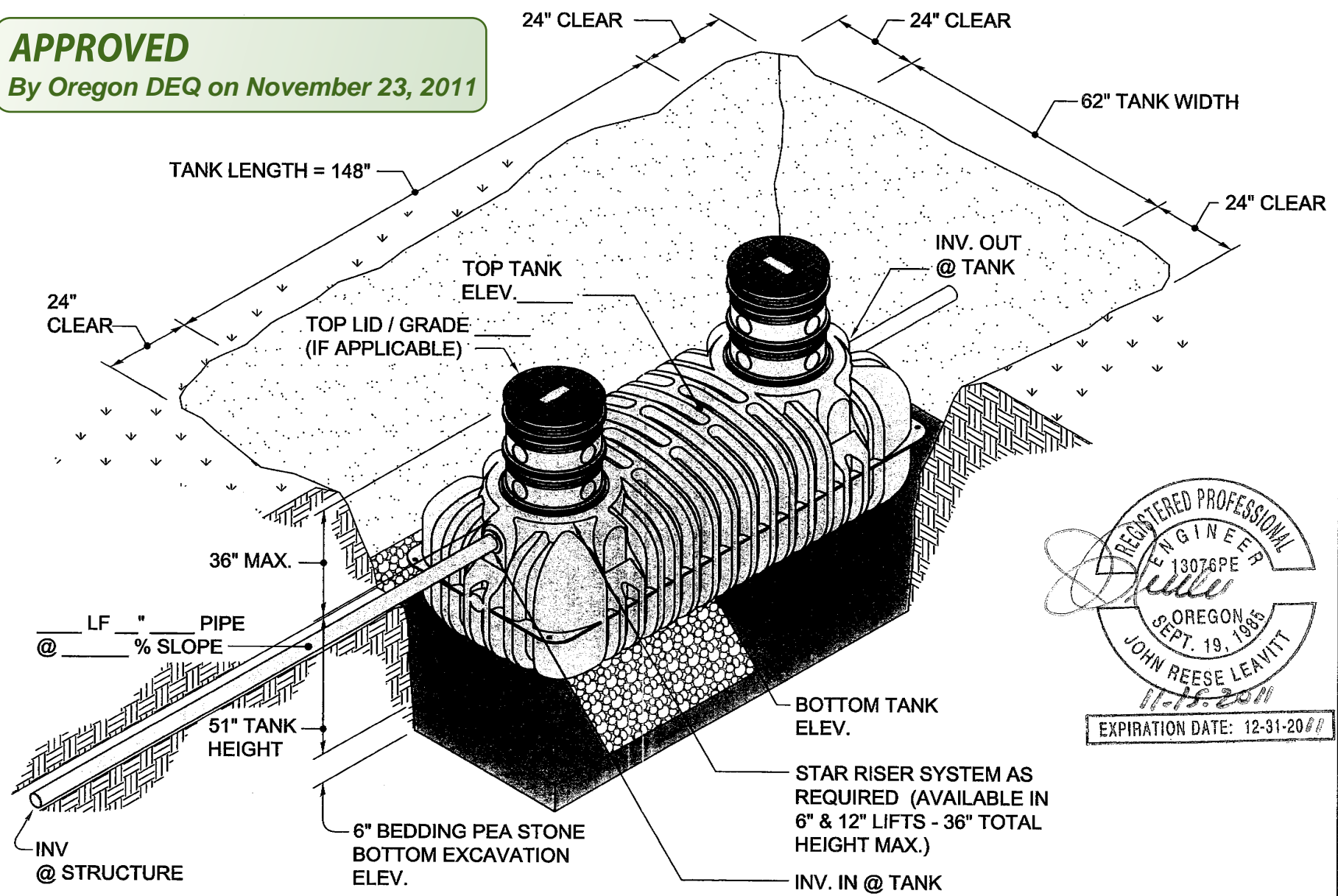


SEE INSTALLATION INSTRUCTIONS FOR ADDITIONAL DIRECTIONS 

APPROVED
By Oregon DEQ on November 23, 2011



REGISTERED PROFESSIONAL ENGINEER
13076PE
John Reese Leavitt
OREGON
SEPT. 19, 1985
JOHN REESE LEAVITT
11-18-2011
EXPIRATION DATE: 12-31-2011

DWG SCALE: 1:1
PLOT SCALE:
SHEET #: 1 OF 1

OREGON - ROTH MultiTank® 1250 GALLON MODEL RMT-1250 TWO CHAMBER DOSING TANK



ROTH GLOBAL PLASTICS
One General Motors Drive
Syracuse N.Y. 13206
Call Toll Free 866.943.7256
www.fralo.net

APPROVED
By Oregon DEQ on November 23, 2011

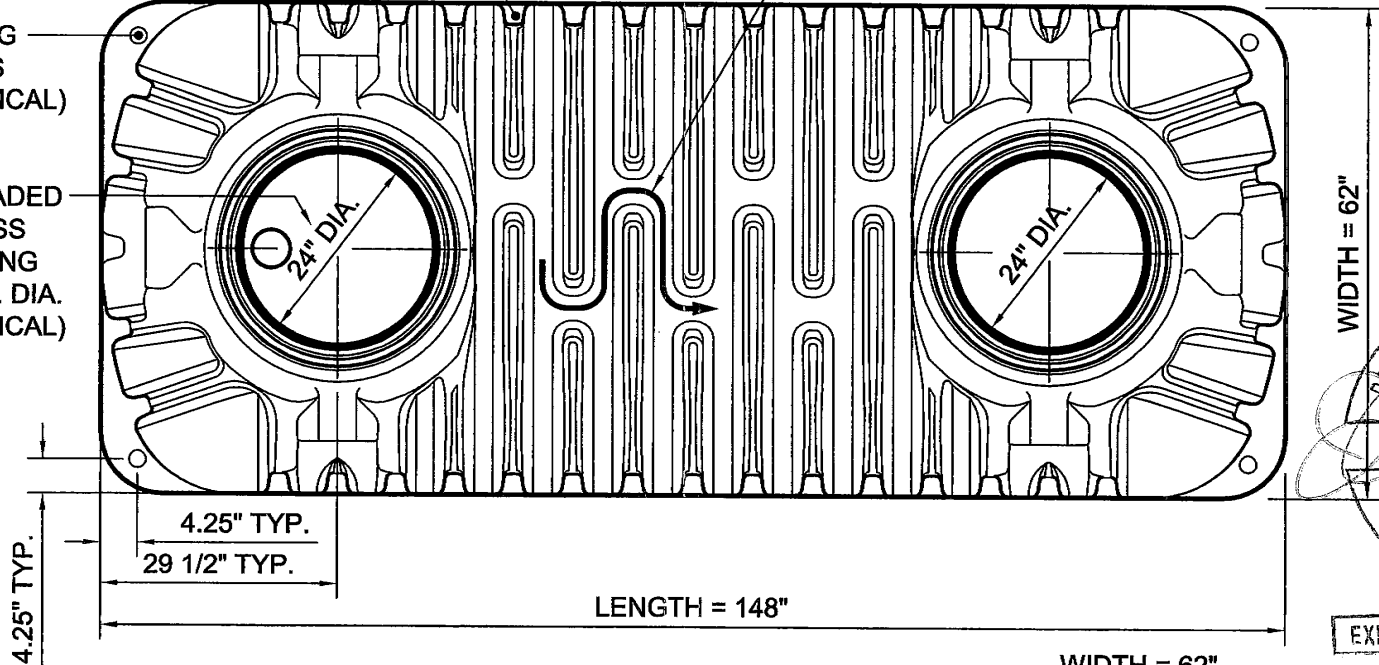
HORIZONTAL STRUCTURAL REINFORCING RIBS
(FULL CIRCUMFERENCE)

GAS (TOP) / LIQUID (BOTTOM)
PASS-THRU SLOT INSIDE TANK

TOP

LIFTING HOLES
(4 TYPICAL)

THREADED ACCESS OPENING
24" I.D. DIA.
(2 TYPICAL)



REGISTERED PROFESSIONAL ENGINEER
13076PE
JOHN REESE LEAVITT
OREGON
SEPT. 19, 1985
11-15-2011
EXPIRATION DATE: 12-31-2011

SEE THE FOLLOWING INSTALLATION PROCEDURES AND DETAILS WHICH ARE PROVIDED WITH EACH TANK (<http://www.roth-global.net/installation.cfm>):

- INSTALLATION NATIVE SOIL
- INSTALLATION CLAY SOIL
- INSTALLATION HIGH GROUNDWATER (HGW)
- INSTALLATION HGW - CLAY SOIL
- INSTALLATION NOTES
- RISER SEALING SEMINAR - MARCH 2006
- GENERAL INSTALLATION SEMINAR

A WATER TIGHT TEST IS REQUIRED (OAR 340-0730025(3)).

Structural Design Loads:

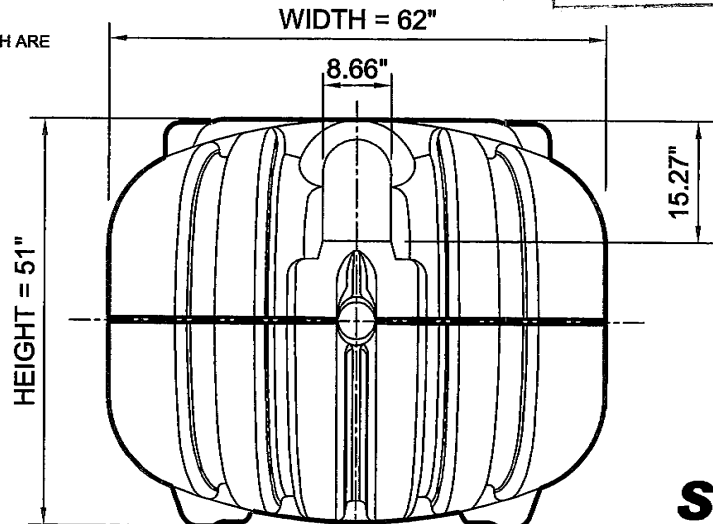
- Hydraulic - 62.5 pcf
- Hydrostatic- 62.5 pcf
- Earth - 330 psf
- Traffic - 2,500 lbf

w/ 3' of cover

Tank is **not** Traffic Rated

SEPTIC TANK SPECS

OPERATING GALLONS		TOTAL CAPACITY			WEIGHT
GALLONS	LITERS	GALLONS	GALLONS/INCH	LITERS	POUNDS
1343	5083	1469	32	5560	560



SIDE

DWG SCALE: 1:1

PLOT SCALE:

SHEET #: 1 OF 3

OREGON - ROTH MultiTank® 1250 GALLON MODEL RMT-1250 TWO CHAMBER DOSING TANK



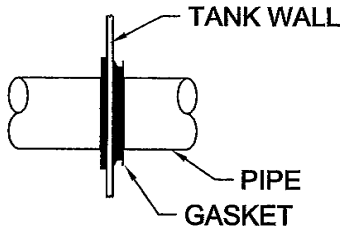
ROTH GLOBAL PLASTICS
One General Motors Drive
Syracuse N.Y. 13206
Call Toll Free 866.943.7256
www.fralo.net

APPROVED

By Oregon DEQ on November 23, 2011

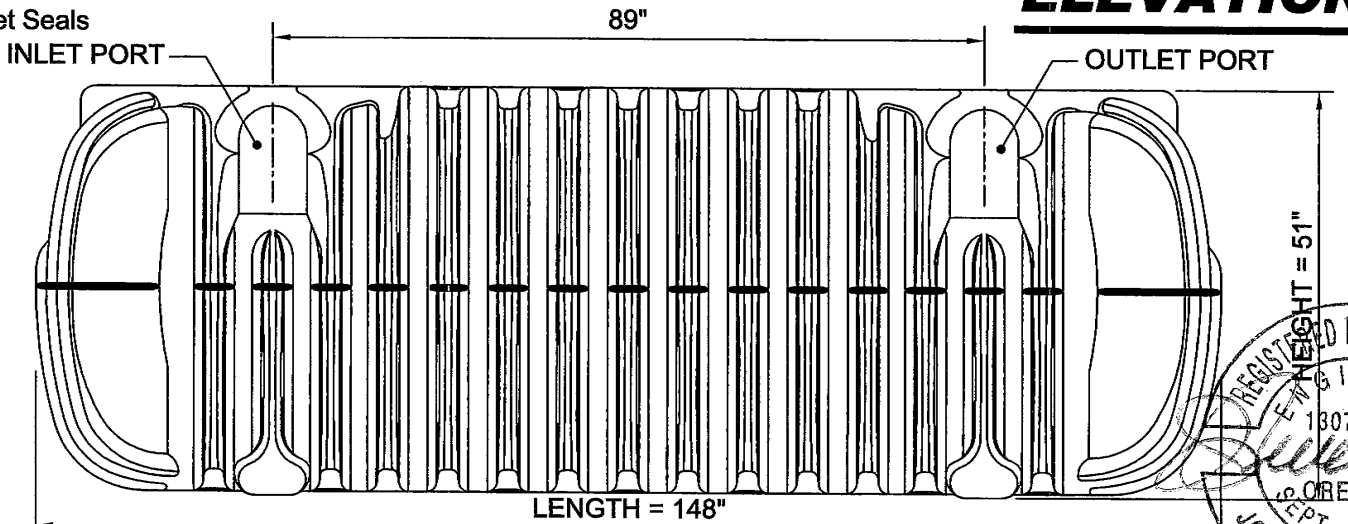
Fittings: PVC ASTM D3034 or ABS ASTM 2680
Gaskets: ASTM 564 Rubber Grommet Seals

ELEVATION

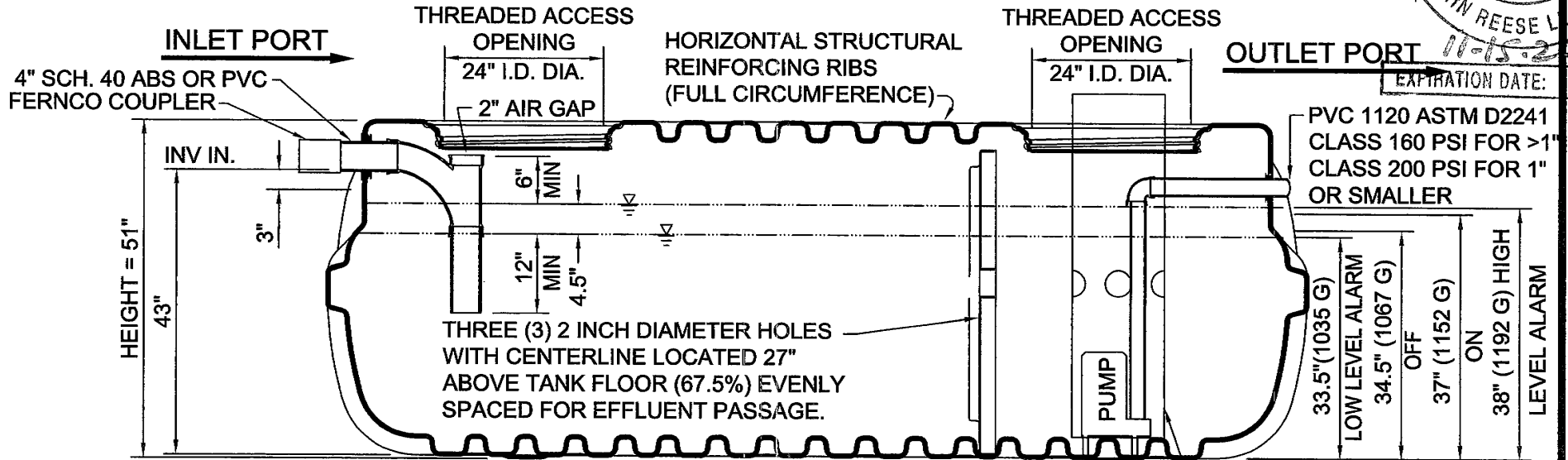


WATER TIGHT PIPE CONNECTIONS DETAIL

NOTE: USE FOR INLET, OUTLET, OUTLET PIPING, AND ELECTRICAL PENETRATIONS



REGISTERED PROFESSIONAL ENGINEER
13076PE
JOHN REESE LAVITT
EXPIRATION DATE: 11-15-2011
2-31-20



NOTE: 1/3 OF TANK CAPACITY IS REQUIRED FOR SURGE, RESERVE STORAGE, SLUDGE AND SCUM ACCUMULATION. PUMP CONTROL/ALARM FLOAT TO BE SET AT 2/3 OF THE TOTAL TANK CAPACITY.

CORROSION RESISTANT VAULT PER OAR 340-073-0055 W/ (4) 2"Ø HOLES AT 27" ABOVE TANK FLOOR

SECTION

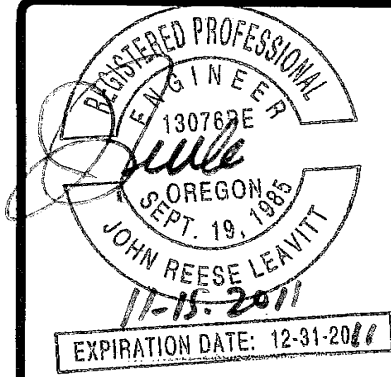
DWG SCALE: 1:1
PLOT SCALE:
SHEET #: 2 OF 3

OREGON - ROTH MultiTank® 1250 GALLON MODEL RMT-1250 TWO CHAMBER DOSING TANK



ROTH GLOBAL PLASTICS
One General Motors Drive
Syracuse N.Y. 13206
Call Toll Free 866.943.7256
www.fralo.net

ISOMETRIC

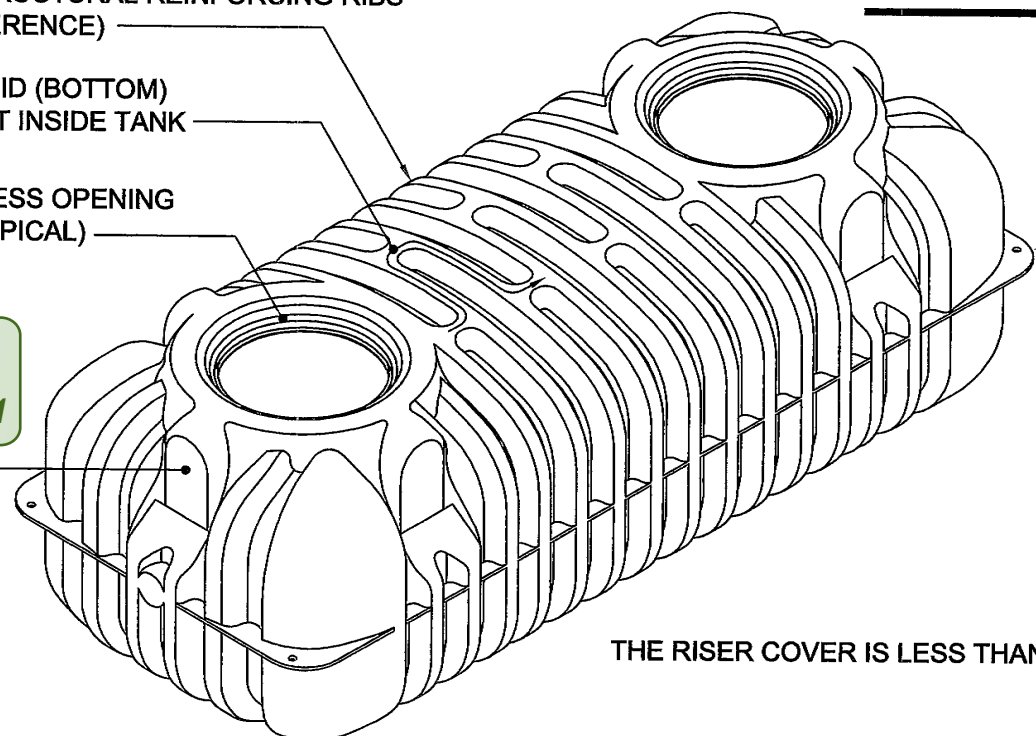


HORIZONTAL STRUCTURAL REINFORCING RIBS
(FULL CIRCUMFERENCE)

GAS (TOP) / LIQUID (BOTTOM)
PASS-THRU SLOT INSIDE TANK

THREADED ACCESS OPENING
24" I.D. DIA. (2 TYPICAL)

LIFTING
HOLES
(4 TYPICAL)



INLET LOCATION
PER APPROVAL

THE RISER COVER IS LESS THAN 75 POUNDS.

APPROVED

By Oregon DEQ on November 23, 2011



WARNING

TANK NOTES

1. Access at or above grade level must be secured against unauthorized access.
2. Tank is not rated for vehicular traffic loading. A 2500 lb wheel load minimum capacity.
3. All resin used is compliant with ASTM D 1248 as required by CSA B66 and IAPMO / ANSI Z1000-2007.
4. Tank material of construction is HMW-HDPE.
5. Primary dimensions are in inches
6. Minimum tank wall thickness is 1/4".
7. Labeling will include: manufacturer name, liquid capacity, date, maximum burial depth, and model number.
8. Riser cover contains the following: 6" x 3" warning:
"Danger - Do not enter - Poison Gas" - written in English, French & Spanish.
9. Maximum burial depth is 36".
10. Models RMT-750, RMT-1060, RMT-1250 and RMT-1500 are all certified to CSA and IAPMO standards.
11. Models RMT-500, RMT-900 and RMT-1000E are compliant with CSA and IAPMO standards.

NOTES

DWG SCALE: 1:1

PLOT SCALE:

SHEET #:
3 OF 3

**OREGON - ROTH MultiTank® 1250 GALLON
MODEL RMT-1250 TWO CHAMBER DOSING TANK**



ROTH GLOBAL PLASTICS
One General Motors Drive
Syracuse N.Y. 13206
Call Toll Free 866.943.7256
www.fralo.net