



Oregon

Kate Brown, Governor

Department of Environmental Quality

Western Region Eugene Office

165 East 7th Avenue, Suite 100

Eugene, OR 97401

(541) 686-7838

FAX (541) 686-7551

TTY 711

July 16, 2018

George Johnson
Ecological Tanks, Inc.
2247 Highway 151N
Downsville, LA 71234

RE: Aqua Aire® and Aqua Safe® AA500-35NR and
AS600 + 4NR with UV

You recently submitted a 'material plan review' application to update the design by including the use of a Salcor 3G UV disinfection unit.

DEQ staff issued an approval letter for the Aqua Aire® and Aqua Safe® AA500-35NR and AS600 + 4NR with UV disinfection on July 2, 2015. DEQ staff have reviewed the data submitted and has approved the request.

This letter amends the approval letters listed above with the additional UV unit listed to include Salcor 3G and will also include plan approval dated July 16, 2018 and is included with this letter.

Questions? Please contact Randy Trox, trox.randall@deq.state.or.us, or by phone, 541-687-7338.

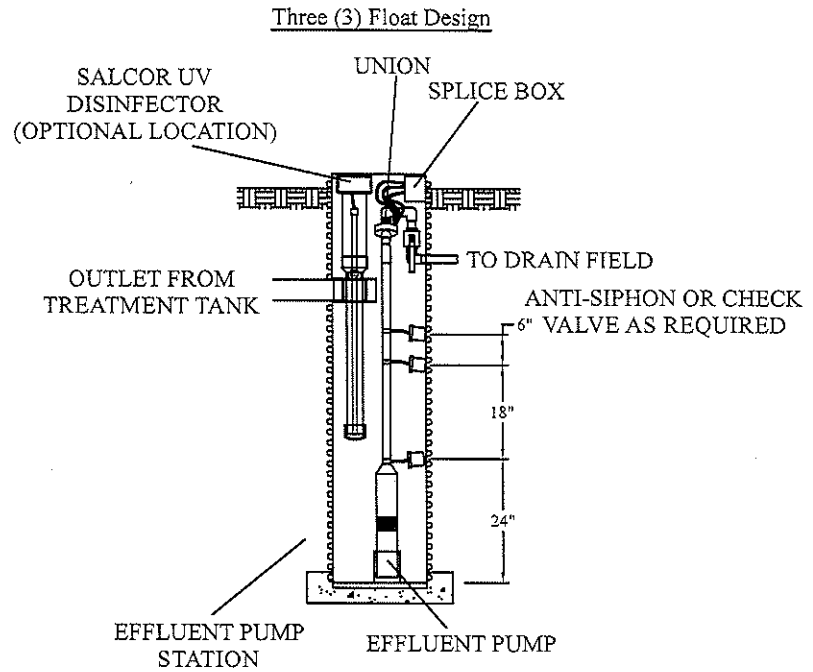
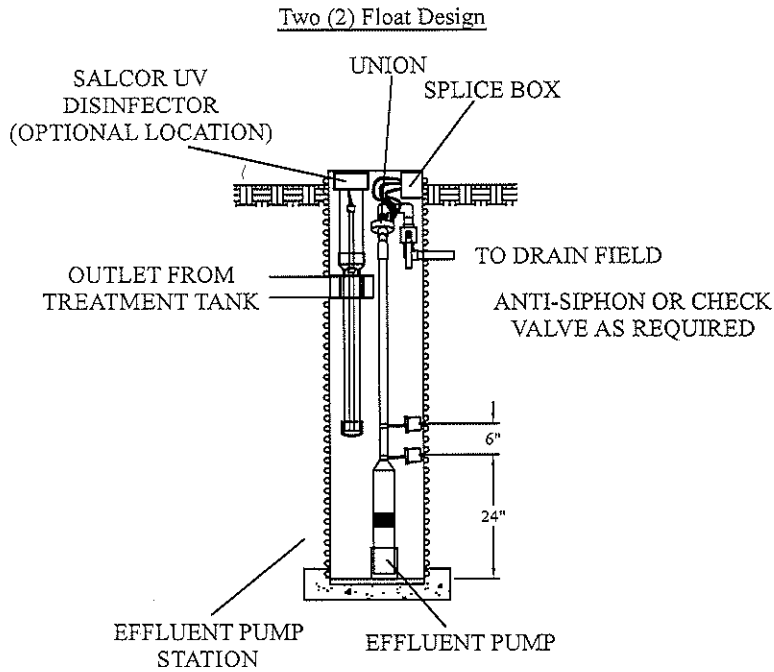
Sincerely,

David Belyea, Manager
Regional Environmental Solutions

ec: DEQ Onsite Program and contract agents w/attachments
Calvin Locker, agent for Ecological Tanks

APPROVED

By Randy Trox at 3:15 pm, Jul 13, 2018



Pump Down Volumes

<u>18" Diameter</u>	<u>24" Diameter</u>	<u>30" Diameter</u>	<u>36" Diameter</u>
<u>1.1 gallons/inch</u>	<u>2.0 gallons/inch</u>	<u>3.1 gallons/inch</u>	<u>4.4 gallons/inch</u>

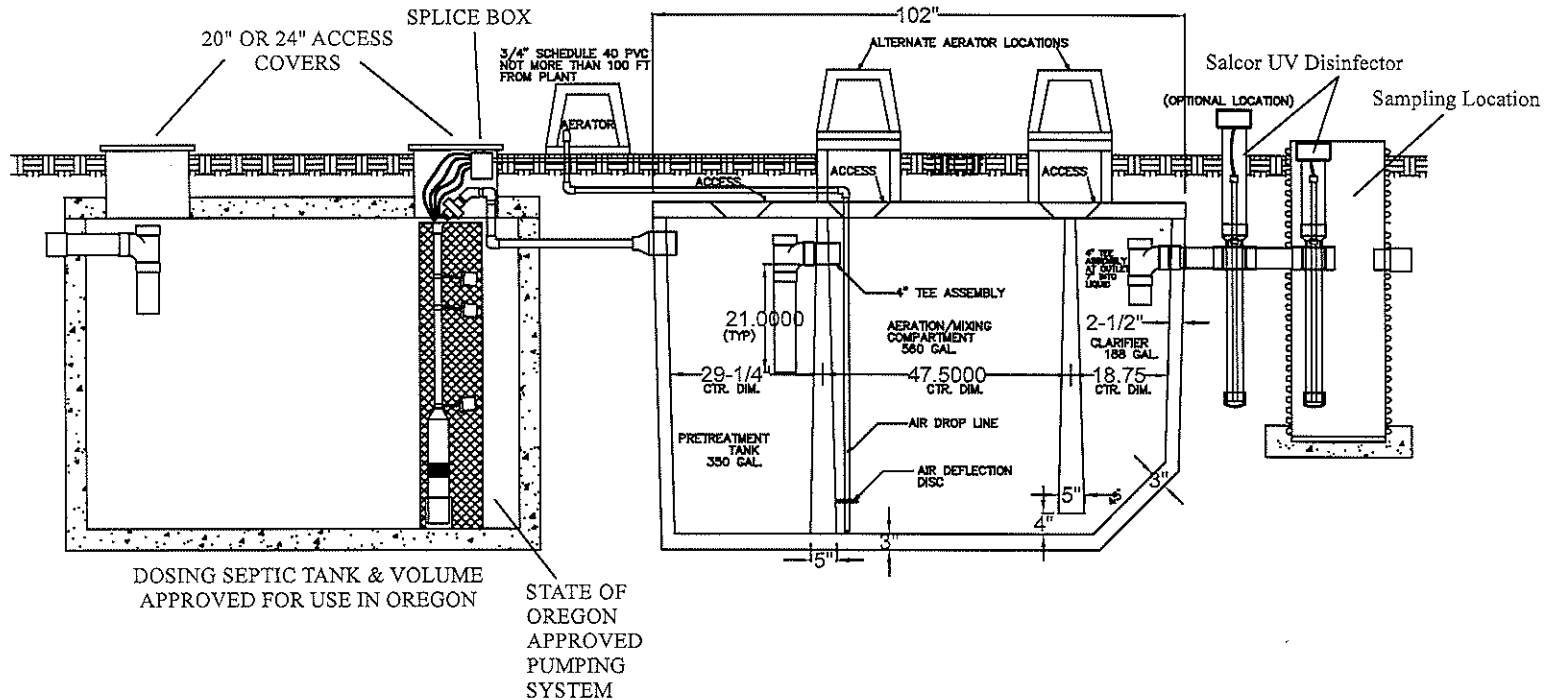
NOTES:

1. ALL EXTERIOR PIPE SIZES AS PER OREGON REQUIREMENTS.
2. THE VOLUME OF THE SEPTIC TANK WILL BE AS REQUIRED IN OAR 340-071.

ECOLOGICAL TANKS, INC 2477 HWY 151 NORTH DOWNSVILLE, LA 71234	SPECIFICATIONS OF PUMP VAULT FOR USE WITH AQUA AIRE® AND AQUA SAFE®			DRAWING NO. PVO-ASAA
	NO PART OF THIS DOCUMENT MAY BE REPRODUCED, STORED IN ANY RETRIEVAL SYSTEM, OR TRANSMITTED IN ANY FORM OR BY ANY MEANS, ELECTRONIC, MECHANICAL, PHOTOCOPYING, RECORDING OR OTHERWISE WITHOUT THE PRIOR WRITTEN PERMISSION OF ECOLOGICAL TANKS, INC.	SCALE: NTS	DATE 3/5/2018	

APPROVED

By Randy Trox at 3:32 pm, Jul 13, 2018



NOTES:

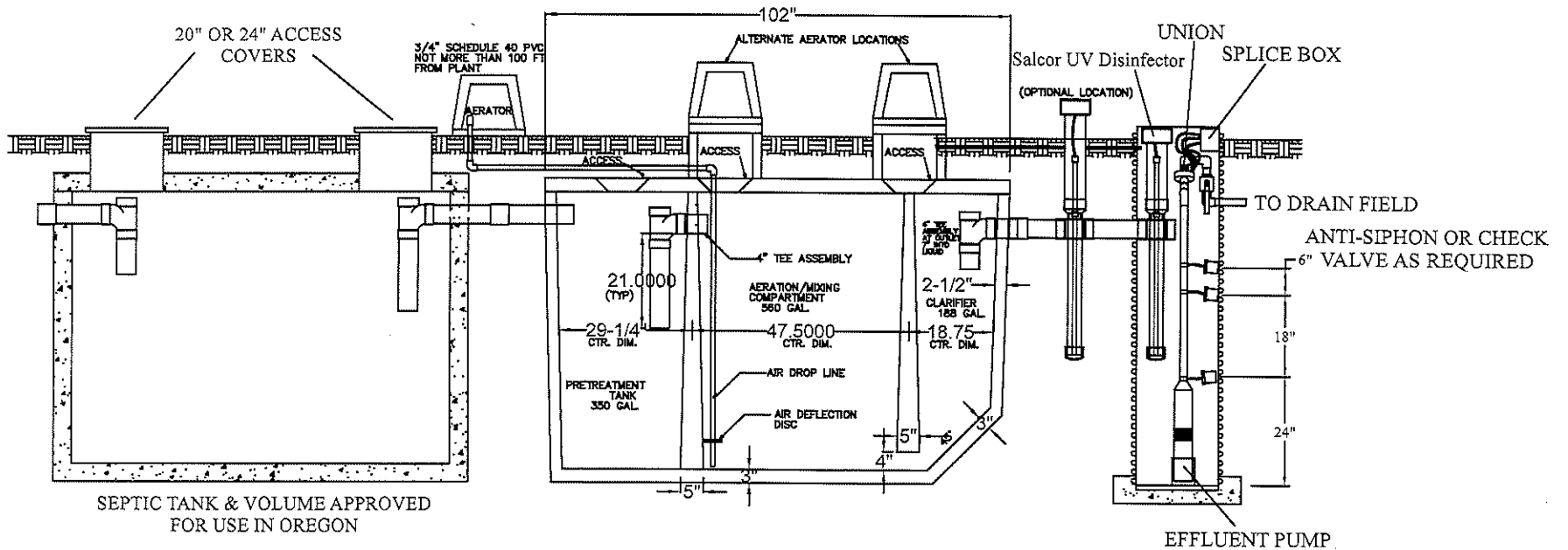
1. ALL EXTERIOR PIPE SIZES AS PER OREGON REQUIREMENTS.
2. THE VOLUME OF THE SEPTIC TANK WILL BE AS REQUIRED IN OAR 340-071.
3. AS AN OPTION, THE COMPRESSOR, CONTROL PANEL, AND ENCLOSURE CAN BE MOUNTED REMOTELY PROVIDED THEY ARE WITHIN 100' OF THE TREATMENT UNIT.

The Aqua Aire® includes a Model 202FS-SA that de-activates the dosing pump in the event of an alarm condition, preventing the discharge of un-treated or partially-treated effluent.

ECOLOGICAL TANKS, INC 2477 HWY 151 NORTH DOWNSVILLE, LA 71234	Aqua Aire® AA500-35NR + Salcor UV Disinfector w/ approved Dosing Septic Tank		
	NO PART OF THIS DOCUMENT MAY BE REPRODUCED, STORED IN ANY RETRIEVAL SYSTEM, OR TRANSMITTED IN ANY FORM OR BY ANY MEANS, ELECTRONIC, MECHANICAL, PHOTOCOPYING, RECORDING OR OTHERWISE WITHOUT THE PRIOR WRITTEN PERMISSION OF ECOLOGICAL TANKS, INC.	SCALE: NTS	DATE 3/5/2018

APPROVED

By Randy Trox at 3:32 pm, Jul 13, 2018



SEPTIC TANK & VOLUME APPROVED FOR USE IN OREGON

NOTES:

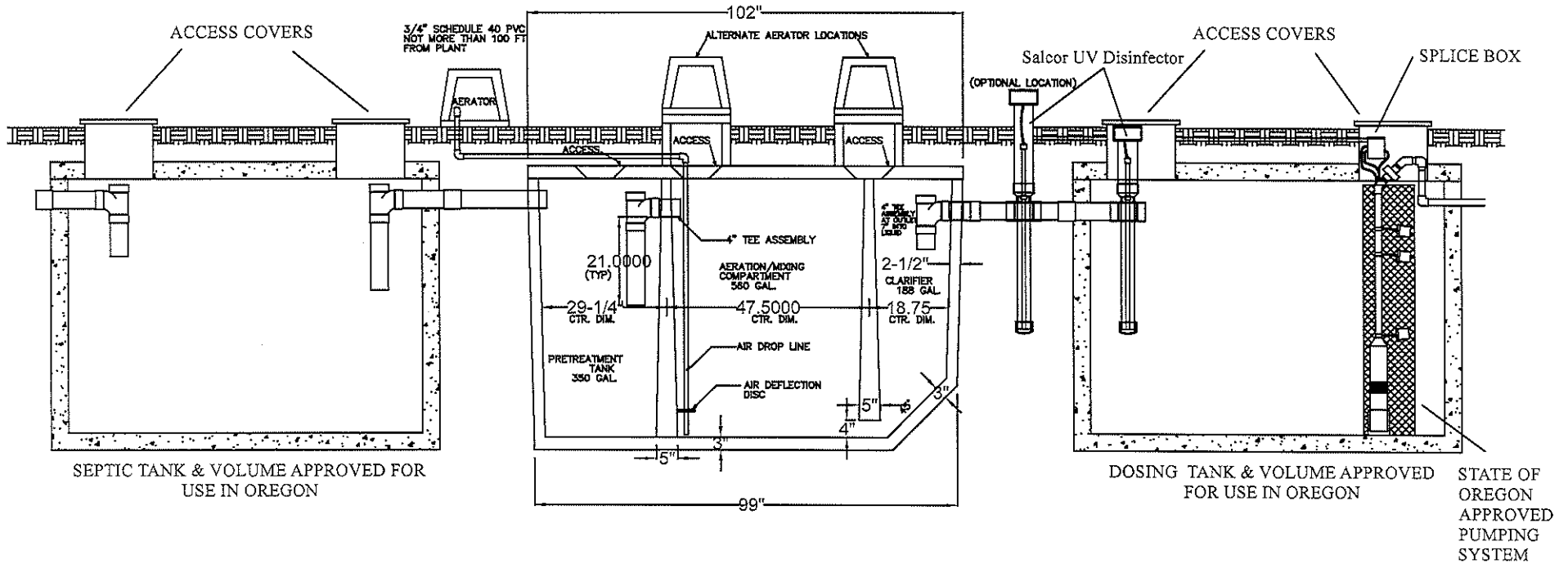
1. ALL EXTERIOR PIPE SIZES AS PER OREGON REQUIREMENTS.
2. THE VOLUME OF THE SEPTIC TANK WILL BE AS REQUIRED IN OAR 340-071.
3. AS AN OPTION, THE COMPRESSOR, CONTROL PANEL, AND ENCLOSURE CAN BE MOUNTED REMOTELY PROVIDED THEY ARE WITHIN 100' OF THE TREATMENT UNIT.

The Aqua Aire® includes a Model 202FS-SA that de-activates the dosing pump in the event of an alarm condition, preventing the discharge of un-treated or partially-treated effluent.

<p>ECOLOGICAL TANKS, INC 2477 HWY 151 NORTH DOWNSVILLE, LA 71234</p>	<p>Aqua Aire® AA500-35NR + Salcor UV Disinfector w/ Effluent Pump Vault</p>		
	<p>NO PART OF THIS DOCUMENT MAY BE REPRODUCED, STORED IN ANY RETRIEVAL SYSTEM, OR TRANSMITTED IN ANY FORM OR BY ANY MEANS, ELECTRONIC, MECHANICAL, PHOTOCOPIING, RECORDING OR OTHERWISE WITHOUT THE PRIOR WRITTEN PERMISSION OF ECOLOGICAL TANKS, INC.</p>	<p>SCALE: NTS</p>	<p>DATE 3/5/2018</p>

APPROVED

By Randy Trox at 3:32 pm, Jul 13, 2018



NOTES:

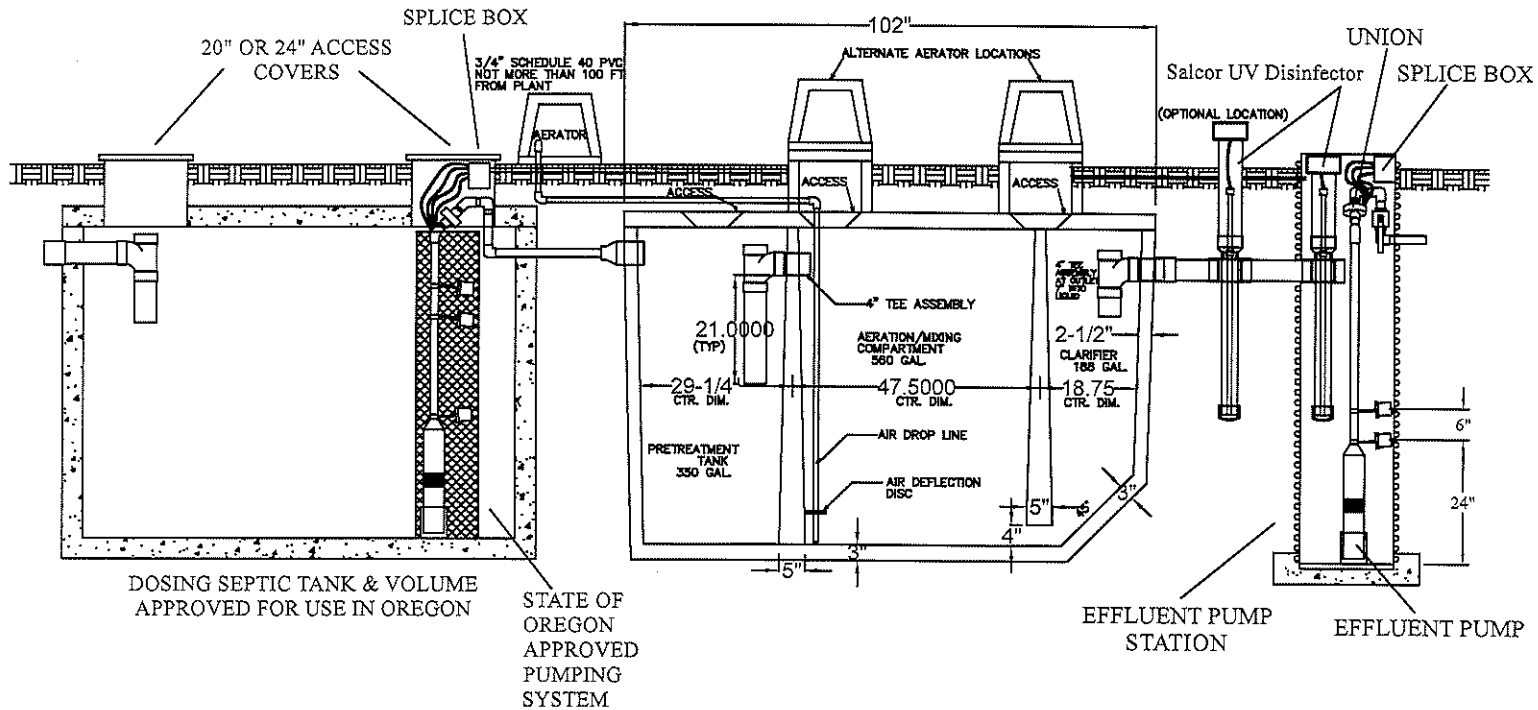
1. ALL EXTERIOR PIPE SIZES AS PER OREGON REQUIREMENTS.
2. THE VOLUME OF THE SEPTIC TANK WILL BE AS REQUIRED IN OAR 340-071.
3. AS AN OPTION, THE COMPRESSOR, CONTROL PANEL, AND ENCLOSURE CAN BE MOUNTED REMOTELY PROVIDED THEY ARE WITHIN 100' OF THE TREATMENT UNIT.

The Aqua Aire® includes a Model 202FS-SA that de-activates the dosing pump in the event of an alarm condition, preventing the discharge of un-treated or partially-treated effluent.

ECOLOGICAL TANKS, INC 2477 HWY 151 NORTH DOWNSVILLE, LA 71234	Aqua Aire® AA500-35NR + Salcor UV Disinfector w/ approved Effluent Dosing Septic Tank		
	<small>NO PART OF THIS DOCUMENT MAY BE REPRODUCED, STORED IN ANY RETRIEVAL SYSTEM, OR TRANSMITTED IN ANY FORM OR BY ANY MEANS, ELECTRONIC, MECHANICAL, PHOTOCOPYING, RECORDING OR OTHERWISE WITHOUT THE PRIOR WRITTEN PERMISSION OF ECOLOGICAL TANKS, INC.</small>	SCALE: NTS	DATE 3/5/2018

APPROVED

By Randy Trox at 3:32 pm, Jul 13, 2018



DOSING SEPTIC TANK & VOLUME APPROVED FOR USE IN OREGON

STATE OF OREGON APPROVED PUMPING SYSTEM

EFFLUENT PUMP STATION

EFFLUENT PUMP

NOTES:

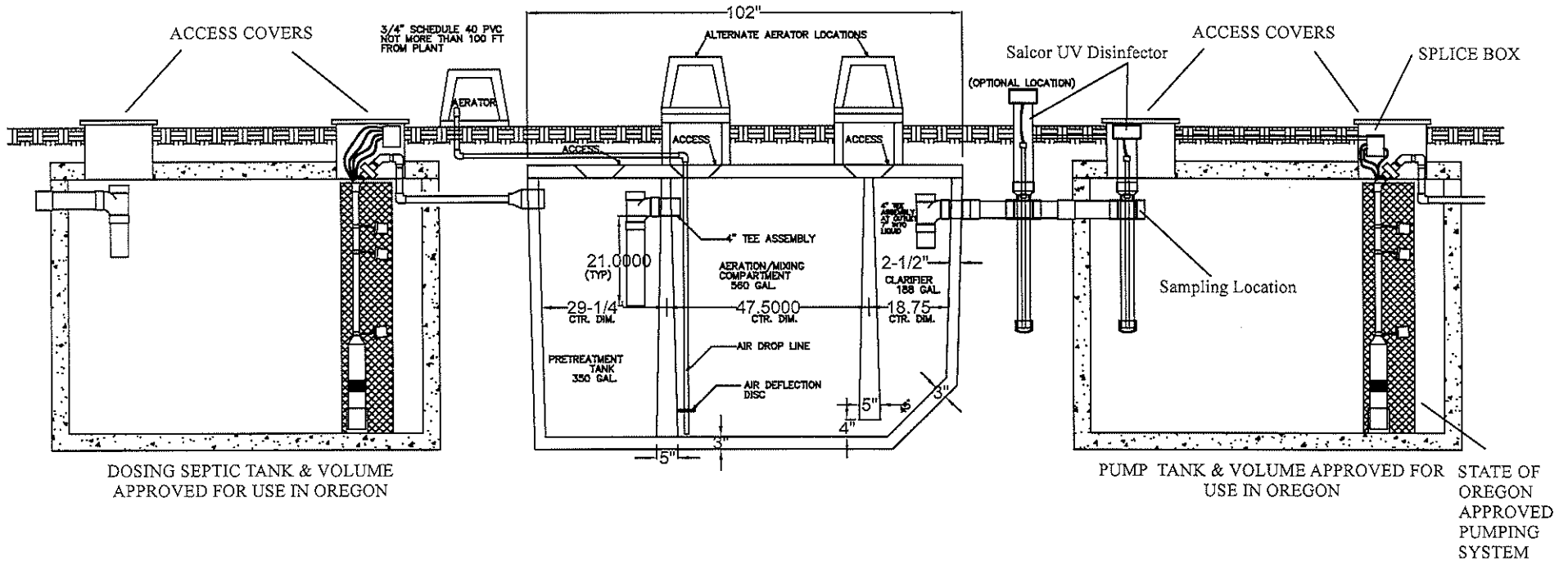
1. ALL EXTERIOR PIPE SIZES AS PER OREGON REQUIREMENTS.
2. THE VOLUME OF THE SEPTIC TANK WILL BE AS REQUIRED IN OAR 340-071.
3. AS AN OPTION, THE COMPRESSOR, CONTROL PANEL, AND ENCLOSURE CAN BE MOUNTED REMOTELY PROVIDED THEY ARE WITHIN 100' OF THE TREATMENT UNIT.

The Aqua Aire® includes a Model 202FS-SA that de-activates the dosing pump in the event of an alarm condition, preventing the discharge of un-treated or partially-treated effluent.

ECOLOGICAL TANKS, INC 2477 HWY 151 NORTH DOWNSVILLE, LA 71234	Aqua Aire® AA500-35NR + Salcor UV Disinfector w/ approved Dosing Septic Tank and Effluent Pump Vault		
	NO PART OF THIS DOCUMENT MAY BE REPRODUCED, STORED IN ANY RETRIEVAL SYSTEM, OR TRANSMITTED IN ANY FORM OR BY ANY MEANS, ELECTRONIC, MECHANICAL, PHOTOCOPYING, RECORDING OR OTHERWISE WITHOUT THE PRIOR WRITTEN PERMISSION OF ECOLOGICAL TANKS, INC.	SCALE: NTS	DATE 3/5/2018

APPROVED

By Randy Trox at 3:33 pm, Jul 13, 2018



DOSING SEPTIC TANK & VOLUME APPROVED FOR USE IN OREGON

PUMP TANK & VOLUME APPROVED FOR USE IN OREGON STATE OF OREGON APPROVED PUMPING SYSTEM

NOTES:

1. ALL EXTERIOR PIPE SIZES AS PER OREGON REQUIREMENTS.
2. THE VOLUME OF THE SEPTIC TANK WILL BE AS REQUIRED IN OAR 340-071.
3. AS AN OPTION, THE COMPRESSOR, CONTROL PANEL, AND ENCLOSURE CAN BE MOUNTED REMOTELY PROVIDED THEY ARE WITHIN 100' OF THE TREATMENT UNIT.

The Aqua Aire® includes a Model 202FS-SA that de-activates the dosing pump in the event of an alarm condition, preventing the discharge of un-treated or partially-treated effluent.

<p>ECOLOGICAL TANKS, INC 2477 HWY 151 NORTH DOWNSVILLE, LA 71234</p>	<p>Aqua Aire® AA500-35NR + Salcor UV Disinfector w/ approved Dosing Septic Tank and approved Effluent Dosing Septic Tank</p>		
	<p>NO PART OF THIS DOCUMENT MAY BE REPRODUCED, STORED IN ANY RETRIEVAL SYSTEM, OR TRANSMITTED IN ANY FORM OR BY ANY MEANS, ELECTRONIC, MECHANICAL, PHOTOCOPYING, RECORDING OR OTHERWISE WITHOUT THE PRIOR WRITTEN PERMISSION OF ECOLOGICAL TANKS, INC.</p>	<p>SCALE: NTS</p>	<p>DATE 3/5/2018</p>