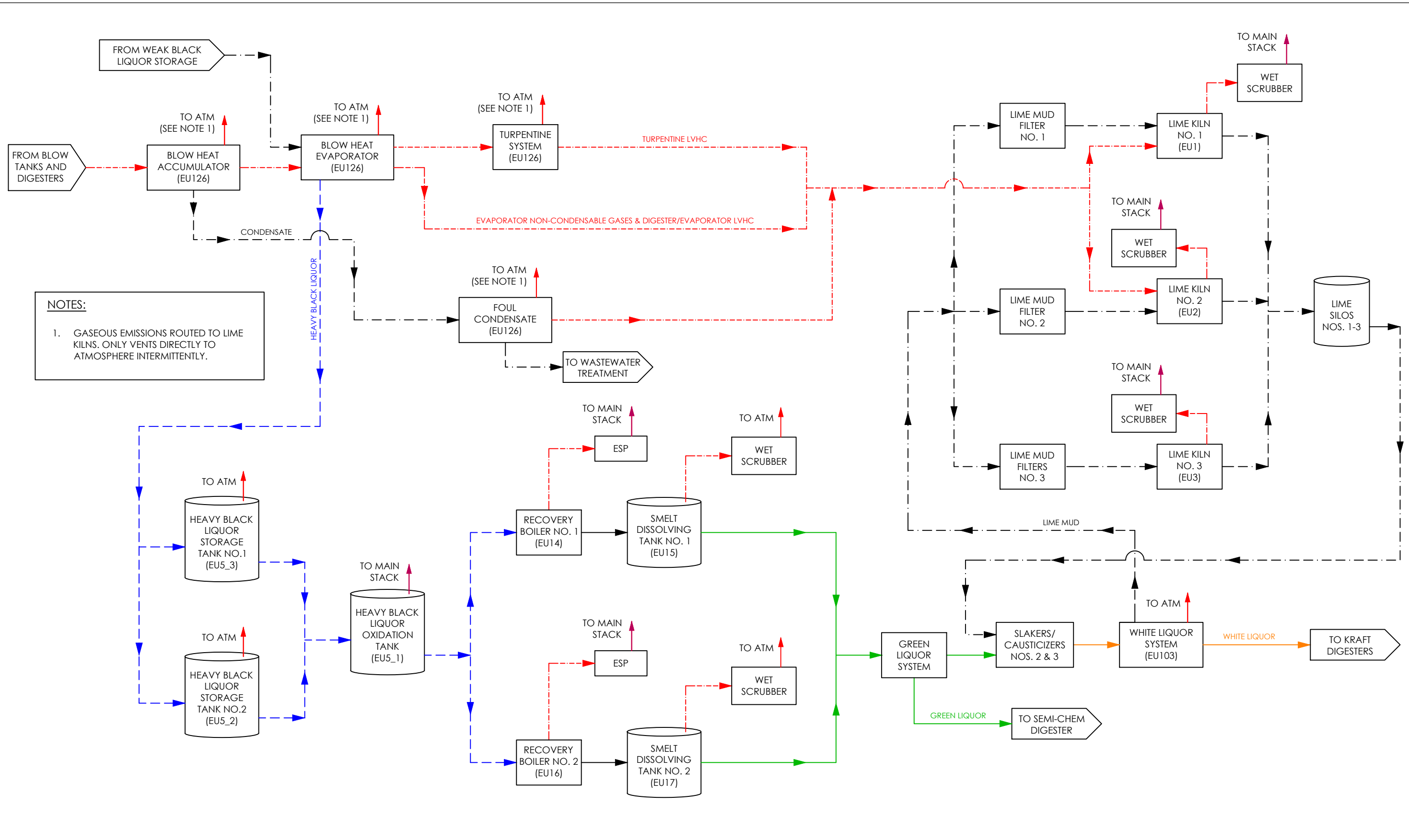


<b>LEGEND:</b>	GREEN LIQUOR	EMISSIONS TO ATMOSPHERE (VENT OR STACK)
PRODUCT	GAS OR VAPOR	EMISSIONS TO MAIN STACK
FEEDSTOCK	OCC REJECTS	
WHITE LIQUOR	WASTE STREAM	
WEAK BLACK LIQUOR	DEPARTMENT	
	AMRS ADVANCED MATERIALS RECOVERY SYSTEM	
	ATM ATMOSPHERE	
	OCC OLD CORRUGATED CONTAINERBOARD	

**Figure 1 - Process Flow Diagram**  
**Pulp and Paper Mills**  
 Georgia-Pacific LLC  
 Toledo, Oregon

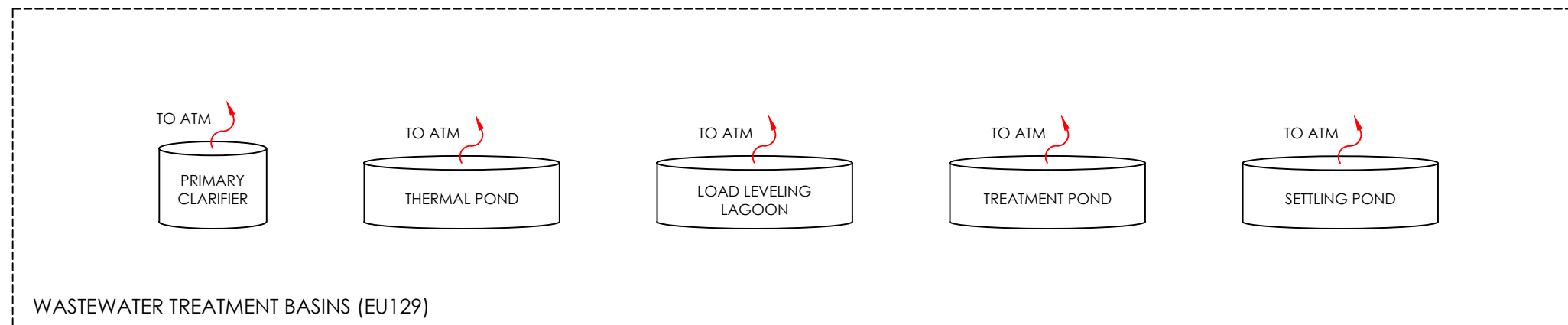
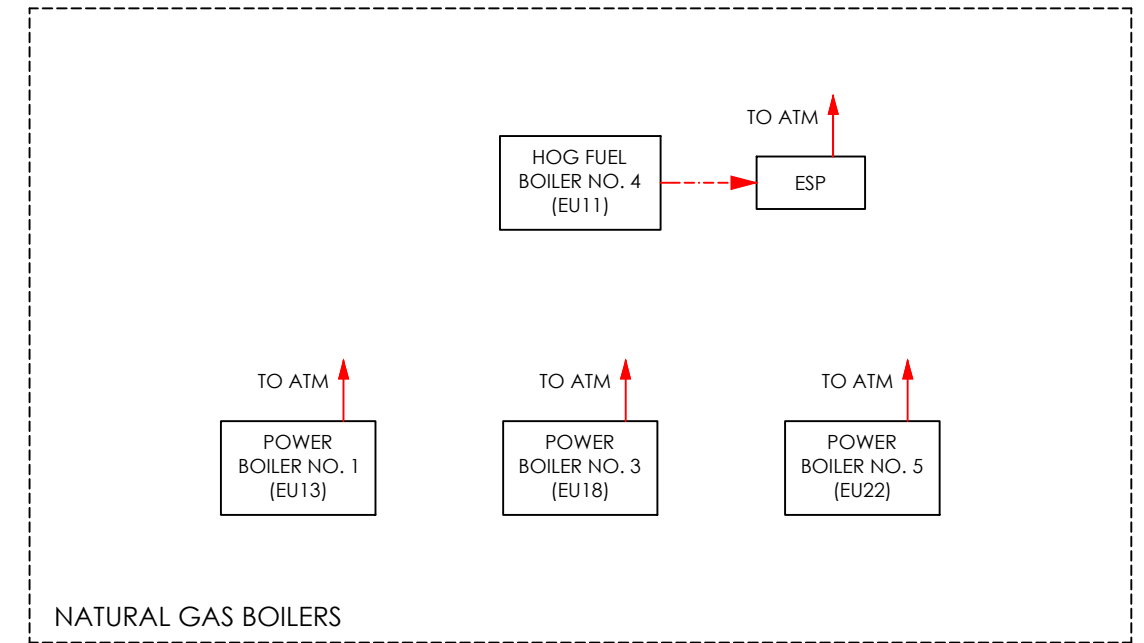
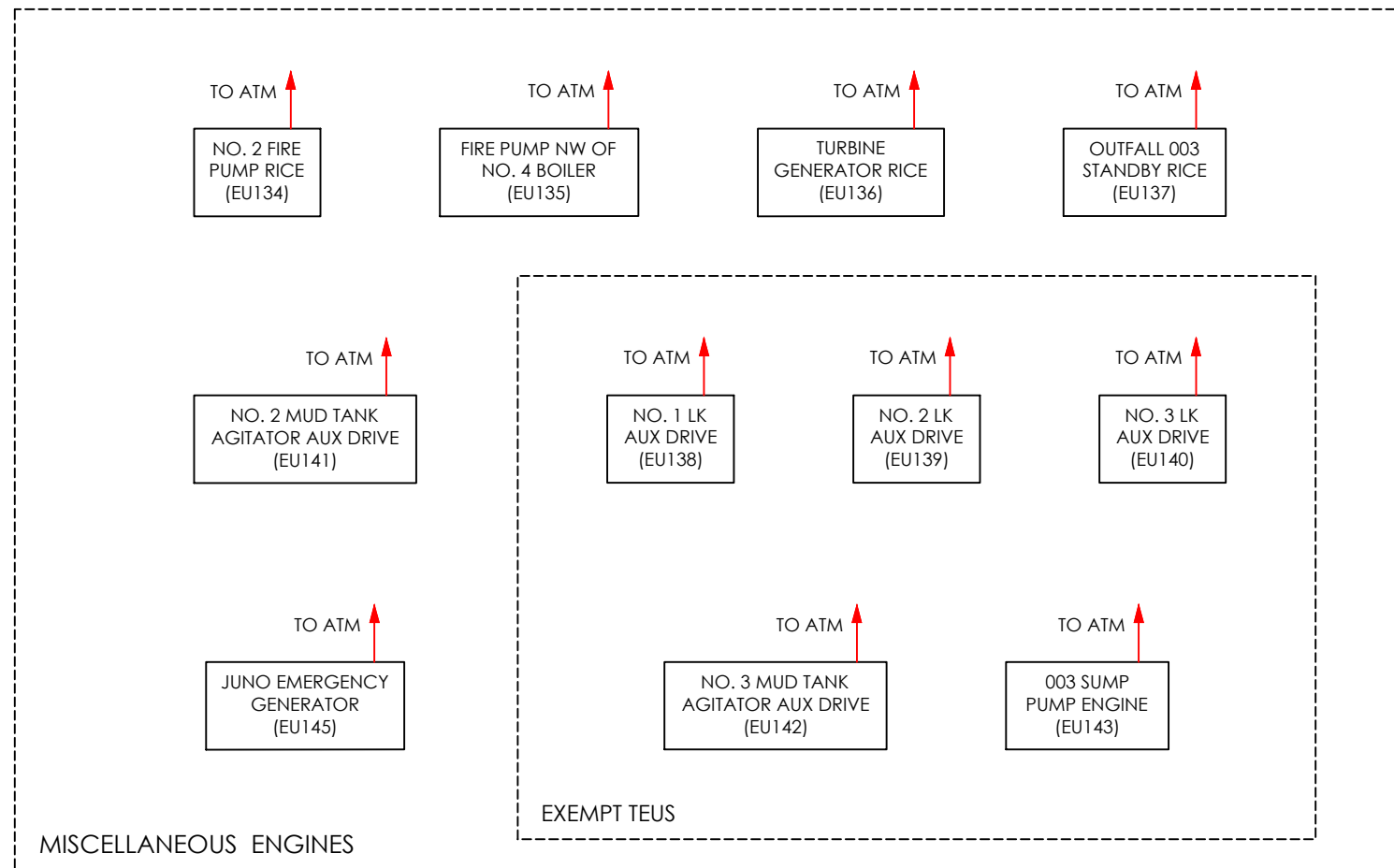


**NOTES:**  
 1. GASEOUS EMISSIONS ROUTED TO LIME KILNS. ONLY VENTS DIRECTLY TO ATMOSPHERE INTERMITTENTLY.

**LEGEND:**

- - - GAS OR VAPOR
- - - HEAVY BLACK LIQUOR
- - - LIQUID OR PRECIPITATE
- - - GREEN LIQUOR
- WHITE LIQUOR
- ATM ATMOSPHERE
- ESP ELECTROSTATIC PRECIPITATOR
- LVHC LOW VOLATILITY HIGH CONCENTRATION GASES
- ↑ EMISSIONS TO ATMOSPHERE (VENT OR STACK)
- ↑ EMISSIONS TO MAIN STACK

**Figure 2 - Process Flow Diagram  
 Chemical Recovery**  
 Georgia-Pacific LLC  
 Toledo, Oregon



**Figure 3 - Process Flow Diagram**  
**Miscellaneous**