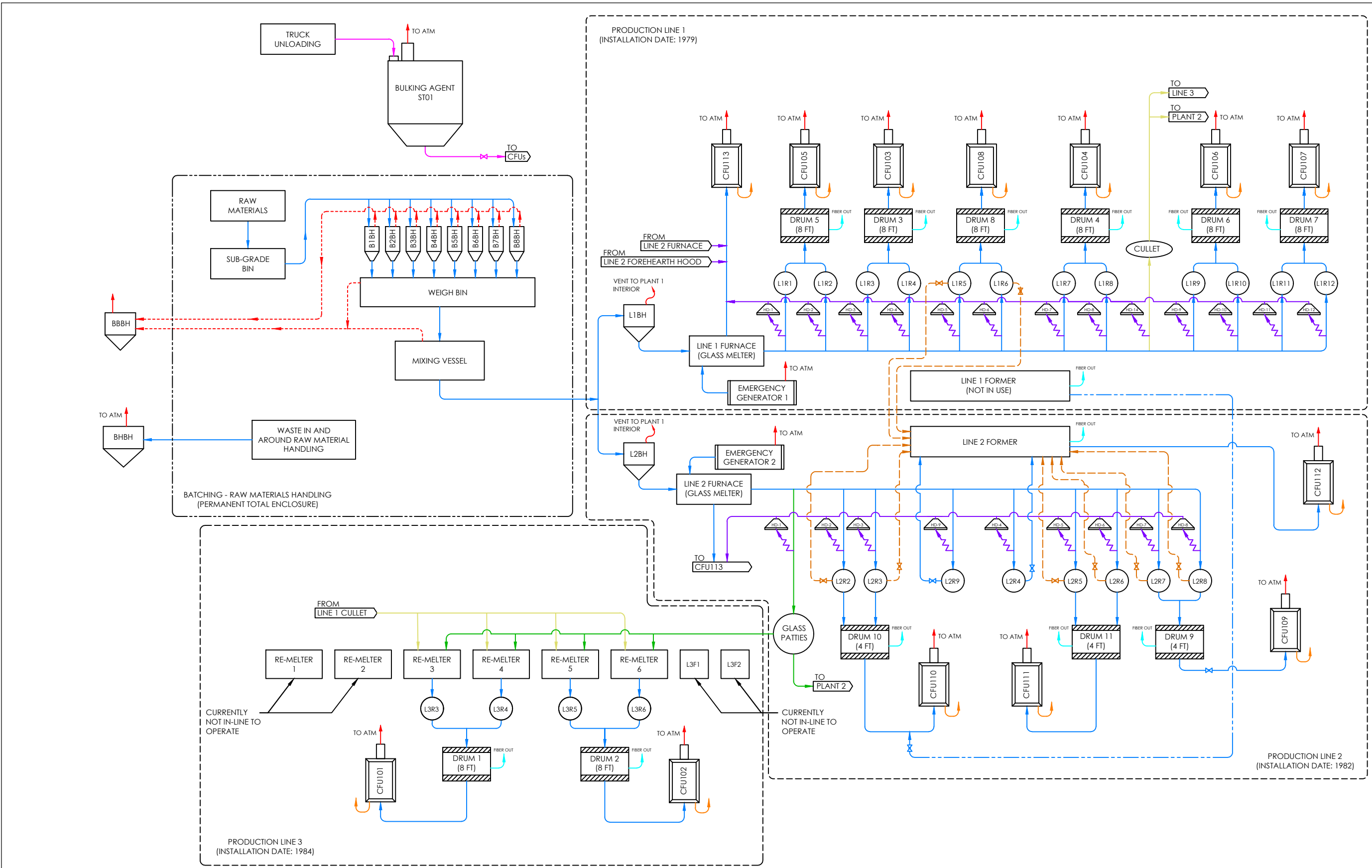


Filepath: G:\00\_MFA\_Civil\_3D\00\_PROJECTS\1421.01\_Hollingsworth and Vose\EXHIBIT\GPI\_PFD\_TV.dwg  
 Printed by: Amy DeVita-McBride

Date: 3/13/2023 2:10:32 PM



**Figure**  
**Process Flow Diagram - Glass Plant 1**  
 Hollingsworth & Vose Fiber Company  
 Corvallis, Oregon

**MAUL FOSTER ALONGI**  
 971.544.2139 (phone) | www.maulfoster.com

This figure prepared as supplemental visual information only and should not be used for construction purposes. Only plan sheets approved, stamped and signed by a registered professional engineer in the state of governing jurisdiction shall be used for construction. Additionally, only plans approved by the applicable governing jurisdiction(s) shall be used for final construction unless otherwise expressly noted in writing by the engineer of record.