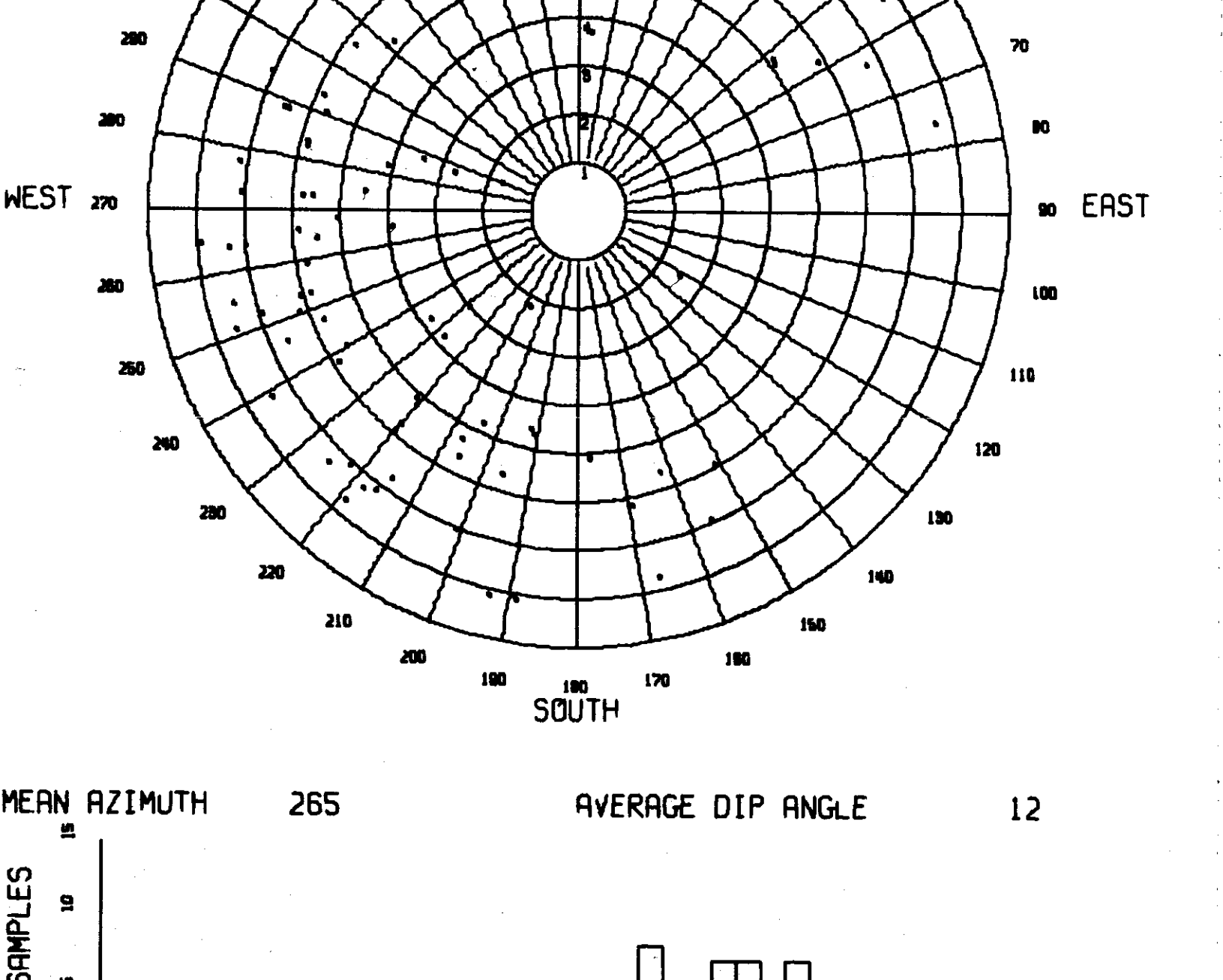


Dipmeter

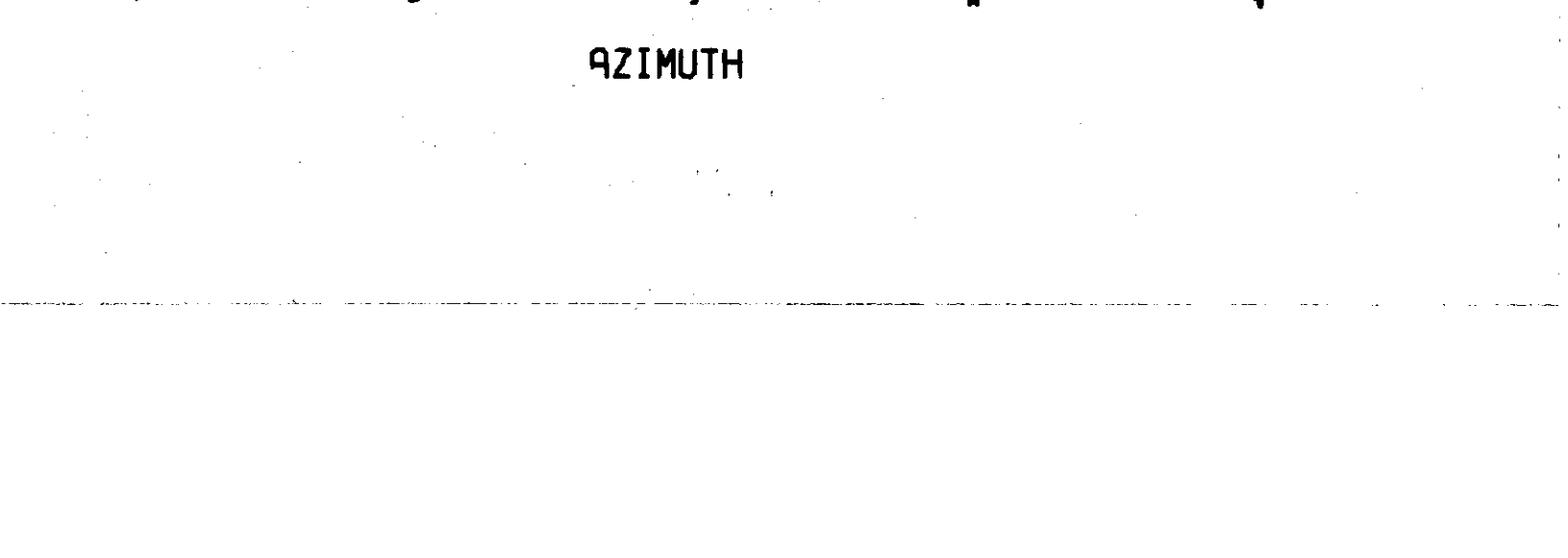
AMERICAN QUASAR LONGVIEW FIBER 25-33 COLUMBIA CTY., OREGON

DEPTHS 400 1000 NORTH

QUALITY A B C



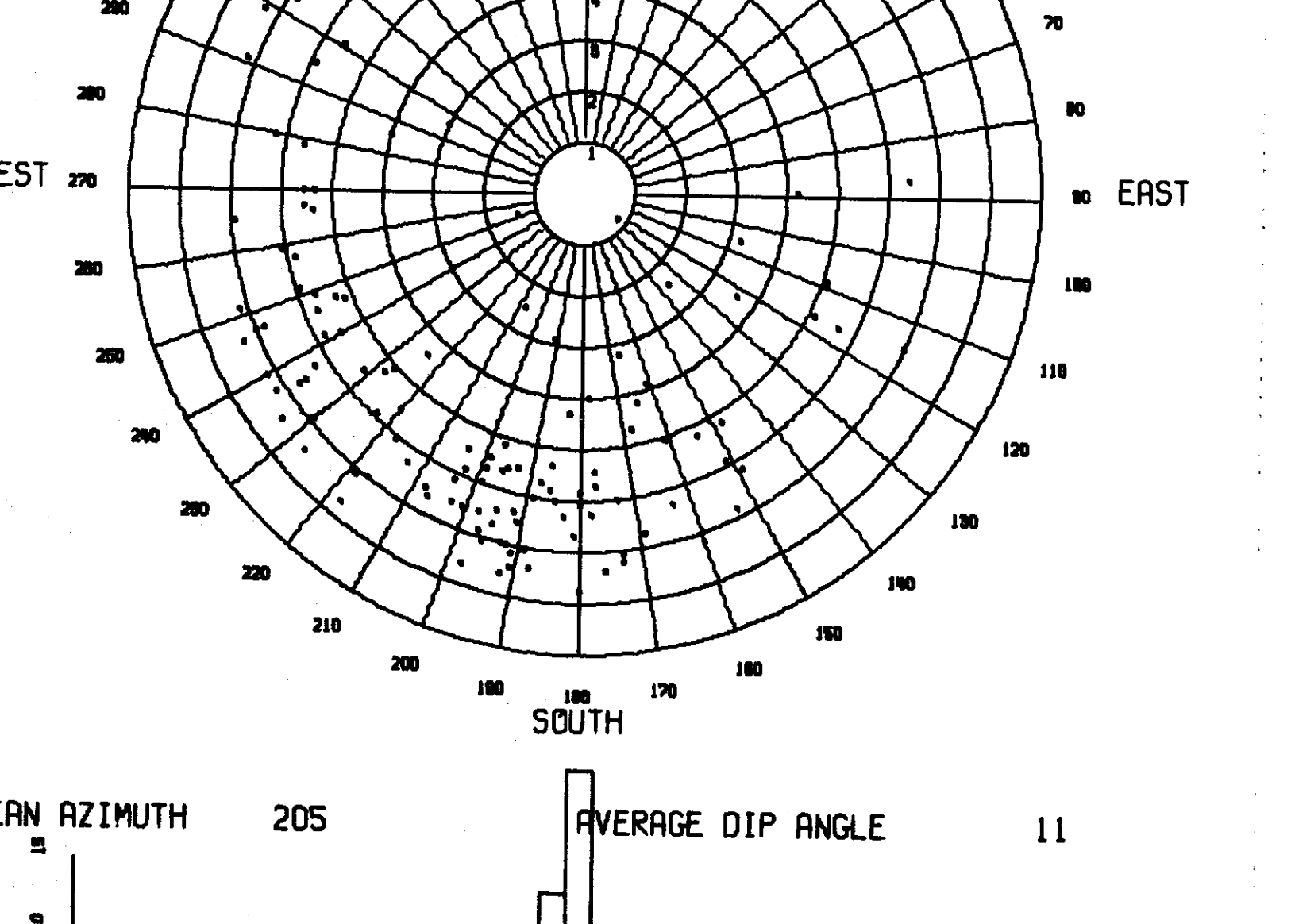
MEAN AZIMUTH 265 AVERAGE DIP ANGLE 12



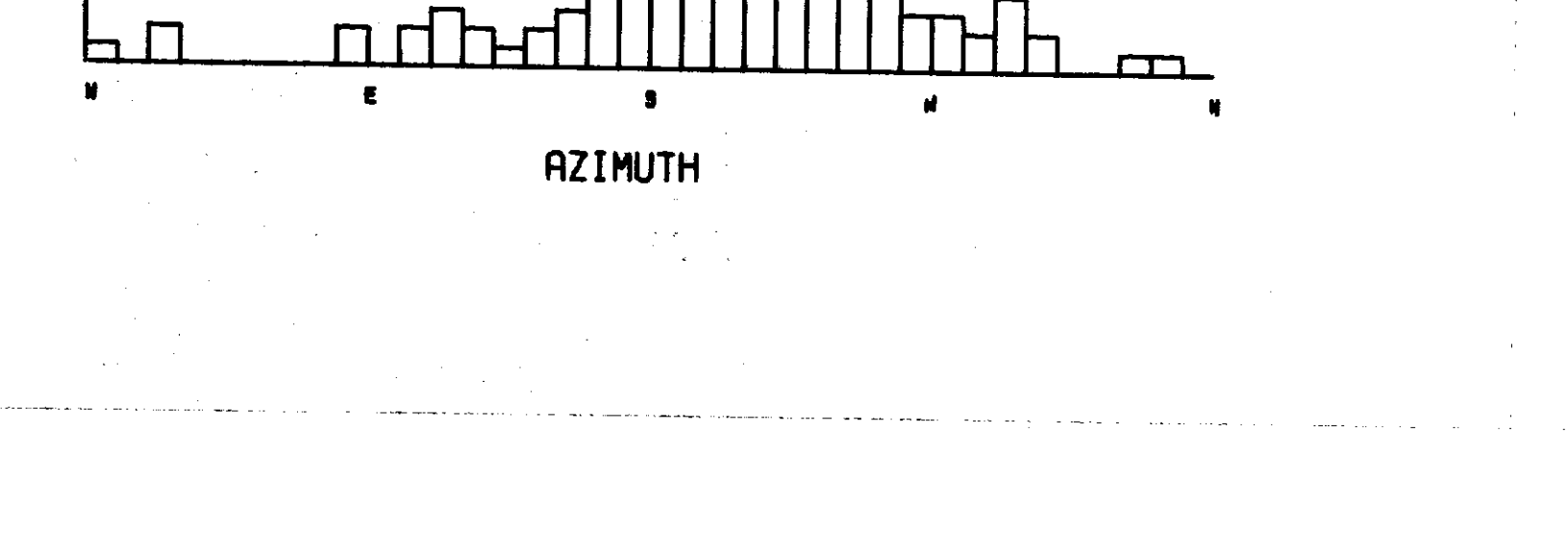
AMERICAN QUASAR LONGVIEW FIBER 25-33 COLUMBIA CTY., OREGON

DEPTHS 1000 1500 NORTH

QUALITY A B C



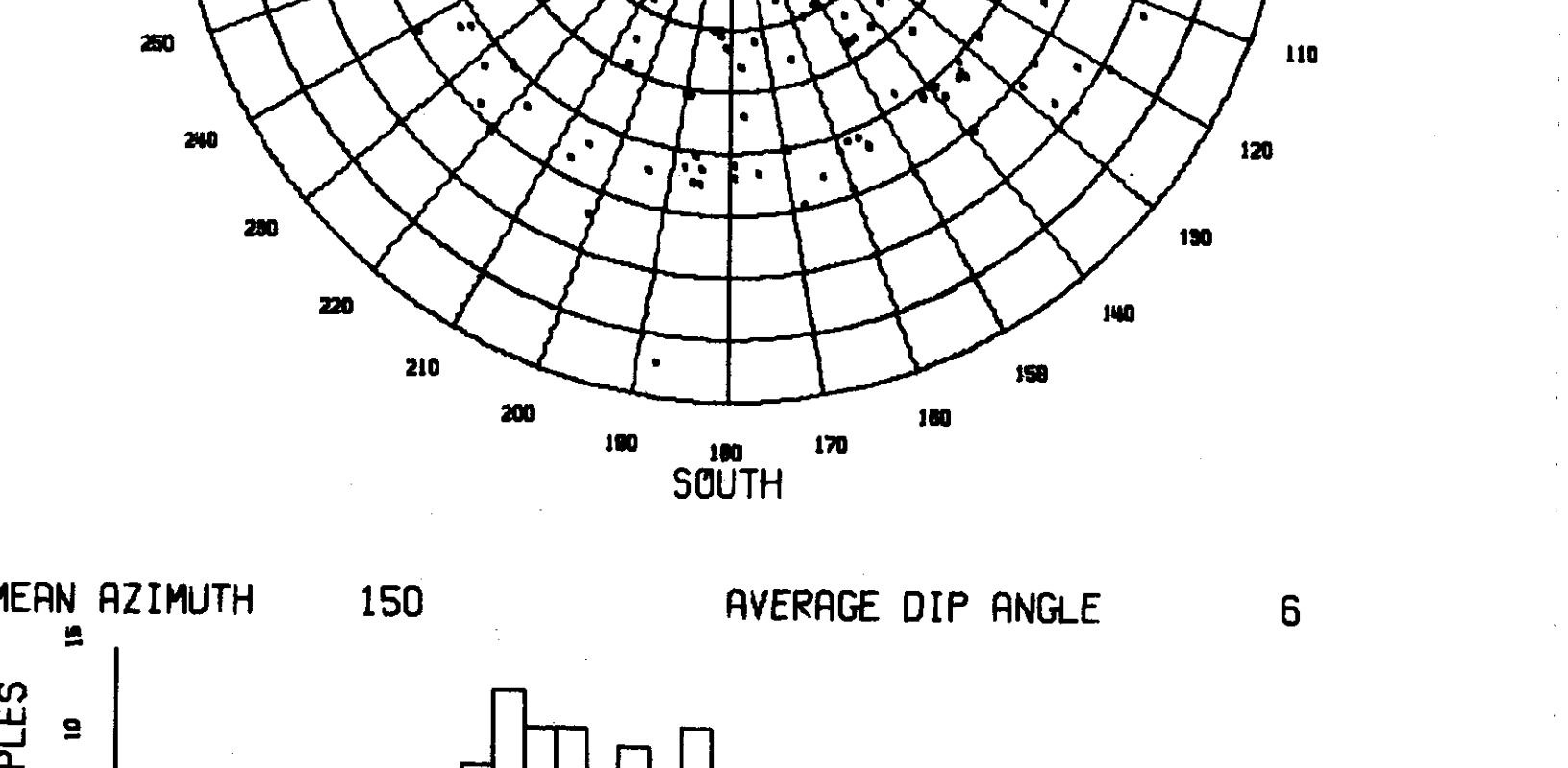
MEAN AZIMUTH 205 AVERAGE DIP ANGLE 11



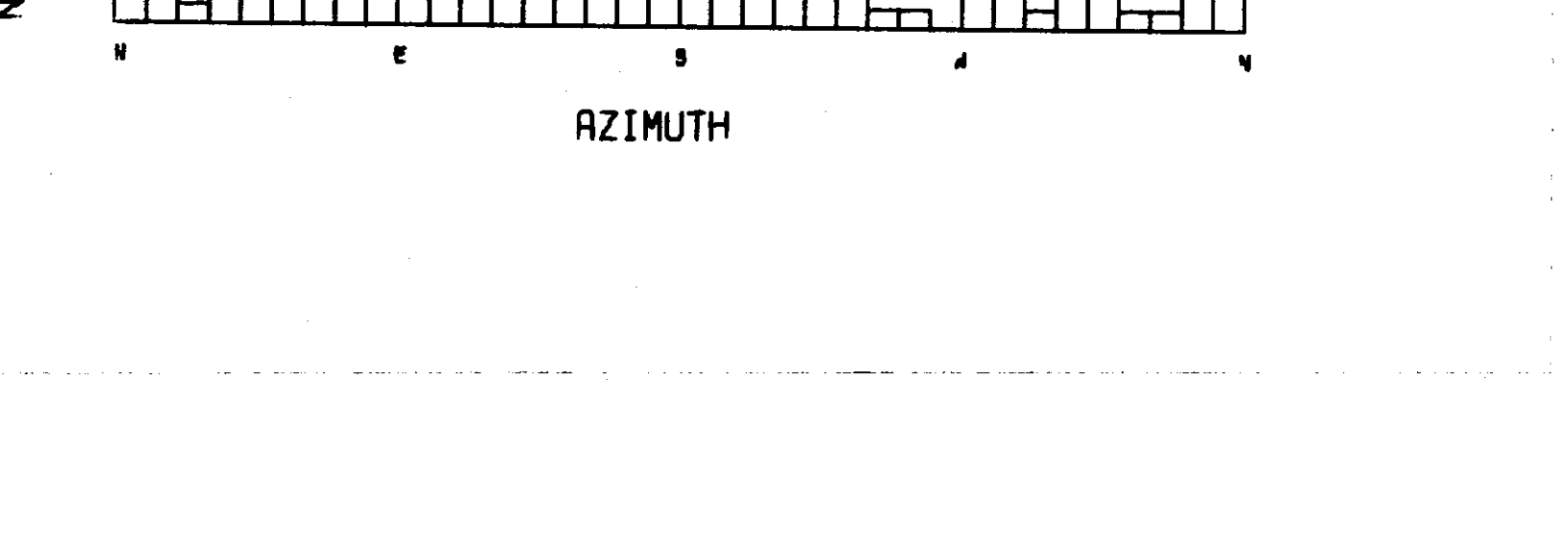
AMERICAN QUASAR LONGVIEW FIBER 25-33 COLUMBIA CTY., OREGON

DEPTHS 1500 2000 NORTH

QUALITY A B C



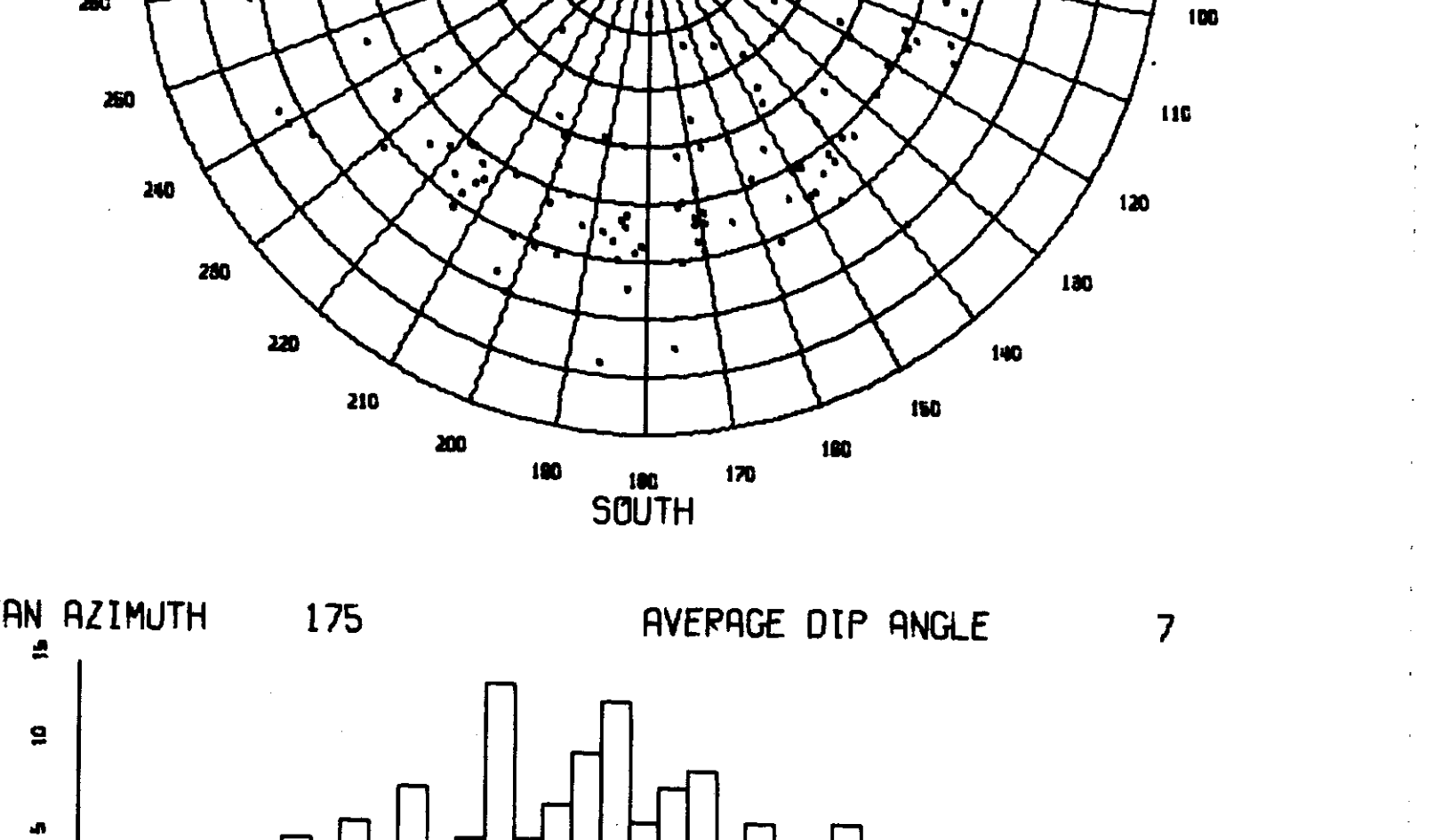
MEAN AZIMUTH 150 AVERAGE DIP ANGLE 6



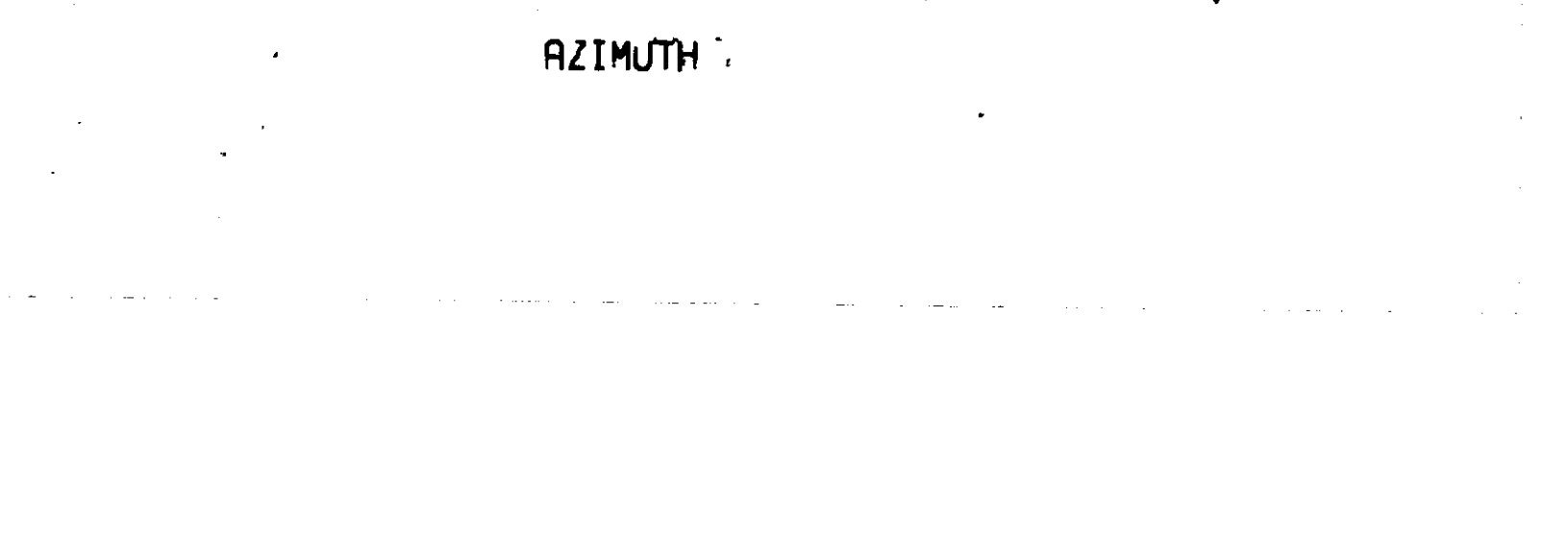
AMERICAN QUASAR LONGVIEW FIBER 25-33 COLUMBIA CTY., OREGON

DEPTHS 2000 2500 NORTH

QUALITY A B C



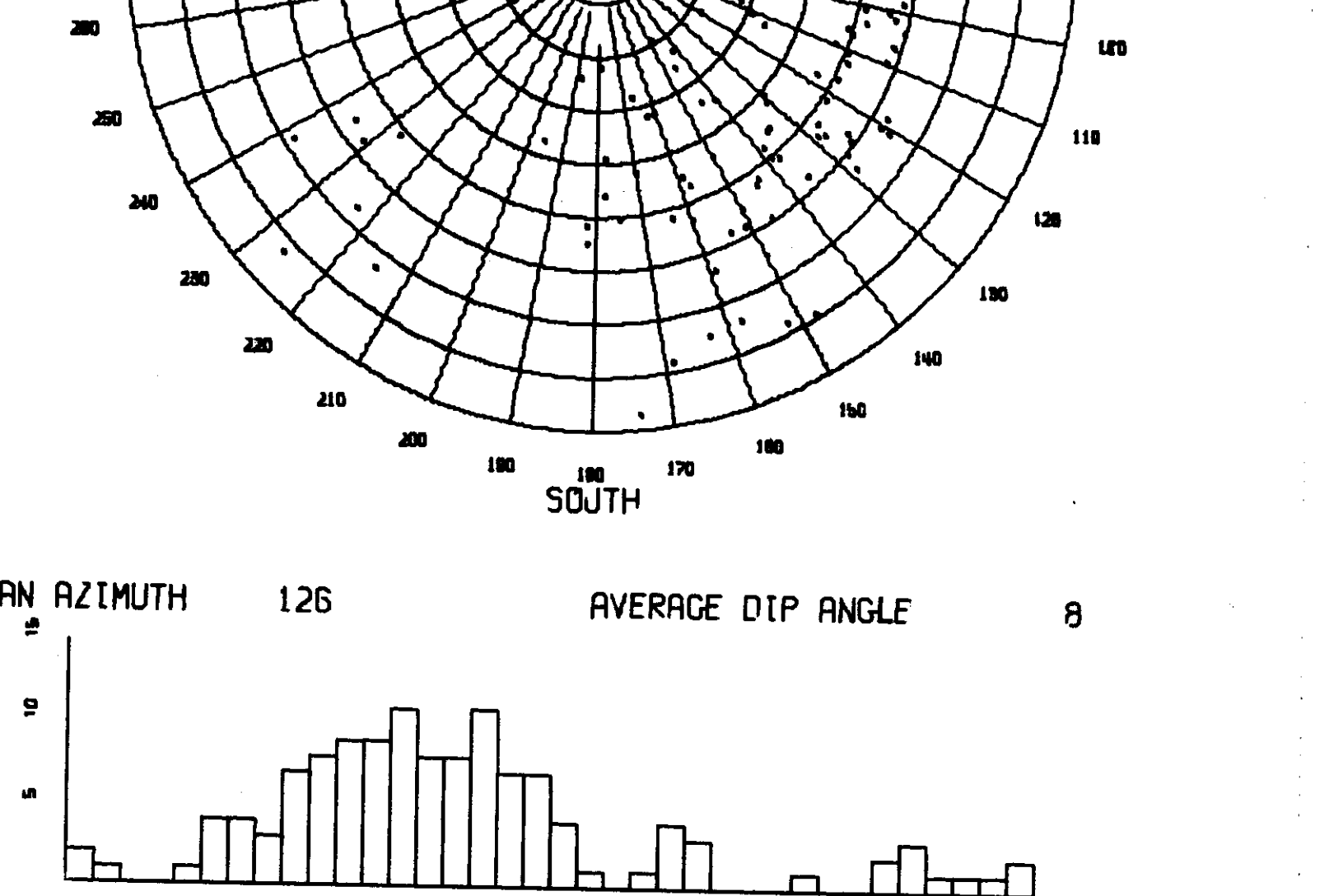
MEAN AZIMUTH 175 AVERAGE DIP ANGLE 7



AMERICAN QUASAR LONGVIEW FIBER 25-33 COLUMBIA CTY., OREGON

DEPTHS 2500 3150 NORTH

QUALITY A B C



MEAN AZIMUTH 126 AVERAGE DIP ANGLE 8

