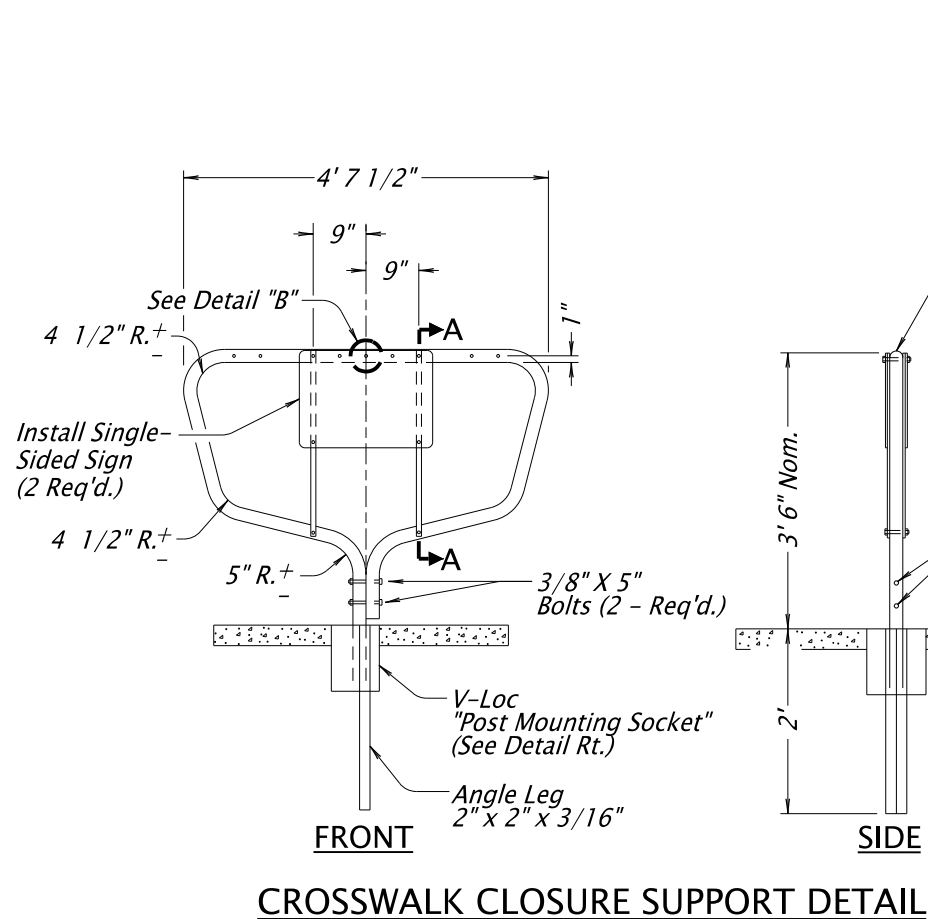
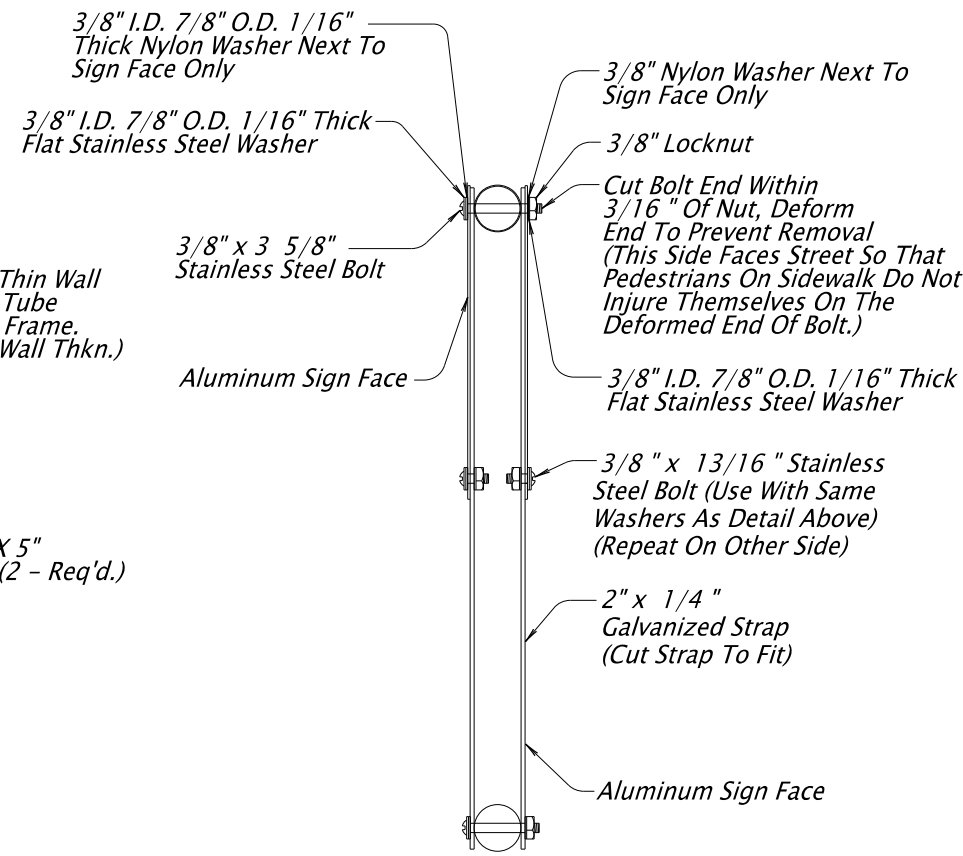


TM240.dgn 07-02-2018



CROSSWALK CLOSURE SUPPORT DETAIL

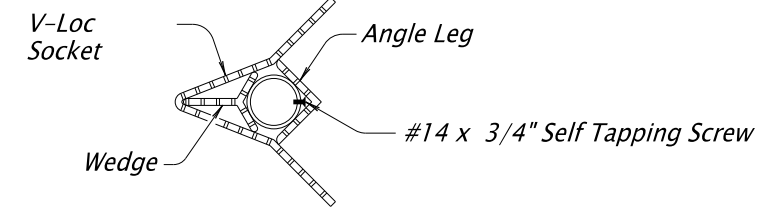


SECTION A-A



SIGN DETAIL
OR22-7
24" x 18"

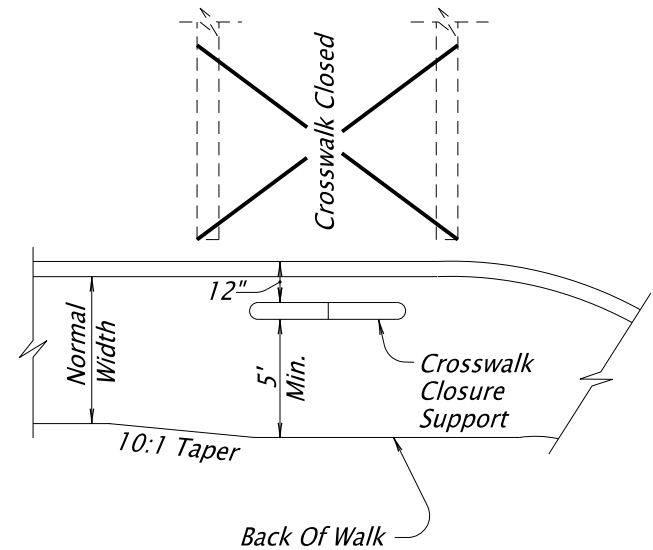
Drill 3/8" Dia. Bolt Hole At Each Corner Where Needed.



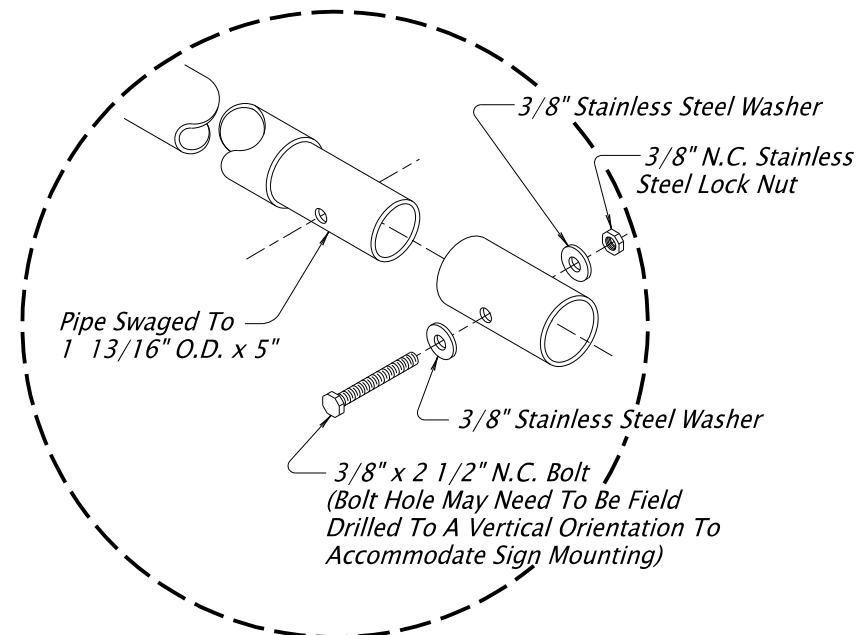
POST MOUNTING SOCKET

For Additional Details See Standard Drg. No. RD100

NOTE:
Care Shall Be Taken That No Concrete Is Placed Within Mounting Socket.



PLAN VIEW



DETAIL "B"

- GENERAL NOTES:**
1. All Holes In The Tube Support Frame To Be Predrilled By The Manufacturer. (1/32" Larger Than Mounting Bolt)
 2. Pipe Swaged By The Manufacturer.

CALC. BOOK NO. N/A	SDR DATE 7/02/2018
NOTE: All material and workmanship shall be in accordance with the current Oregon Standard Specifications	
OREGON STANDARD DRAWINGS	
CROSSWALK CLOSURE DETAIL	
2021	
DATE	REVISION DESCRIPTION

The selection and use of this Standard Drawing, while designed in accordance with generally accepted engineering principles and practices, is the sole responsibility of the user and should not be used without consulting a Registered Professional Engineer.

TM240