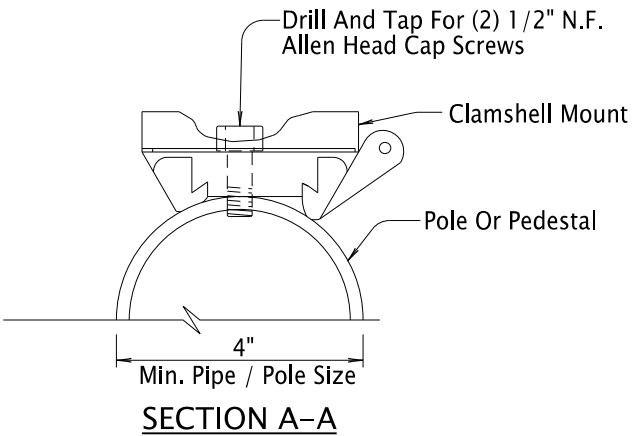
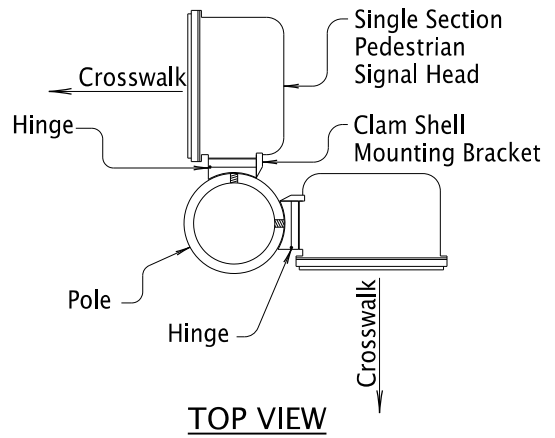


**STANDARD PUSHBUTTON STATION AND INSTRUCTION SIGN**

- General Notes:
1. All Screws, Bolts, Nuts And Washers Shall Be Type 304 Or 316 Stainless Steel Unless Noted Otherwise.
  2. Bolts And Screws Shall Have Square Or Hex Heads. Allen Head Fasteners Not Allowed.
  3. Drill And Tap Pole As Per Orientation Shown On Plans.
  4. Horizontal Reach To The Pushbutton Shall Be 10 Inches Maximum. See Plans Or Consult Engineer To Ensure Compliance.

- NOTES:
1. Where Two Heads Are Side Mounted On 4" Conduit, Proper Clearance Shall Be Maintained To Allow Legend To Be Fully Visible.
  2. Clam Shells To Be Orientated So That The Heads Can Be Opened For Maintenance. (Verify Hinge Placement Of Clamshell).



**CLAM SHELL ORIENTATION**

CALC. BOOK NO. _ N/A _	SDR REPORT DATE 2-Jul-2020
NOTE: All material and workmanship shall be in accordance with the current Oregon Standard Specifications	
<b>OREGON STANDARD DRAWINGS</b>	
<b>PEDESTRIAN SIGNAL MOUNT AND PEDESTRIAN PUSHBUTTON DETAILS</b>	
2021	
DATE	REVISION DESCRIPTION

*The selection and use of this Standard Drawing, while designed in accordance with generally accepted engineering principles and practices, is the sole responsibility of the user and should not be used without consulting a Registered Professional Engineer.*

TM467