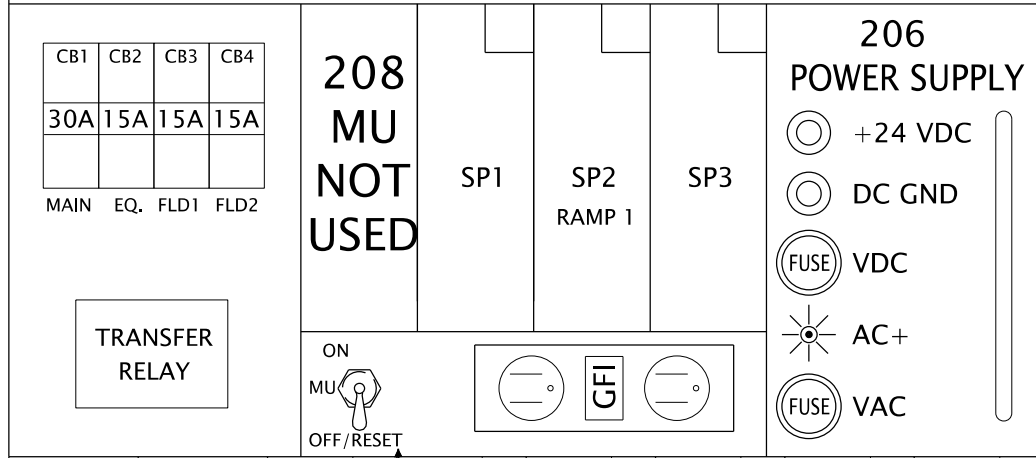


Model ATC Controller

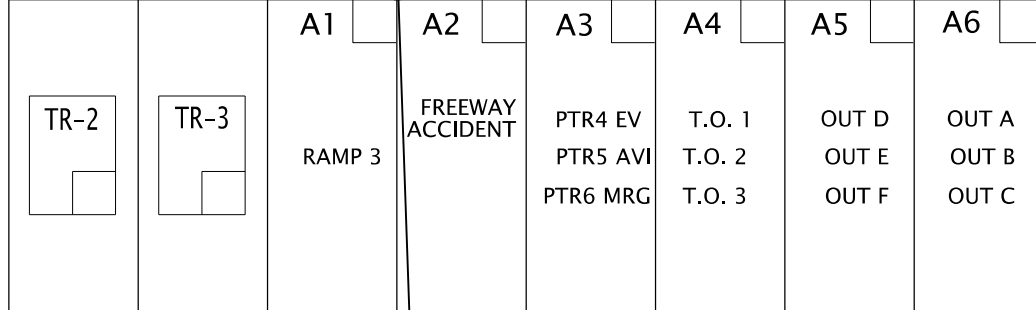
**PULL-OUT DRAWER**

1	2	3	4	5	6	7	8	9	10	11	12	13	14
HOV PASS C1-46 MT21	QUEUE 1 C1-50 MT22	R1 MERGE C1-49	PASS 1 C1-55 MT19	PASS 2 C1-51 MT20	LANE 1B C1-57 MT15	LANE 2B C1-59 MT16	LANE 3B C1-61 MT17	LANE 4B C1-81 MT18	R2 MERGE C1-79	TRANS INHIB C1-53	AVI 1 C1-41 MT32	REM 1 C1-43	EV PREEMPT C1-45
MT27 C1-39 HOV DEM	MT24 C1-47 HOV QUEUE	MT23 C1-48 QUEUE	MT25 C1-56 DEM	MT26 C1-52 DEM	MT11 C1-58 LANE	MT12 C1-60 LANE	MT13 C1-62 LANE	MT14 C1-80 LANE	C1-82	C1-54 ADD LANE	C1-40 AVI 2	C1-42 REM 2	C1-44 TRANS PREEMPT

Channel 1  
INPUT FILE  
Channel 2



POWER DISTRIBUTION ASSEMBLY #3



AUXILIARY OUTPUT FILE (TYPICAL)

**Note:**

These are the signs that have an associated type 1Y flasher. Use SP3 terminals T4-7, and T4-9.

- Ramp Metered When Flashing (R.M.W.F)
- Be Prepared To Stop (B.P.T.S)
- When Flashing (W.F.)

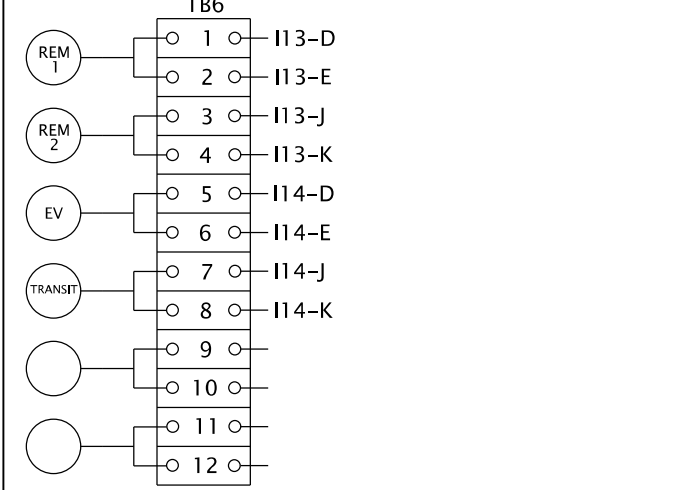
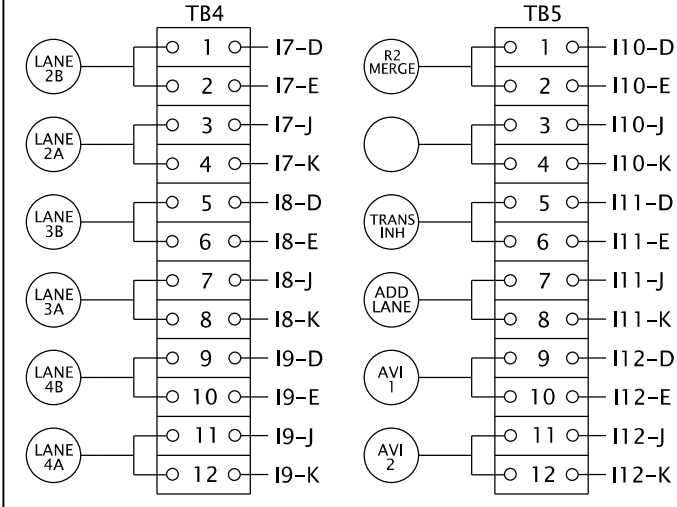
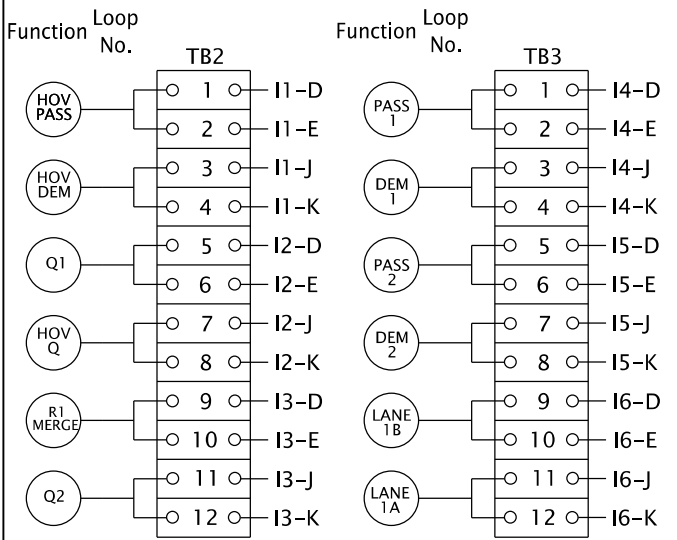
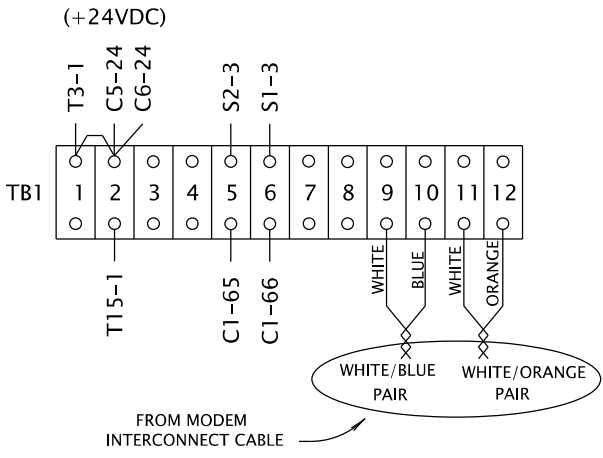
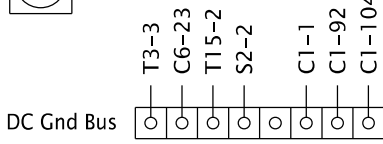
Note:  
MU Needs To Be In The Off/Reset Position For Proper Operation

REV. NO.	DATE	INITIAL	REMARKS
1	MM/YY	XXX	DRAFT

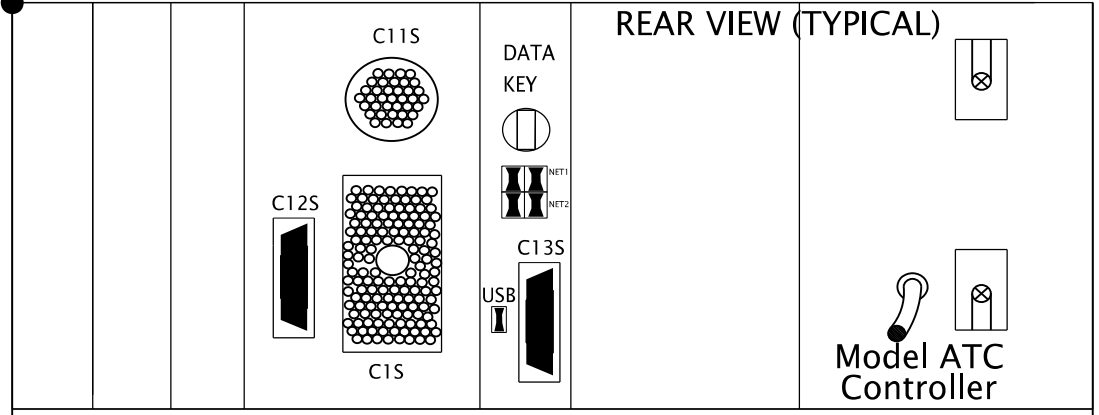
INTERSECTION: Main Street @ Cross Street  
Any Town  
HWY#: XXX M.P.#: XXXXX TSSU ID#: XXXXX

OREGON DEPARTMENT OF TRANSPORTATION  
TRAFFIC - ROADWAY SECTION  
334 CABINET WIRING DIAGRAM  
REV 8/12/21

# INPUT PANEL #3 (Side View)

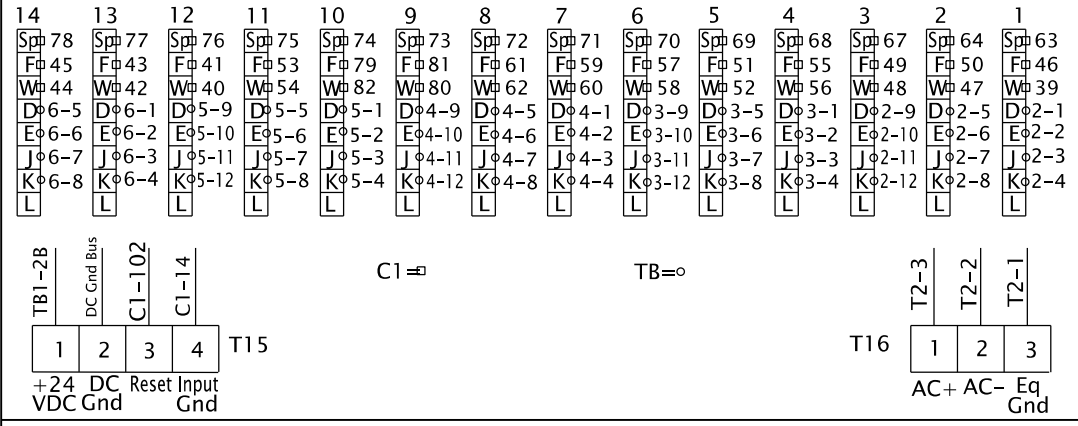


# REAR VIEW (TYPICAL)



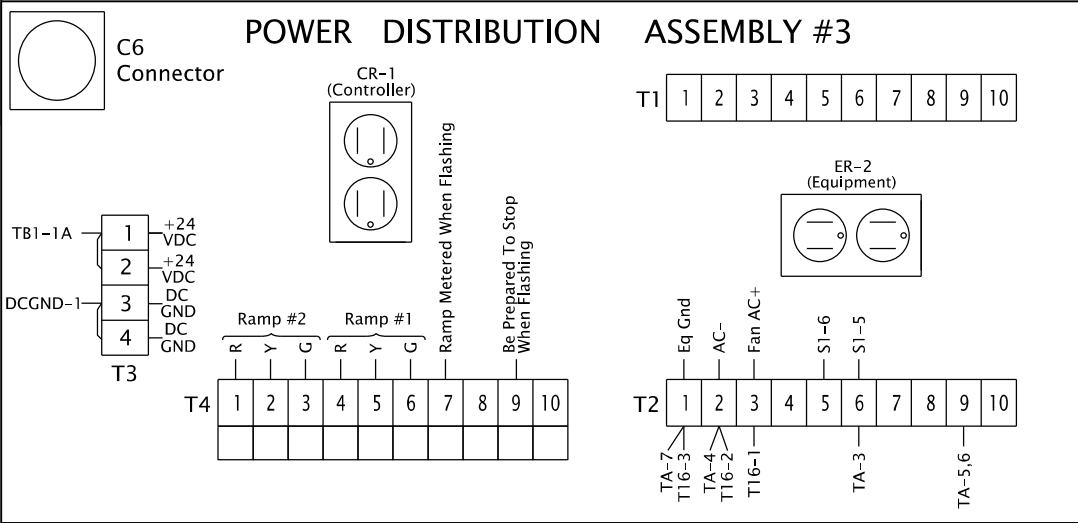
# PULL-OUT DRAWER

# INPUT FILE

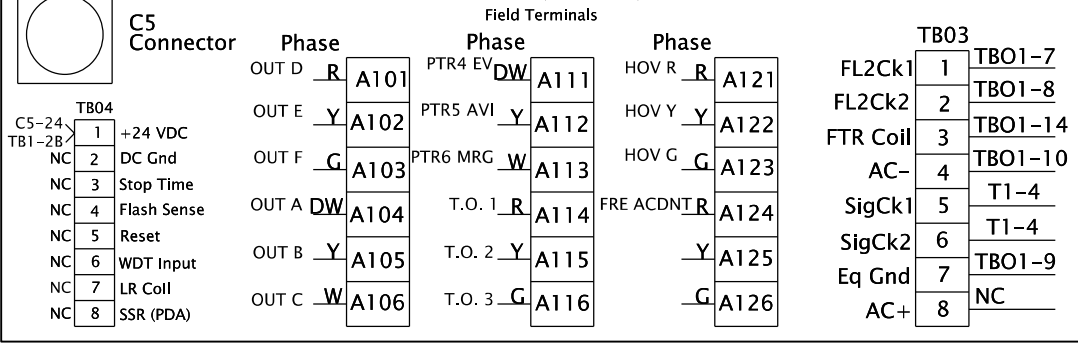


# BLANK PANEL

# POWER DISTRIBUTION ASSEMBLY #3



# OUTPUT FILE 2L (AUX FILE)



PROGRAM NUMBER W4LRM

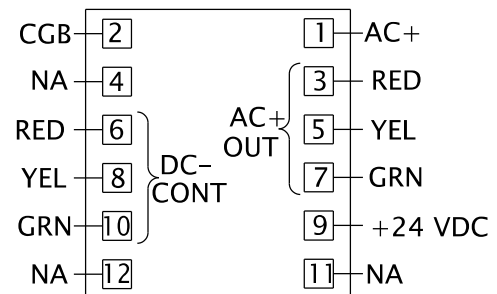
Program Assigned Functions	C1 Connector		C6 Connector				Field Term.
	Pin	Termination	Pin	Switch Pack			
				In	Position	Out	
DC Gnd	1	DC Gnd Bus	-	-	-	-	-
FL1 R.M.W.F	2	C6-1	1	6	1-R	3	T4-7
FL2 B.P.T.S/W.F.	3	C6-2	2	10	1-G	7	T4-9
RAMP 1 R	4	C6-3	3	6	2-R	3	T4-4
RAMP 1 Y	5	C6-4	4	8	2-Y	5	T4-5
RAMP 1 G	6	C6-5	5	10	2-G	7	T4-6
RAMP 2 R	7	C6-6	6	6	3-R	3	T4-1
RAMP 2 Y	8	C6-7	7	8	3-Y	5	T4-2
RAMP 2 G	9	C6-8	8	10	3-G	7	T4-3
-	10	-	-	-	-	-	-
-	↓	↓	-	-	-	-	-
DC Gnd	14	T15-4	-	-	-	-	-
-	↓	↓	-	-	-	-	-
FL3 -	37	C6-9	9	8	1-Y	5	T4-8
-	↓	↓	-	-	-	-	-
-	-	-	24	TB1-1	-	9	+24VDC

Program Assigned Functions	C1 Connector		Input File		
	Pin	Termination	Terminals		Field Terminals
			Out	In	
HOV DEM	39	IF-1W	W	J & K	TB2-3&4
AVI #2	40	IF-12W	W	J & K	TB5-11&12
AVI #1	41	IF-12F	F	D & E	TB5-9&10
REMOTE 2	42	IF-13W	W	J & K	TB6-3&4
REMOTE 1	43	IF-13F	F	D & E	TB6-1&2
TRANS PRE	44	IF-14W	W	J & K	TB6-7&8
EV PREEMPT	45	IF-14F	F	D & E	TB6-5&6
HOV PASS	46	IF-1F	F	D & E	TB2-1&2
HOV QUEUE	47	IF-2W	W	J & K	TB2-7&8
R2 QUEUE	48	IF-3W	W	J & K	TB2-11&12
R1 MERGE	49	IF-3F	F	D & E	TB2-9&10
R1 QUEUE	50	IF-2F	F	D & E	TB2-5&6
R2 PASS	51	IF-5F	F	D & E	TB3-5&6
R2 DEM	52	IF-5W	W	J & K	TB3-7&8
TRANS INH	53	IF-11F	F	D & E	TB5-5&6
ADD LANE	54	IF-11W	W	J & K	TB5-7&8
R1 PASS	55	IF-4F	F	D & E	TB3-1&2
R1 DEM	56	IF-4W	W	J & K	TB3-3&4
LANE 1B	57	IF-6F	F	D & E	TB3-9&10
LANE 1A	58	IF-6W	W	J & K	TB3-11&12
LANE 2B	59	IF-7F	F	D & E	TB4-1&2
LANE 2A	60	IF-7W	W	J & K	TB4-3&4
LANE 3B	61	IF-8F	F	D & E	TB4-5&6
LANE 3A	62	IF-8W	W	J & K	TB4-7&8
-	63	IF-1SP	-	-	-
S.F. 1	64	IF-2SP	-	-	-
S.F. 2	65	TB1-5B	-	-	-
S.F. 3	66	TB1-6B	-	-	-
T.O. 1 TRIG	67	IF-3SP	-	-	-
T.O. 2 TRIG	68	IF-4SP	-	-	-
T.O. 3 TRIG	69	IF-5SP	-	-	-
-	70	IF-6SP	-	-	-
-	71	IF-7SP	-	-	-
-	72	IF-8SP	-	-	-
-	73	IF-9SP	-	-	-
-	74	IF-10SP	-	-	-
-	75	IF-11SP	-	-	-
-	76	IF-12SP	-	-	-
EXIT A	77	IF-13SP	-	-	-
EXIT B	78	IF-14SP	-	-	-
R2 MERGE	79	IF-10F	F	D & E	TB5-1&2
LANE 4A	80	IF-9W	W	J & K	TB4-11&12
LANE 4B	81	IF-9F	F	D & E	TB4-9&10
-	82	IF-10W	W	J & K	TB5-3&4

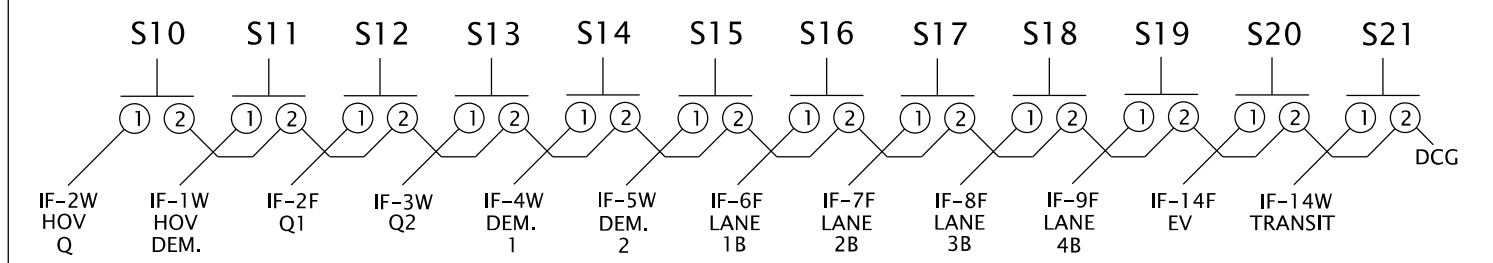
Program Assigned Functions	C1 Connector		C5 Connector				Field Term.
	Pin	Termination	Pin	Switch Pack			
				In	Position	Out	
OUTPUT A	83	C5-1	1	6	A6-DW	3	A104
OUTPUT C	84	C5-2	2	10	A6-W	7	A106
OUTPUT D	85	C5-3	3	6	A5-R	3	A101
OUTPUT E	86	C5-4	4	8	A5-Y	5	A102
OUTPUT F	87	C5-5	5	10	A5-G	7	A103
TIME OUT 1	88	C5-6	6	6	A4-R	3	A114
TIME OUT 2	89	C5-7	7	8	A4-Y	5	A115
TIME OUT 3	90	C5-8	8	10	A4-G	7	A116
PTR4 EV	91	C5-9	9	6	A3-DW	3	A111
DC Gnd	92	DC Gnd Bus	-	-	-	-	-
PTR6 MERGE	93	C5-10	10	10	A3-W	7	A113
FREE ACDNT	94	C5-11	11	6	A2-R	3	A124
-	95	C5-12	12	8	A2-Y	5	A125
-	96	C5-13	13	10	A2-G	7	A126
HOV R	97	C5-14	14	6	A1-R	3	A121
HOV Y	98	C5-15	15	8	A1-Y	5	A122
HOV G	99	C5-16	16	10	A1-G	7	A123
OUTPUT B	100	C5-17	17	8	A6-Y	5	A105
PTR5 AVI	101	C5-18	18	8	A3-Y	5	A112

-	102	T15-3	-	-	-	-	-	
Watchdog	103	C6-10	208 Monitor-Pin 5				-	-
DC Gnd	104	DC Gnd Bus	-	-	-	-	-	
-	19	-	NC	-	-	-	-	
-	20	-	NC	-	-	-	-	
-	21	-	NC	-	-	-	-	
-	22	-	NC	-	-	-	-	
-	23	-	NC	-	-	-	-	
-	24	TB1-1	All	9	+24VDC	-	-	

MODEL 200 LOAD SWITCH (TYPICAL)



DETECTOR TEST PANEL

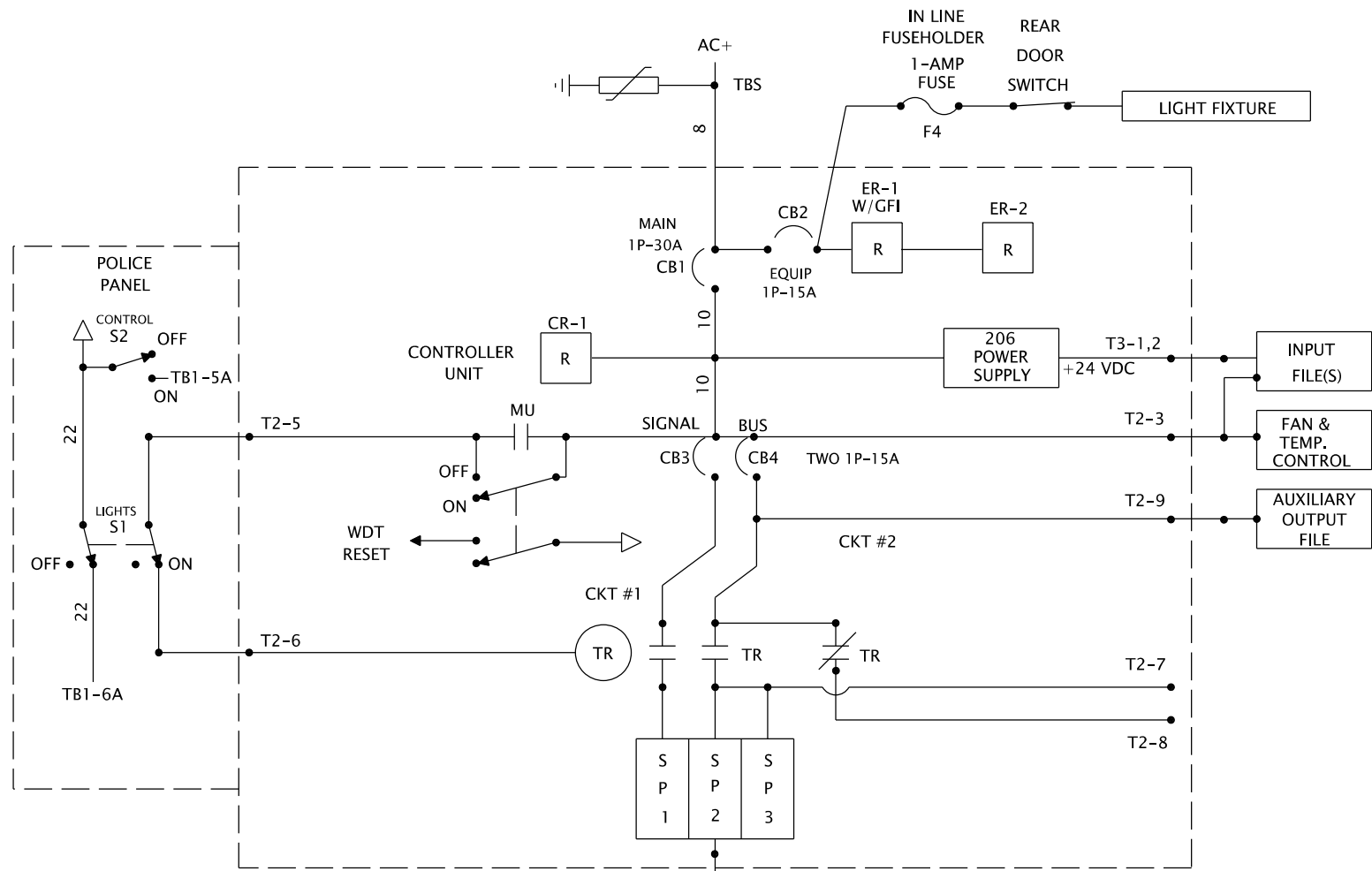


HWY#:XXX M.P.#: XXXXX TSSU ID#: XXXXX

Main Street @ Cross Street

Any Town

# ONE LINE DIAGRAM Power Distribution Assembly #3



- |       |   |      |                                |
|-------|---|------|--------------------------------|
|       | SURGE PROTECTORS                              |      | RELAY CONTACT, NORMALLY CLOSED |
| TBS   | TERMINAL BLOCK-SERVICE                        |      | RELAY CONTACT, NORMALLY OPEN   |
|       | EQUIPMENT GROUND                              |      | RELAY COIL-* RELAY NAME        |
| PDA   | POWER DISTRIBUTION ASSEMBLY                   |      | DC GROUND                      |
|       | WIRE SIZE, IF NOT INDICATED SHALL BE # 14 AWG | WDT  | WATCHDOG TIMER                 |
|       | CIRCUIT BREAKER                               | CB-1 | SIGNAL CIRCUIT BREAKER 1       |
|       | DUPLEX RECEPTACLE                             | TR   | TRANSFER RELAY                 |
| W/GFI | WITH GROUND FAULT INTERRUPTER                 |      |                                |

## INPUT FILE - TYPICAL WIRING DETAILS

Slot 1 thru Slot 14  
(FRONT VIEW)

