

**Chapter 9**

**Contents**

**9 Details Plan ..... 9-1**

9.1 General..... 9-1

9.2 Pole Entrance Chart - General..... 9-1

    9.2.1 When is a Pole Entrance Chart Needed? ..... 9-1

    9.2.2 Detailing Existing Signal Poles/Pedestals on the Pole Entrance Chart..... 9-2

9.3 Pole Entrance Chart – Mast Arm ..... 9-3

    9.3.1 First 3 Columns..... 9-3

    9.3.2 Equipment on the Pole ..... 9-4

    9.3.3 Equipment on the Mast Arm ..... 9-13

    9.3.4 Foundation Information..... 9-14

    9.3.5 Luminaires ..... 9-15

    9.3.6 Orientation Diagrams ..... 9-16

    9.3.7 Detailing Dual Mast Arm Pole in the Pole Entrance Chart..... 9-17

9.4 Pole Entrance Chart – Temporary Strain Pole ..... 9-20

    9.4.1 First 4 Columns..... 9-20

    9.4.2 Messenger Cable Attachment Height (MAH)..... 9-21

    9.4.3 Equipment on Pole..... 9-24

    9.4.4 Equipment on Span Wire ..... 9-26

    9.4.5 Foundation Information..... 9-27

    9.4.6 Luminaires ..... 9-27

    9.4.7 Orientation Diagrams ..... 9-27

9.5 Custom Details Created from Standard Details ..... 9-28

    9.5.1 ITS Equipment ..... 9-28

    9.5.2 Stand-Alone Luminaire Pole: Light Table ..... 9-30

## 9 Details Plan

### 9.1 General

The details plan sheet is used to show any design information that cannot be shown on the standard designated plan sheets. This is typically due to a drafting space issue; for example, the pole entrance chart is contained on a separate details plan sheet because there is not enough room on the signal plan sheet to show all the pertinent signal design information. Other common design information shown on detail sheets includes customized diagrams created from standard details.

This chapter will cover the two basic types of information routinely contained on the details plan sheet; the pole entrance chart and custom details created from standard details.

### 9.2 Pole Entrance Chart - General

The pole entrance chart lists the micro details related to the signal pole and all mounted signal equipment. Some of the information listed in the pole entrance chart is redundant (e.g., the mast arm length is listed on the signal plans AND in the pole entrance chart), but this chart aids in reviewing signal pole submittals and also serves as a quick glance summary for how many and what type of poles are needed for the project.

There are two default types of pole entrance charts; one for mast arms (see section 9.3) and one for temporary span wires (see section 9.4).

#### 9.2.1 When is a Pole Entrance Chart Needed?

A pole entrance chart is required for any work that involves installing a new pedestal or signal pole. If the project involves a combination of mast arms and temporary span wires, both charts will need to be included.

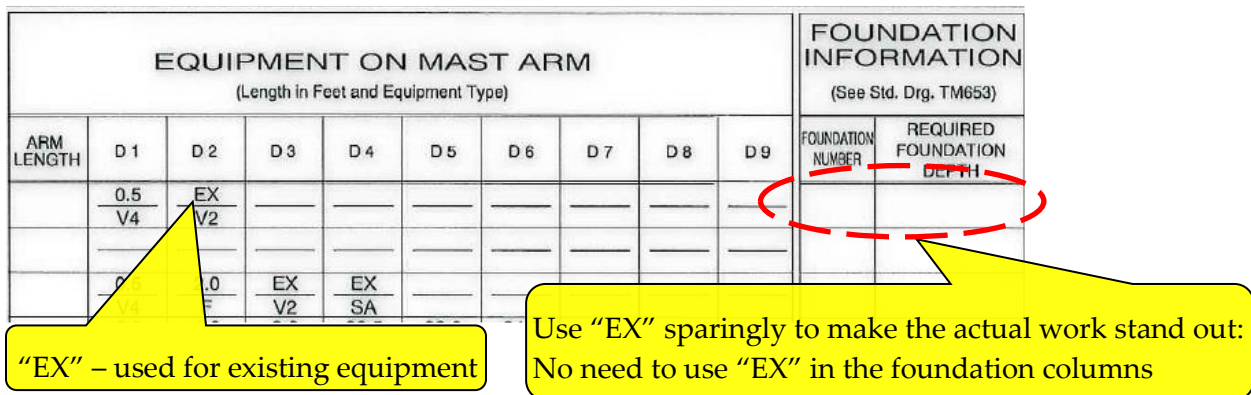
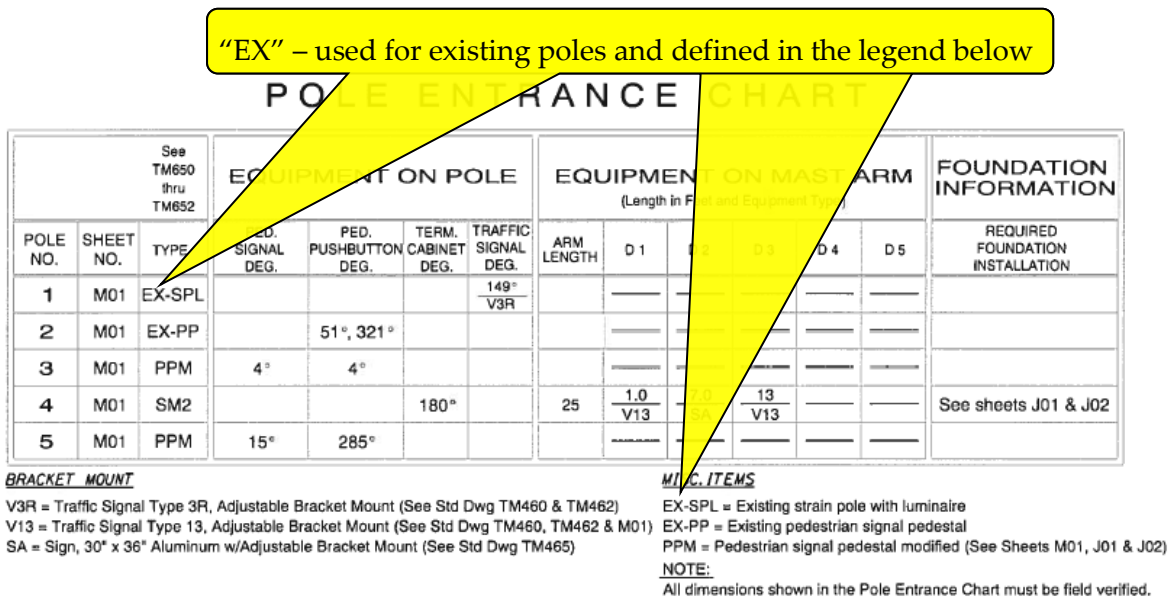
A pole entrance chart is recommended for any work that modifies the equipment located on an existing mast arm, span wire, or signal pole. The exception to this recommendation is for minor modifications where all the necessary information (contained in the pole entrance chart) can be very clearly shown on the signal plan sheet. For example:

- If the scope of work is only replacing existing pushbuttons on existing poles/pedestals in the same mounting orientation, a custom note on the signal plans would be adequate. If the mounting orientation is different, the new mounting degree could be shown on the signal plan sheet rather than in a separate pole entrance chart.
- If the scope of work was just adding a new signal head to an existing mast arm, the mounting distance can be shown on the signal plan sheet measured from the nearest piece of existing equipment rather than in a separate pole entrance chart.

## 9.2.2 Detailing Existing Signal Poles/Pedestals on the Pole Entrance Chart

The project scope may require a mix of new and existing signal poles/pedestals. Existing poles/pedestals shall be numbered if there is work on them (e.g., replacing signal heads or pedestrian pushbuttons). "EX" should be used to define the existing pole type. When there is work being done on the pole/pedestal, use EX as necessary for equipment (but sparingly to make the actual work stand out) to denote the existing features that are to be retained and protected. If no work is being done at the pole/pedestal AND it has been numbered, all other columns in the pole entrance chart should be blank. See Figure 9-1 for examples.

Figure 9-1 | Existing Poles/Pedestals in the Pole Entrance Chart




## 9.3 Pole Entrance Chart – Mast Arm

The following section discusses how to fill out the mast arm pole entrance chart properly. If any of the columns do not apply to the pole that is being detailed, leave those columns blank.

### 9.3.1 First 3 Columns

The first 3 columns list the basic pole identifiers: the unique pole number, the signal plan sheet the pole is located on, and the type of pole it is (signal pole type as per standard drawing TM650 or pedestal type as per standard drawing TM457). See Figure 9-2.

Figure 9-2 | Basic Pole Information



POLE NO.	DWG. NO.	TYPE
1	12345	SM-5
2	12345	PP-2
3	12345	VP
4	12345	PP-1

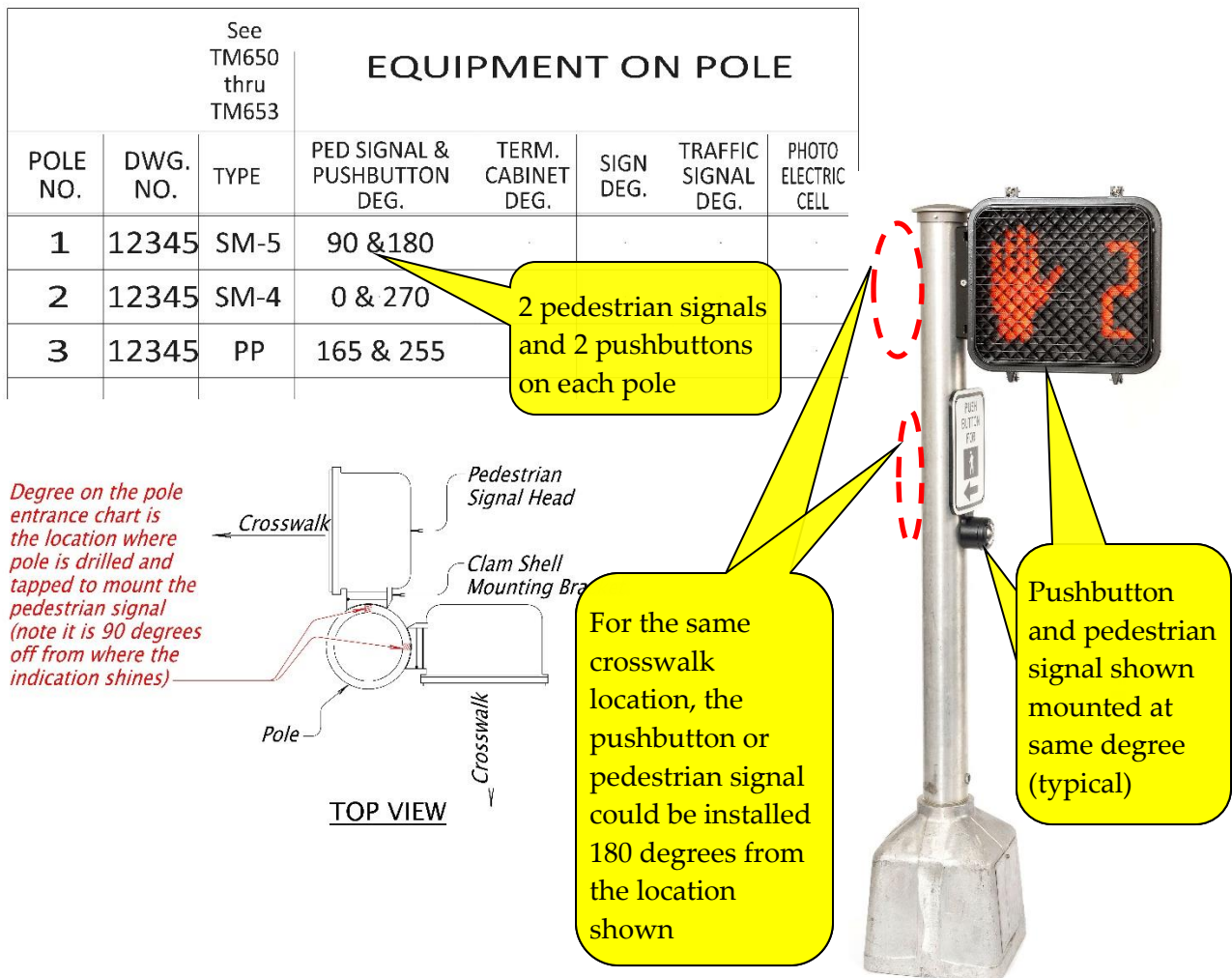
See TM650 thru TM653

### 9.3.2 Equipment on the Pole

The next five columns detail all the equipment that is mounted on the vertical pole. All equipment that is mounted on the vertical pole is measured by degrees to ensure the correct orientation of the equipment. The degrees are shown to the nearest 5-degree increment.

The pedestrian signal and pushbutton degrees column shows the location of the where the pole is drilled and tapped to attach the mount for the pedestrian signal (which is 90 degrees from the face of the signal indication) and the mount for the pushbutton. The pushbutton degrees are also included in this column as the pushbutton mount is typically at the same orientation as the pedestrian signal mount. In the case where the pushbutton needs to be at a different orientation than the pedestrian signal indication (180-degree difference), add a column to separate the two pieces of equipment. If more than one pedestrian signal indication/pushbutton is mounted to a pole an “&” symbol is used between the two locations. See Figure 9-3.

Figure 9-3 | Pedestrian Signal Degrees



For a mast arm pole, the degrees are measured clockwise from the centerline of the mast arm. Pedestrian signals should be mounted at or near 90 degrees and 180 degrees on a mast arm pole (located on the “back-side” of the mast arm pole). See Figure 9-4. They may be mounted on the “front side” of the mast arm pole (at or near 0 degrees and 270 degrees) if that location provides a better line of sight within the crosswalk, but keep in mind that pedestrian indications located on the front side of the pole are more vulnerable to being damaged by large trucks making a right turn at the intersection. See Figure 9-5. Note that the degrees for mast arm poles are measured differently than degrees for pedestals; pedestal degrees are measured from the north arrow. See Figure 9-6.

Figure 9-4 | Pedestrian Signal Degrees – Pole 1 Example

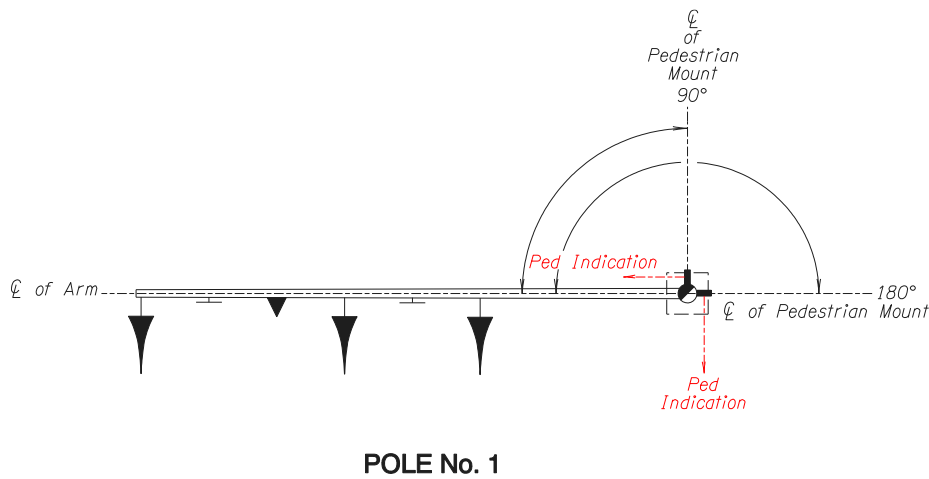


Figure 9-5 | Pedestrian Signal Degrees – Pole 2 Example

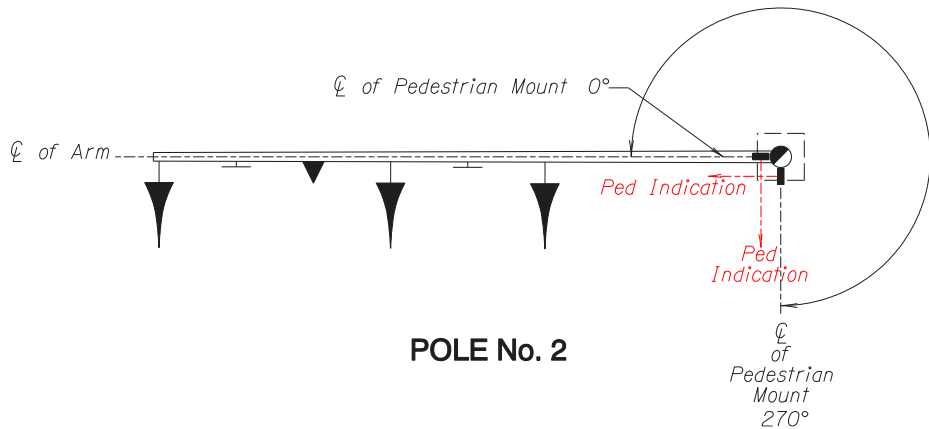
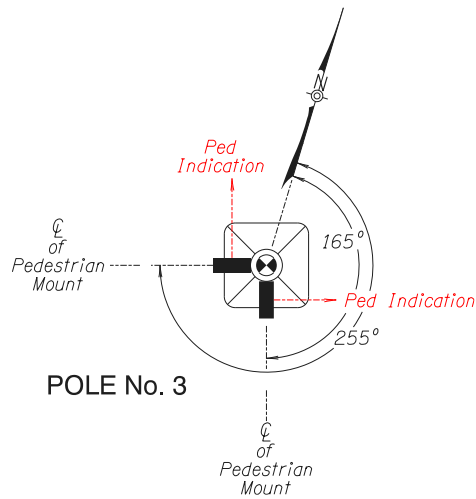


Figure 9-6 | Pedestrian Signal Degrees – Pole 3 Example

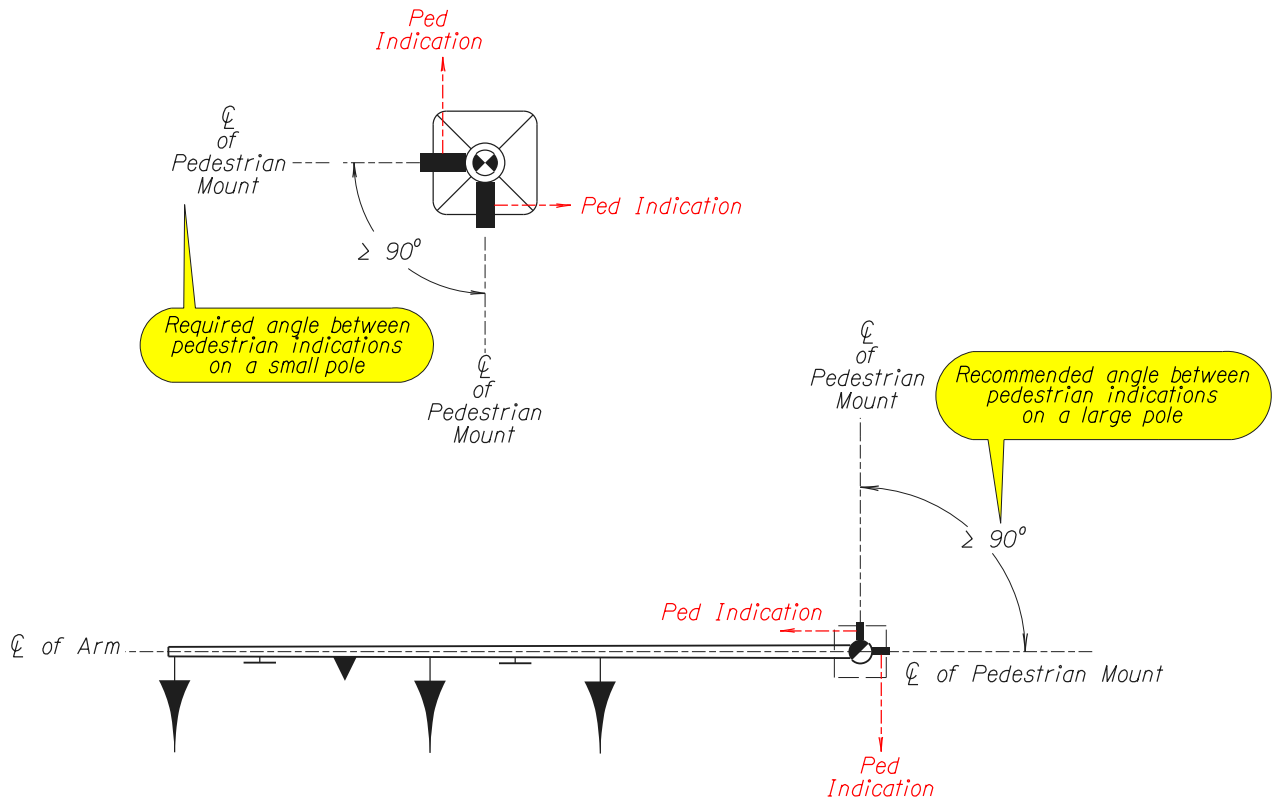


The origin for measuring degrees is NOT the same for mast arm poles (clockwise from the arm) and pedestals (clockwise from the north arrow).

When two pedestrian indications are mounted to the same pole, the acute angle between the two pedestrian heads should be 90 degrees or greater on a large diameter pole (mast arm pole and temporary wood pole) and shall be 90 degrees or greater on a small diameter pole (pedestal). See Figure 9-7. When the indications are placed closer than 90 degrees several things may occur:

- The indications can be occluded
- The clamshell mounting brackets cannot be installed (the hardware for each indication would overlap)
- It may be difficult to fully open the clamshell and/or the pedestrian indication for maintenance

Figure 9-7 | Pedestrian Signal Degrees – Angle Between Two Pedestrian Indications





The terminal cabinet degrees shows the location where the pole manufacture needs to install the recessed terminal cabinet. See standard drawings in TM400 series and TM600 series for additional details. See Figure 9-8. Pedestals do NOT have a terminal cabinet. For most arm poles, the terminal cabinet degrees should be located at 180 degrees unless there is some obstruction which would make accessing the terminal cabinet difficult at 180 degrees. See Figure 9-9. The region electrical crew will provide direction on the best location to mount the terminal cabinet in these situations. See Figure 9-10 for examples of some solutions to make the terminal cabinet accessible.

Figure 9-8 | Terminal Cabinet Degrees

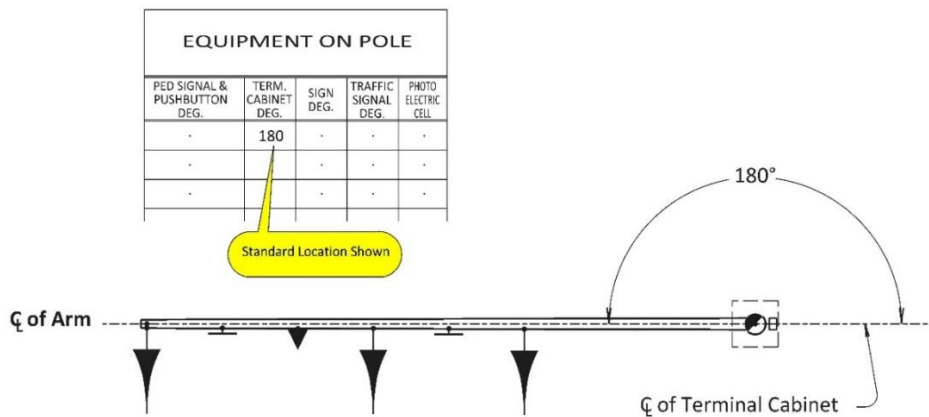


Figure 9-9 | Terminal Cabinet Degrees: Access Obstruction Examples

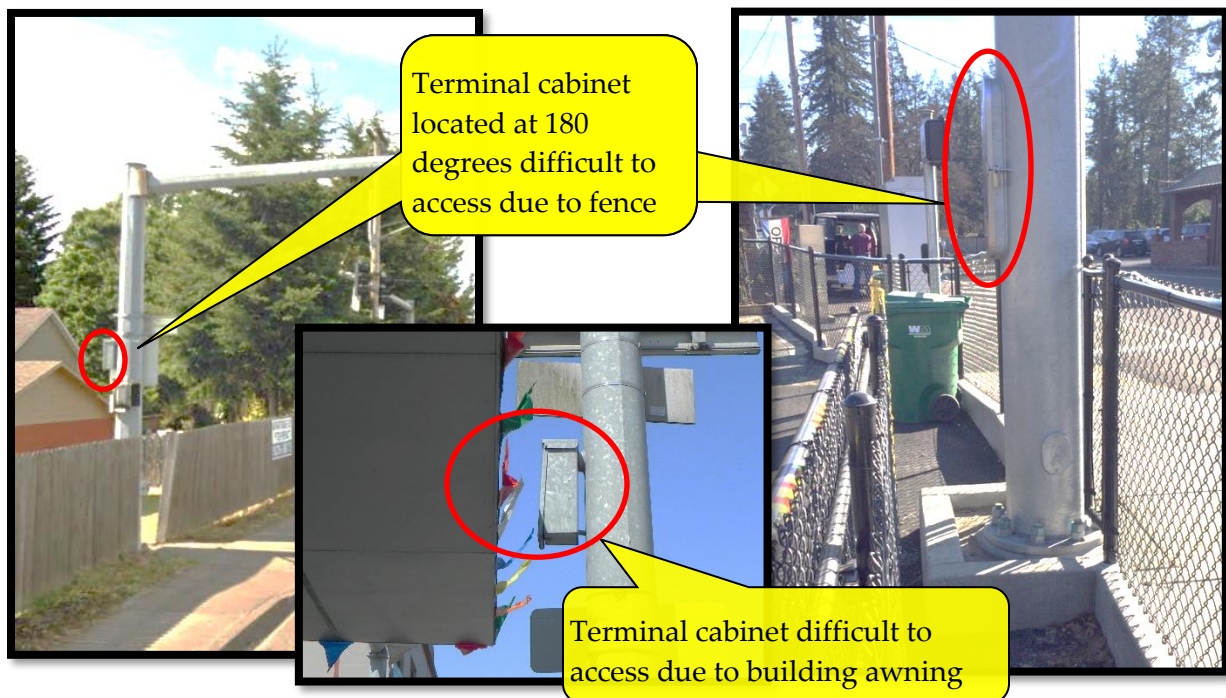
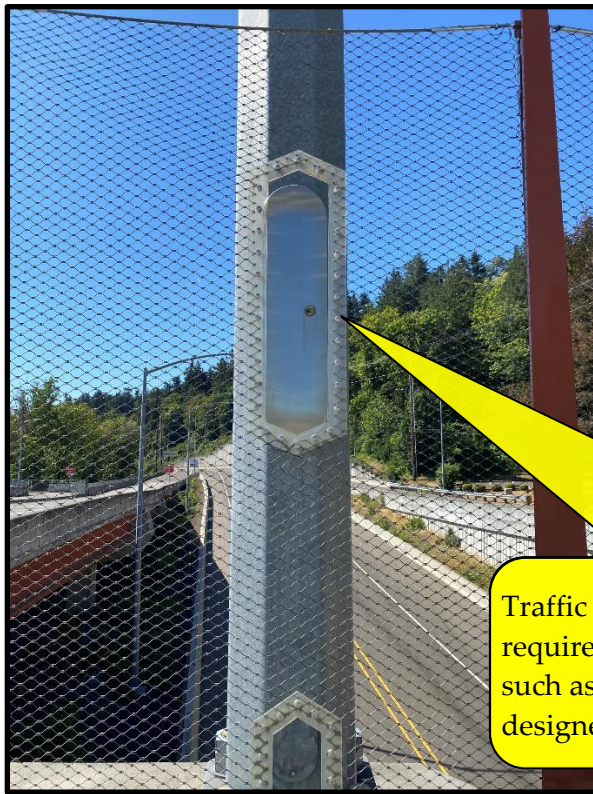
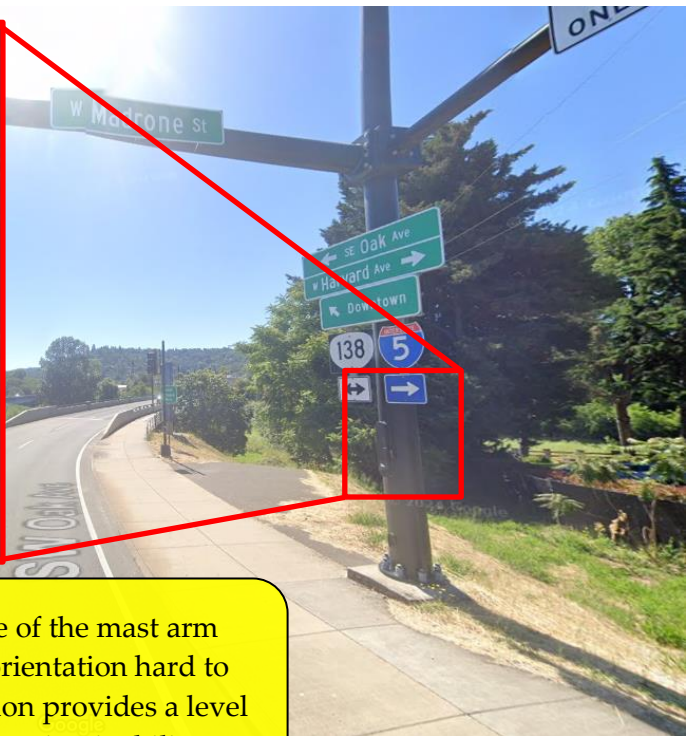


Figure 9-10 | Terminal Cabinet Degrees: Examples of Solutions to Access Issues



Traffic signal mast arm pole located on bridge structures often require specific or custom solutions to address access issues, such as this custom fence feature. Coordinate with the bridge designer and electrical crew for site specific solutions.

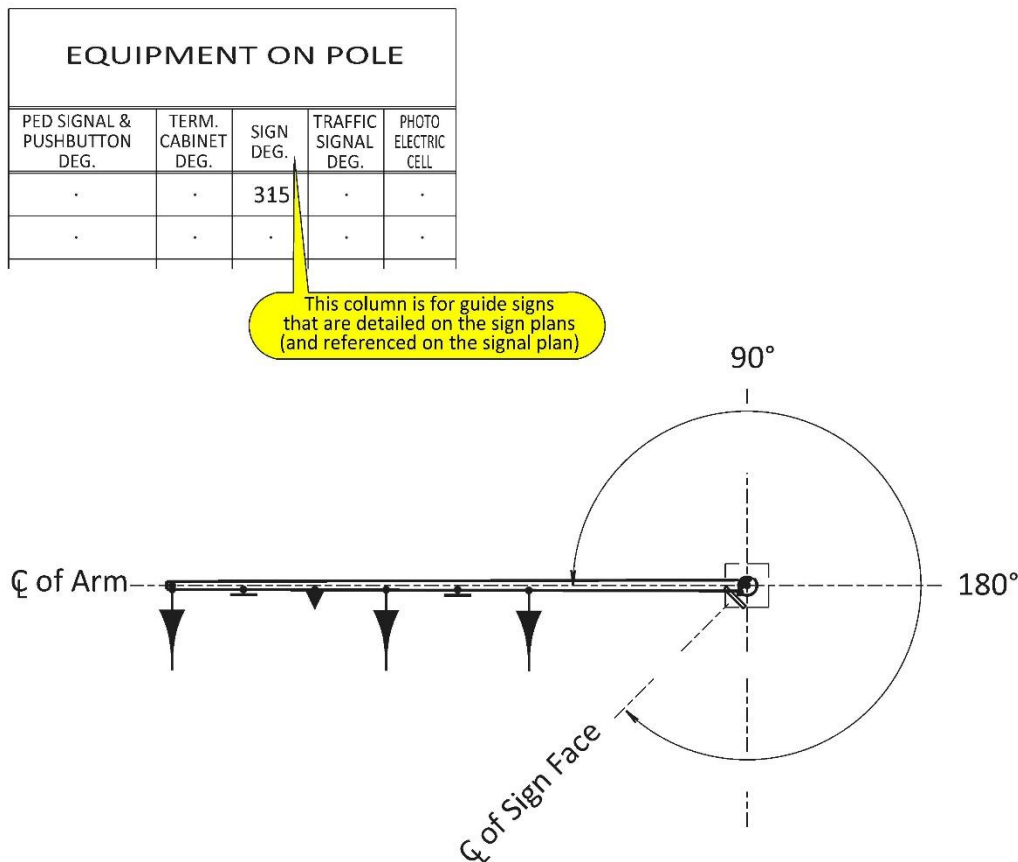


The grade drops off steeply on backside of the mast arm pole, making the standard 180 degree orientation hard to access. Changing to a 0 degree orientation provides a level working area and greatly improves the maintainability.

The sign degree column shows the location of the face of the sign mounted on the signal pole, typically a guide sign. See Figure 9-11. The other details for the guide sign fabrication and mounting will be shown on the signing plans and will be paid for as a sign bid item (not under the lump sum traffic signal bid item). Guide signs mounted to signal poles must meet the requirements shown in standard drawings TM650 and TM680 (such as a maximum area of 60 square feet, maximum height of 7 feet and maximum width of 12 feet). If at all possible, the guide sign should be designed to fit within these parameters. If the sign cannot be meet these requirements and cannot be mounted in a different location, then a standard signal pole cannot be used and a custom designed pole must be used.

If a sign other than a guide sign is mounted to the pole (e.g., a NO TURN ON RED sign), this column is used to detail the orientation. In the case where multiple signs are mounted to the same pole (e.g., guide sign AND a regulatory sign) it is recommended to add a column to the “equipment on pole” to distinguish between the two signs. See Figure 9-15. Multiple signs on the same pole must be evaluated to ensure that a standard pole will accommodate the loading as per TM660 and TM680.

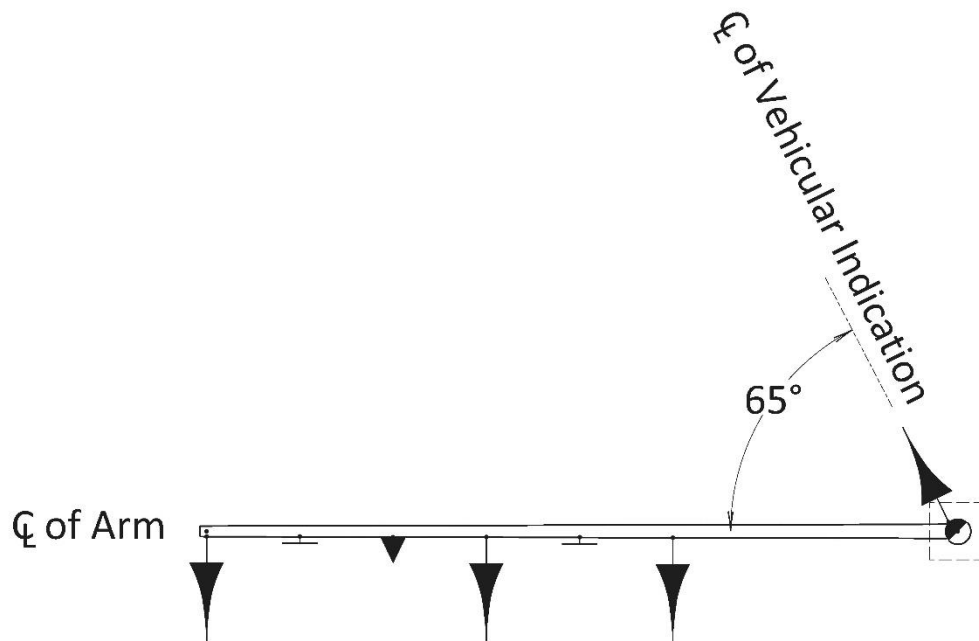
Figure 9-11 | Sign Degrees (Typically for a Guide Sign)



The traffic signal degree column shows the location of the face of the vehicle signal indication mounted on the pole. See Figure 9-12. Vehicle signal indications are not typically mounted to signal poles unless there is need for a supplemental signal indication or the intersection geometry/phasing requires unique placement of the signal indication.

Figure 9-12 | Traffic Signal Degrees

EQUIPMENT ON POLE				
PED SIGNAL & PUSHBUTTON DEG.	TERM. CABINET DEG.	SIGN DEG.	TRAFFIC SIGNAL DEG.	PHOTO ELECTRIC CELL
.	.	.	65	.
.	.	.	.	.



The origin for measuring the degrees is NOT the same for mast arm poles and pedestals.

The photo-electric cell column shows the location of the mount used for the photo electric cell. See Figure 9-13. The photo-electric cell's sensor must be oriented to the north to operate most effectively, so when mounting the photo electric cell to the pole, ensure that photo electric cell's sensor will NOT be pointed directly at the signal pole. See Figure 9-14.

Figure 9-13 | Photo Electric Cell

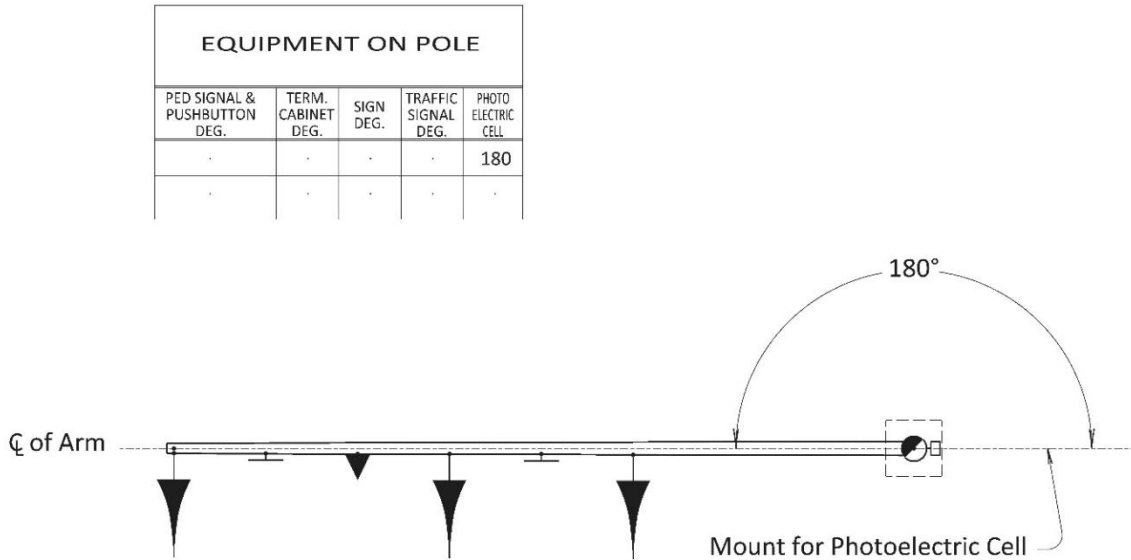
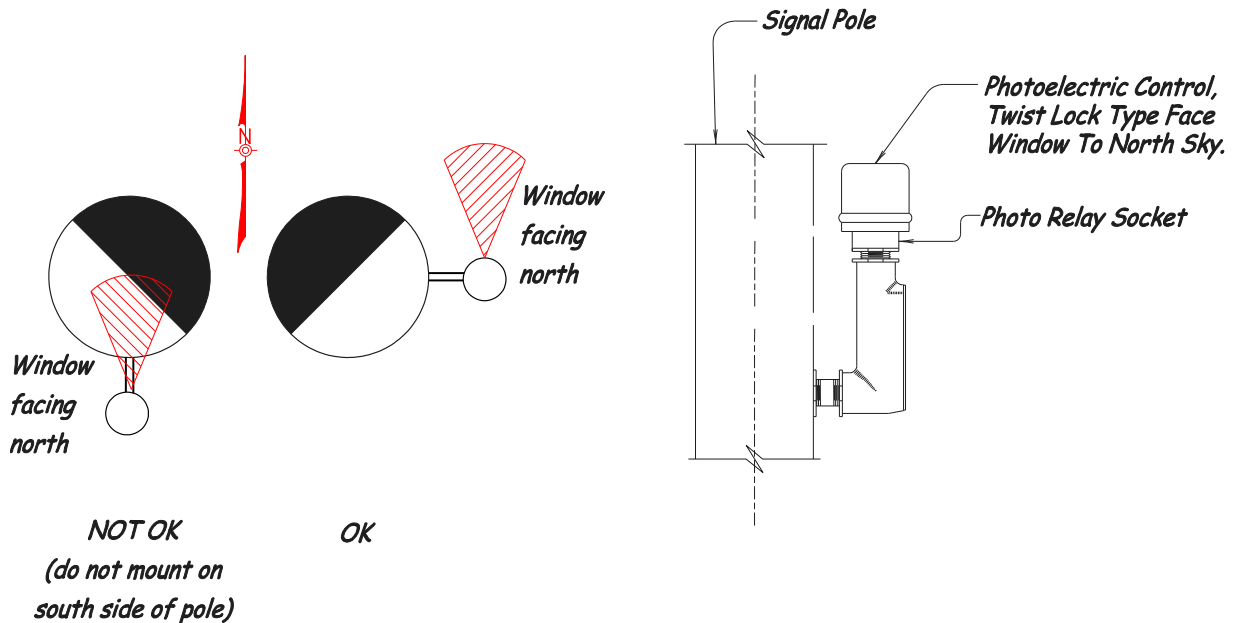


Figure 9-14 | Photo Electric Cell Orientation



There may be cases where additional columns may need to be added to the “equipment on pole” section. Typical examples include a column for the “crosswalk closed” sign if it needs to be mounted to the signal pole, a “Cam. Deg.” column if a video detector/ITS camera is mounted to the pole, or a column for pushbuttons if they have a separate the mounting orientation from the pedestrian signal head. See Figure 9-15.

Figure 9-15 | Adding Columns

EQUIPMENT ON POLE						
PED SIGNAL & PUSHBUTTON DEG.	TERM. CABINET DEG.	SIGN DEG.	CW/1 SIGN DEG.	CAM. DEG.	TRAFFIC SIGNAL DEG.	PHOTO ELECTRIC CELL
.	.	.	.	.	.	.
.	.	.	.	.	.	.

May need to separate if they have different mounting orientations

Additional columns may be needed to properly describe all equipment on the pole

### 9.3.3 Equipment on the Mast Arm

The next columns show all the equipment located on the mast arm. See Figure 9-16. The first column shows the mast arm length. The following columns list each piece of equipment that is located on the mast arm, starting from the tip of the mast arm and going towards the signal pole. For each piece of equipment, the distance in feet from the tip of the mast arm (numerator) AND a description of the type of equipment (denominator) is included. The description is a standard abbreviation that is defined in the legend below the pole entrance chart. The distance is shown in decimal format, with measurements rounded to the nearest half foot.

Figure 9-16 | Mast Arm Equipment

"D1" is measurement to first piece of equipment from the tip of the mast arm to the centerline of object.

EQUIPMENT ON MAST ARM (Length In Feet and Equipment Type)								
ARM LENGTH	D 1	D 2	D 3	D 4	D 5	D 6	D 7	D 8
45	0.5 V3L	4.0 SA	10.0 F	14.0 V2	20.0 SA	24.0 V2		

Numerator in decimal feet to the nearest 1/2 foot. Denominator is the description of the equipment.

Columns not used can be left blank or deleted. Additional columns should be added if needed.

### 9.3.4 Foundation Information

The foundation information columns show the foundation number and the foundation depth for each signal pole. See Figure 9-17. The foundation number is specific to the type of mast arm pole type used and is found on standard drawing TM653 in the “standard foundations” chart. The foundation depth is determined using site specific information documented in a geotechnical report according to the ODOT Traffic Structures Design Manual. This report is produced by the geotechnical engineer once the location of the signal poles has been determined. The foundation depth is shown in decimal format to the tenth of a foot. The geotech report is also referenced on the plan sheet just below the pole entrance chart with the name of the agency/firm that produced the report and the date of the report.

Do NOT include any foundation information for pedestals as the three standard foundations are installed according to standard drawing TM457. Leave these columns blank.

If a custom foundation is used, use “See Dwg. No. XXXXX” in either the “foundation number” and/or “required foundation depth” columns to reference the custom details.

Figure 9-17 | Foundation Information

			FOUNDATION INFORMATION (See Std. Drg. TM653)	
POLE NO.	DWG. NO.	TYPE	FOUNDATION NUMBER	REQUIRED FOUNDATION DEPTH
1	12345	SM-5	5	12.0
2	12345	PP-3		
3	12345	PP-2		
4	12345	PP-1		

Leave foundation info blank for pedestals

This note to be placed at the bottom of pole entrance chart

Foundation Depth as per (Agency Name who preformed report) Geotech Report Dated (XX-XX-XXXX)

### 9.3.5 Luminaires

The illumination columns show the details for the luminaires mounted on signal poles. See Figure 9-18. The information comes from the illumination analysis. The following are typical values for illumination:

- 15-foot arm length
- 0 arm degrees (in-line with the mast arm)
- 35 to 40 foot mounting height
- Standard luminaire type is LED
- Standard fixture type for LED is type 3.
- Standard wattage is from 130 to 275, depending on design.

Figure 9-18 | Luminaire Information

LUMINAIRES					
ARM LENGTH	ARM DEG.	MOUNTING HEIGHT	TYPE	FIXTURE	
				TYPE	WATTAGE
15	0	40	HPS	M-C-III	250

Information from illumination analysis



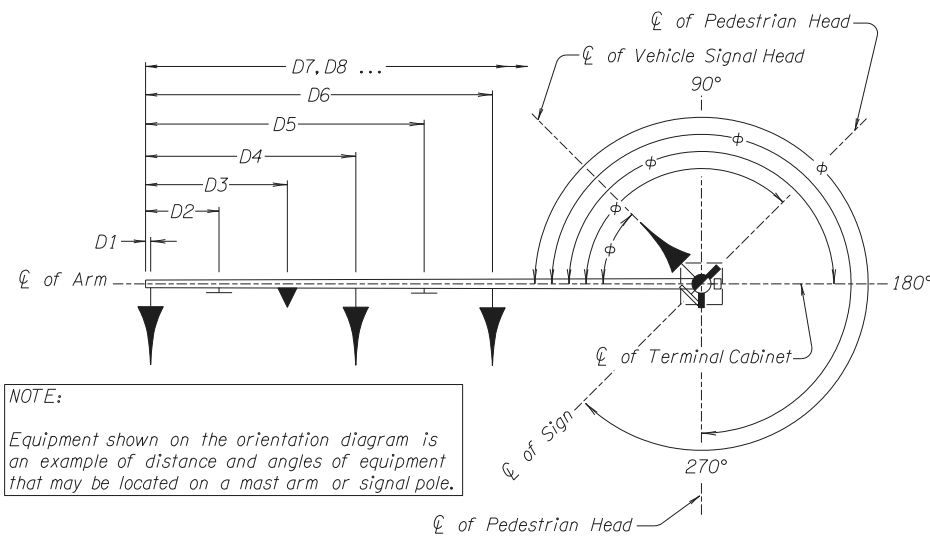
### 9.3.6 Orientation Diagrams

The orientation diagrams provide a legend for how to read the information provided by the pole entrance chart.

There are two standard orientation diagrams that are included with the pole entrance chart:

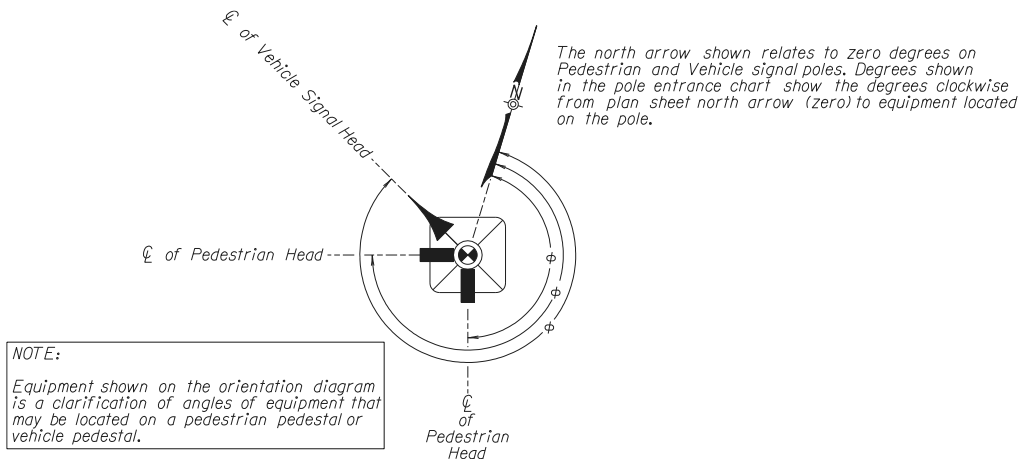
- The mast arm orientation diagram. See Figure 9-19.
- The pedestal orientation diagram, included only if a pedestal is used on the project. See Figure 9-20.

Figure 9-19 | Mast Arm Orientation Diagram



**MAST ARM POLE ORIENTATION DIAGRAM**

Figure 9-20 | Pedestal Orientation Diagram



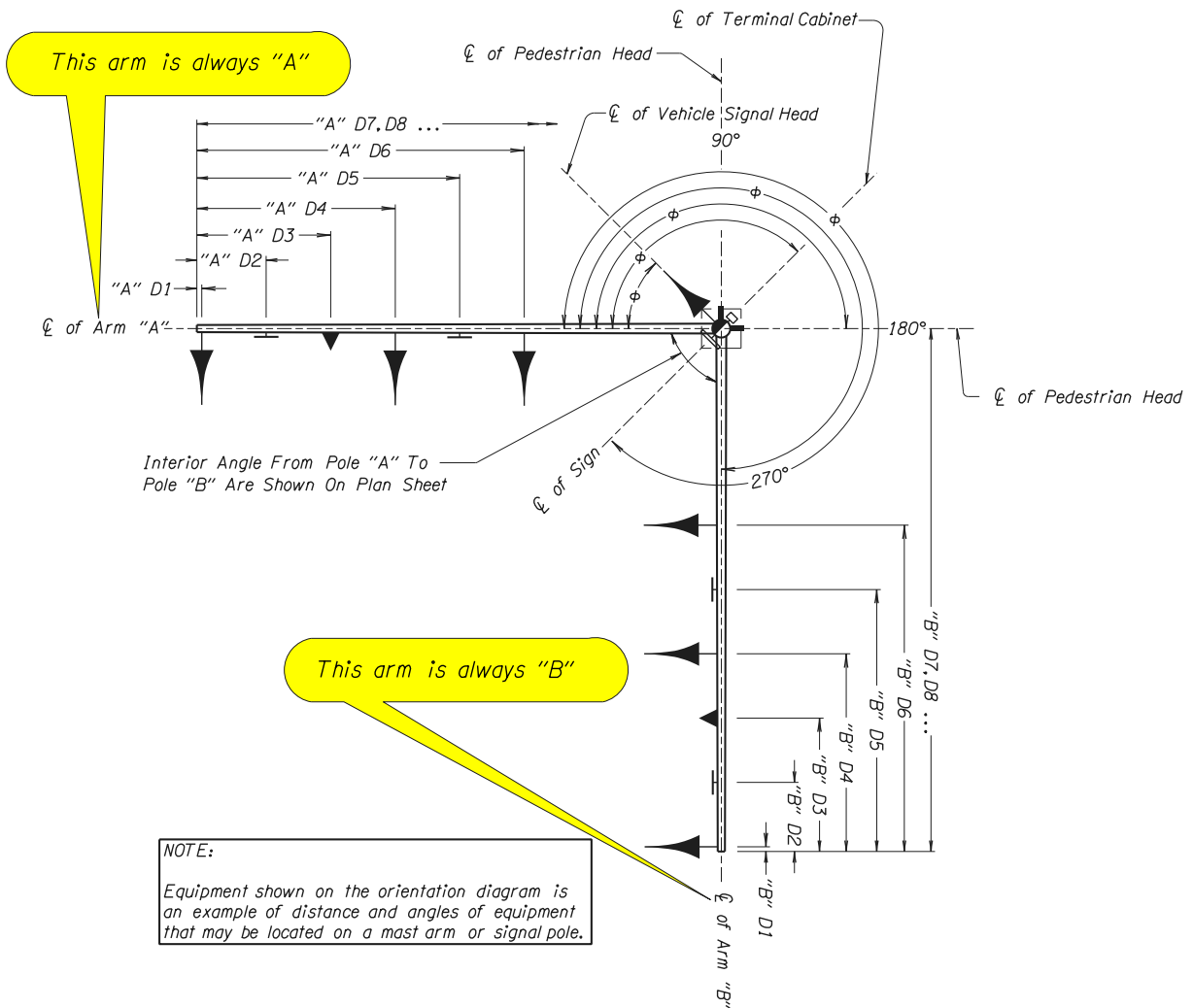
**PEDESTRIAN PEDESTAL / VEHICLE PEDESTAL ORIENTATION DIAGRAM**

### 9.3.7 Detailing Dual Mast Arm Pole in the Pole Entrance Chart

A dual mast arm pole is a custom designed pole and requires a few more pieces of information in the mast arm pole entrance chart (and signal plan sheet) than a standard mast arm pole. In addition, there is a specific pole orientation diagram that must be used for dual mast arm poles.

A dual mast arm pole has one mast arm labeled “A” and one labeled “B” as per the orientation diagram. This clearly designates which arm is being detailed in chart. See Figure 9-21. If possible (e.g., there is only one dual mast arm on the project or each dual mast is oriented in the same way), rotate the dual mast arm in the orientation diagram to match the orientation in the signal plan sheet. See Figure 9-22.

Figure 9-21 | Twin Mast Arm Pole Orientation Diagram



TWIN MAST ARM POLE ORIENTATION DIAGRAM

Figure 9-22 | Twin Mast Arm Pole Orientation Diagram – Rotated

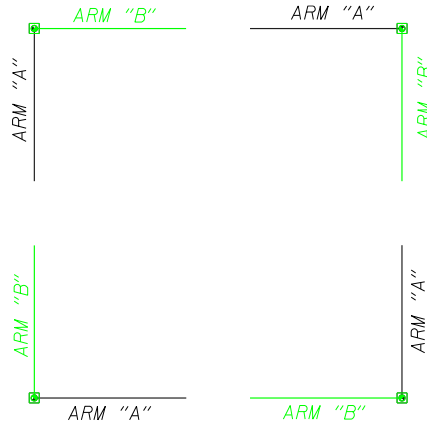


Figure 9-23 through Figure 9-27 show the additional information that is necessary to properly detail a dual mast arm pole in the pole entrance chart.

Figure 9-23 | Twin Mast Arm Pole – Pole Entrance Chart

			See TM650 thru TM653
POLE NO.	DWG. NO.	TYPE	
1	12345	SM-X	Dual mast arm poles are always non-standard ("X" poles)
.	.	.	
2	12345	SM-4	

Leave the next row blank following a dual mast arm

Figure 9-24 | Twin Mast Arm Pole – Equipment on Pole

Equipment On Pole is ALWAYS measured from Mast Arm "A"

EQUIPMENT ON POLE				
PED SIGNAL & PUSHBUTTON DEG.	TERM. CABINET DEG.	SIGN DEG.	TRAFFIC SIGNAL DEG.	PHOTO ELECTRIC CELL
90 & 180	135	.	.	.
.	.	.	.	.
.	.	.	.	.

Figure 9-25 | Twin Mast Arm Pole – Equipment on Mast Arm

See TM650 thru TM653			<b>EQUIPMENT ON MAST ARM</b> (Length in Feet and Equipment Type)								
POLE NO.	DWG. NO.	TYPE	ARM LENGTH	D 1	D 2	D 3	D 4	D 5	D 6	D 7	D 8
1	12345	SM-X	A: 30	0.5 V2	6.0 SA	10.5 V2	20.5 SNS	_____	_____	_____	_____
			B: 35	0.5 V2	10.5 V2	25.5 SNS	_____	_____	_____	_____	
2	12345	SM-4		_____	_____	_____	_____	_____	_____	_____	_____

Arm "A" and Arm "B" are defined and detailed in separate rows

Figure 9-26 | Twin Mast Arm Pole – Foundation Information

A non-standard foundation is typically required and shown in a separate signal detail plan sheet (referenced in the pole entrance chart)

<b>FOUNDATION INFORMATION</b> (See Std. Drg. TM653)	
FOUNDATION NUMBER	REQUIRED FOUNDATION DEPTH
N/A	See TRS Dwg. No.12345
.	.
.	.

Figure 9-27 | Twin Mast Arm Pole – Luminaires

Luminaire arm degrees is ALWAYS measured from Mast Arm "A"

<b>LUMINAIRES</b>				<b>FIXTURE</b>	
ARM LENGTH	ARM DEG.	MOUNTING HEIGHT	TYPE	TYPE	WATTAGE
15	0	40	HPS	M-S-III	250

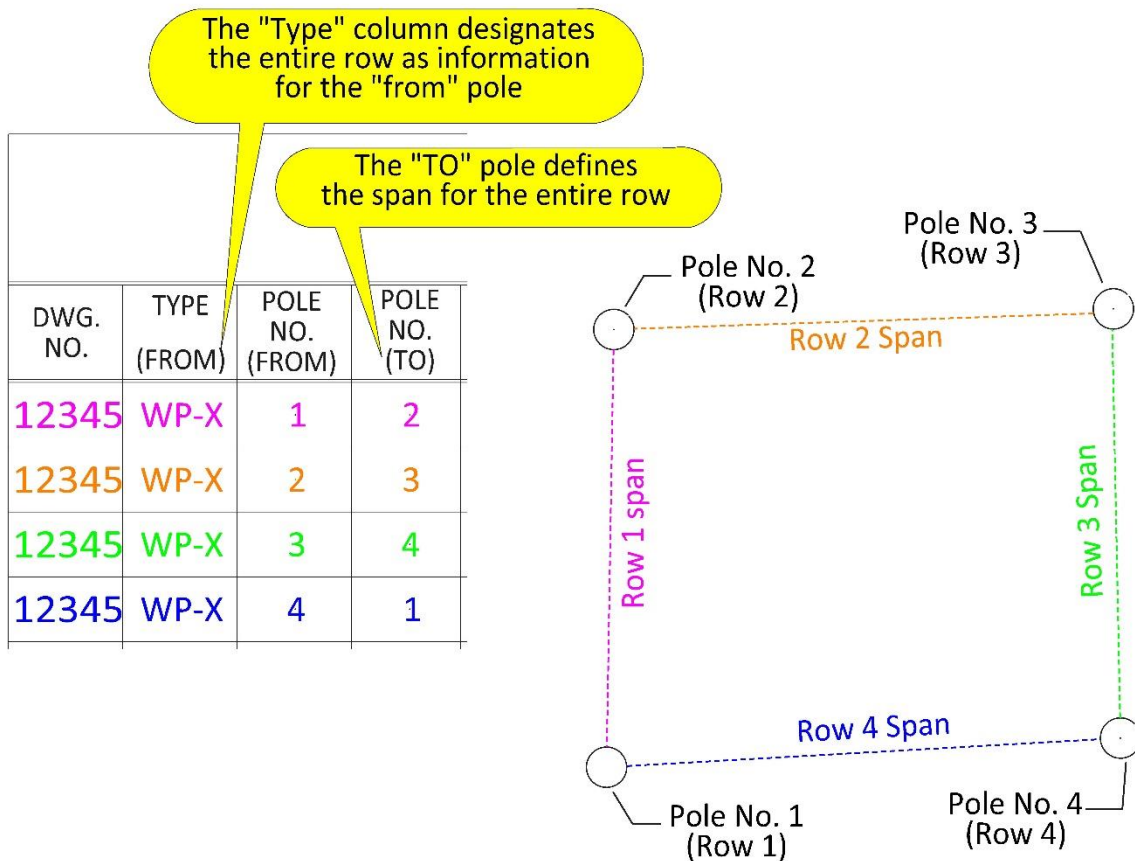
## 9.4 Pole Entrance Chart – Temporary Strain Pole

The following section discusses how to fill out the strain pole entrance chart properly. If any of the columns do not apply to the pole that is being detailed, leave those columns blank.

### 9.4.1 First 4 Columns

The first four columns list the basic pole and span identifiers: the signal plan sheet the pole is located on, the type of pole it is (always WP-X, a non-standard wood pole), the unique pole number (designated as the “FROM” pole), and the span (defined by the “TO” pole). See Figure 9-28. By specification 00227.12, the contractor is required to submit structural analysis for approval of the wood pole design based on the following information provided by the signal designer: pole location & span length, equipment & location of equipment on each span, and the messenger cable attachment height (MAH) for each pole.

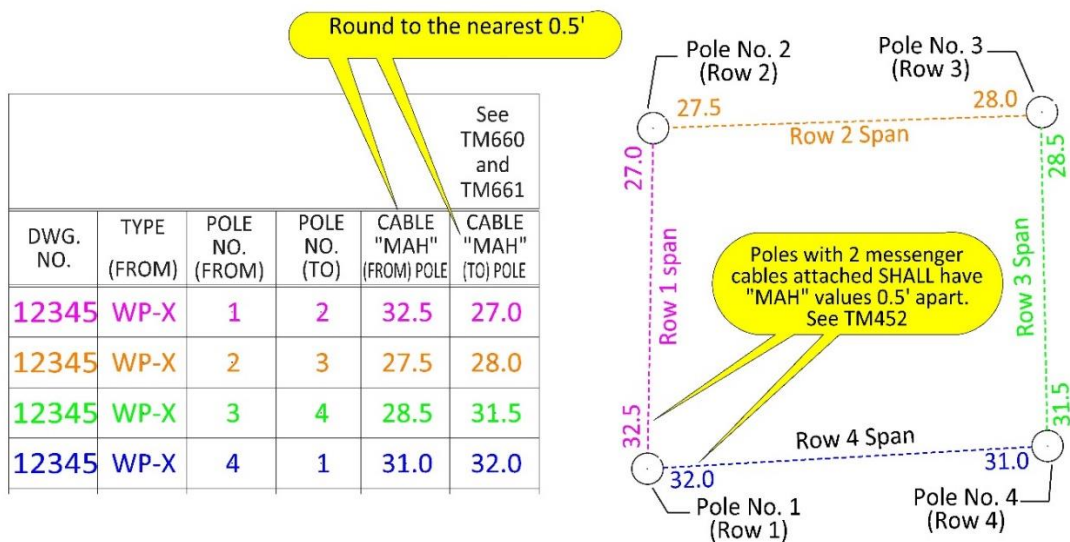
Figure 9-28 | Basic Pole and Span Information



## 9.4.2 Messenger Cable Attachment Height (MAH)

The next two columns after the basic pole information show the messenger cable attachment height (MAH) for each messenger cable attached to the pole. All values should be reported in increments of 0.5 feet. For poles with 2 messenger cables attached, the MAH values must be separated by 0.5 feet as per standard drawing TM452. See Figure 9-29.

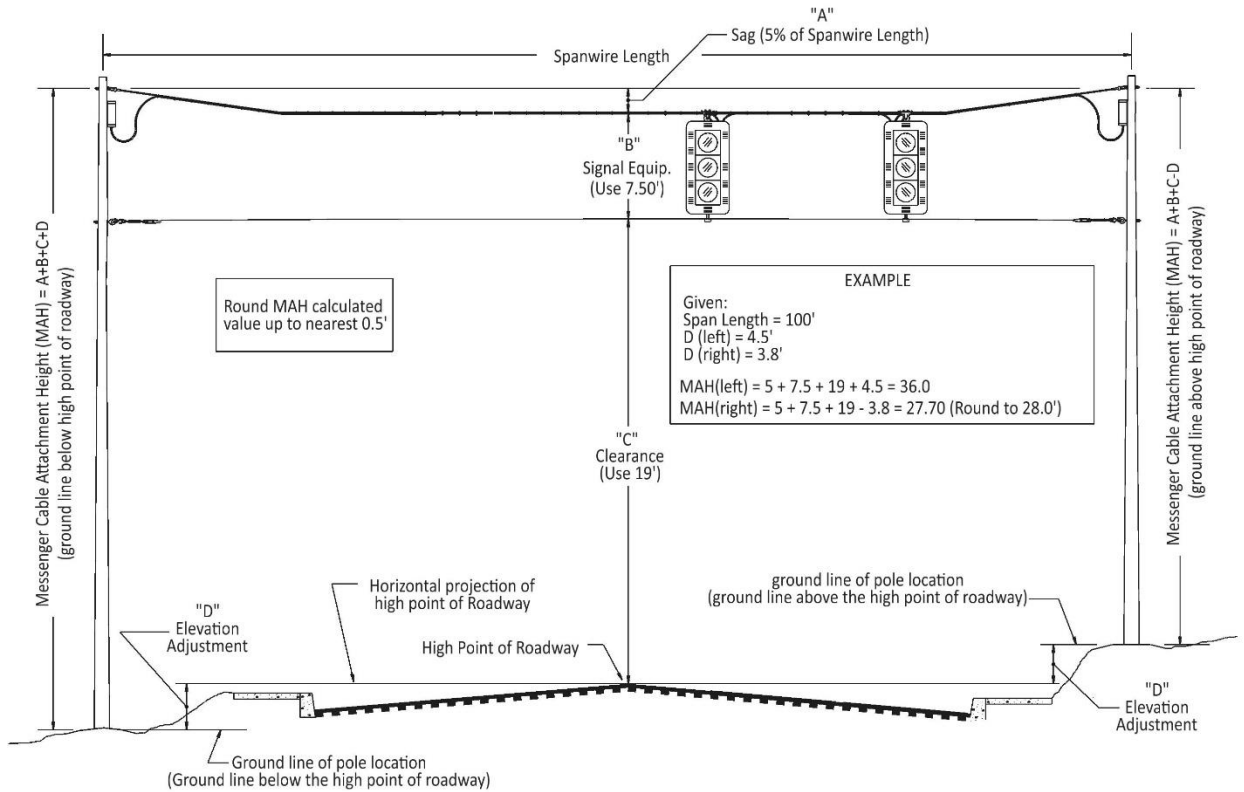
Figure 9-29 | Messenger Cable Attachment Height (MAH)



The MAH is defined as the distance from the ground line for the temporary wood pole to the point of attachment of the messenger cable. To determine the MAH, request a cross-section from the roadway designer for each span. To calculate the MAH, see Figure 9-30 which assumes the following:

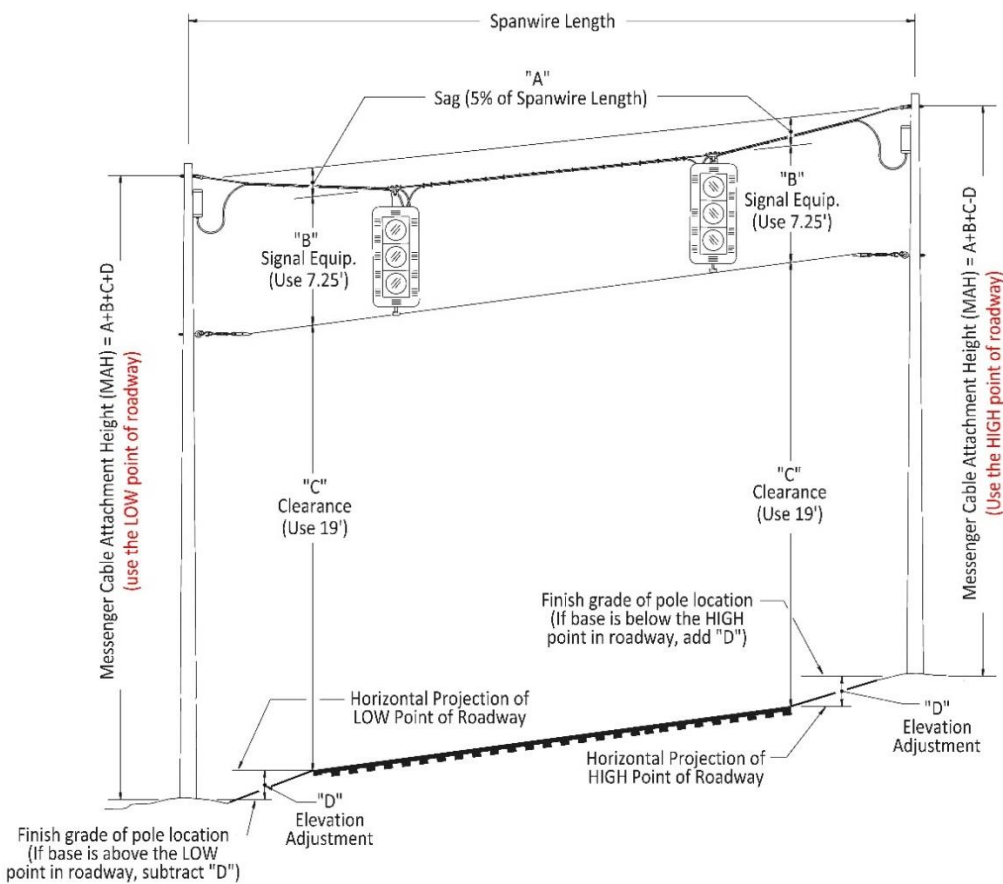
- The MAH values for the span are at approximately equal elevations (typically within 1 foot of each other). If the elevations of the MAH for the span are different by more than 1 foot due to a super elevation or steep vertical grade, see Figure 9-31 for how to calculate the MAH.
- 19 feet maximum roadway clearance. The tolerance for the roadway clearance is 18 feet minimum to 19 feet maximum as per standard drawing TM450. Using the 19 feet maximum value for calculating the MAH results in a conservative MAH value (from the perspective of roadway clearance).
- A type 5 signal head is mounted at the lowest spot on the span which coincides with the highest spot on the roadway. The results in a conservative MAH value and allows for any modifications needed for temporary staging. However, the largest piece of signal equipment to be installed on the temporary span may be used in the calculation in lieu of the type 5 signal head.

Figure 9-30 | Calculating the MAH Value



There are rare cases where the roadway cross-section will result in unequal MAH elevations for the span (e.g., when there is a steep grade or super elevation). In these cases, both the high point of the roadway AND the low point of the roadway is used to determine the MAH for each pole as per Figure 9-31. Using the method shown in Figure 9-31 is oversimplified and results in a conservative estimate for roadway clearance, as the low point in the catenary span will not actually occur at the locations shown when the MAH elevations are not equal.

Figure 9-31 | Calculating the MAH Value – Spans with MAH Elevations Differing by More Than a Foot



Round MAH calculated value up to nearest 0.5'

**EXAMPLE**

Given:  
 Span Length = 100'  
 D (left) = 4.5'  
 D (right) = 3.8'

MAH(left) = 5 + 7.25 + 19 + 4.5 = 35.75 (Round to 36')  
 MAH(right) = 5 + 7.25 + 19 - 3.8 = 27.45 (Round to 27.5')

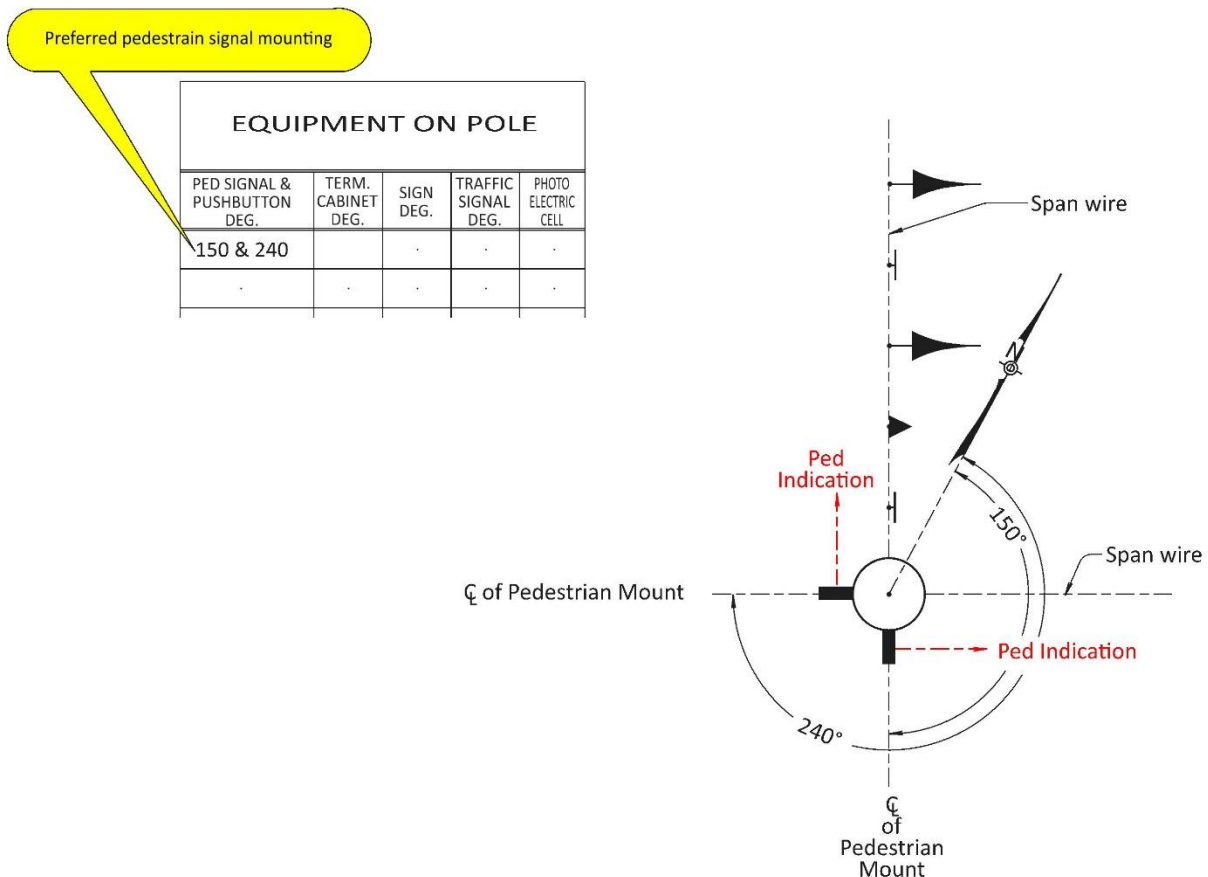


### 9.4.3 Equipment on Pole

The next five columns detail all the equipment that is located on the vertical pole. All equipment that is located on the vertical pole is measured by degrees to ensure the correct orientation of the equipment. The degrees are shown to the nearest 5-degree increment.

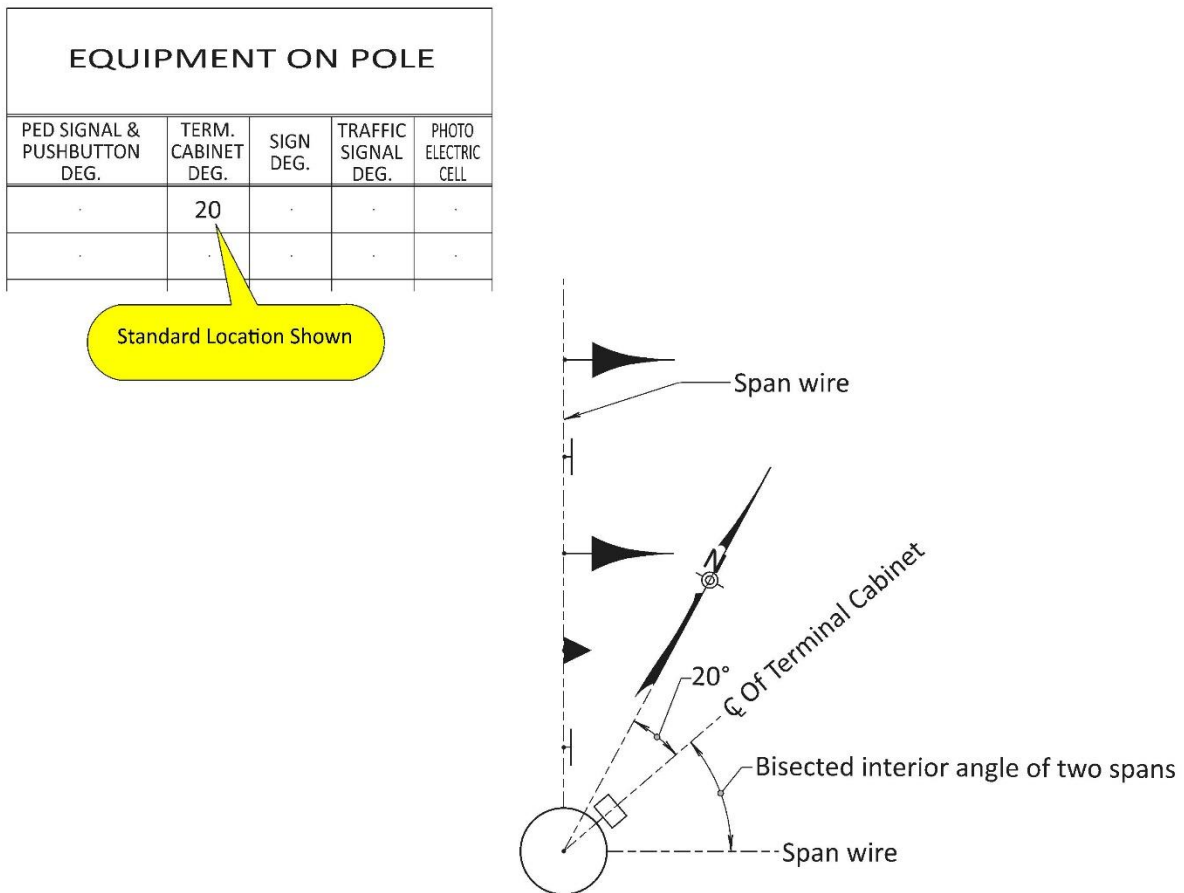
The pedestrian signal and pushbutton degrees column shows the location on the pole to attach the mount for the pedestrian signal (which is 90 degrees from the face of the signal indication) and the mount for the pushbutton. The pushbutton degrees are also included in this column as the pushbutton mount is typically at the same orientation as the pedestrian signal mount. In the case where the pushbutton needs to be at a different orientation than the pedestrian signal indication (180-degree difference), add a column to separate the two pieces of equipment. If more than one pedestrian signal indication/pushbutton is mounted to the pole an “&” symbol is used between the two locations. The degrees for a strain pole are measured clockwise from the north arrow. The preferred mounting on the back side of the strain pole is shown in Figure 9-32.

Figure 9-32 | Pedestrian Signal Equipment



The terminal cabinet degree shows the location to mount the terminal cabinet to the temporary wood pole (see TM454 for additional details). The terminal cabinet should be located on the bisected interior angle formed by the two span wires for ease of maintenance. See Figure 9-33.

Figure 9-33 | Terminal Cabinet on Strain Pole



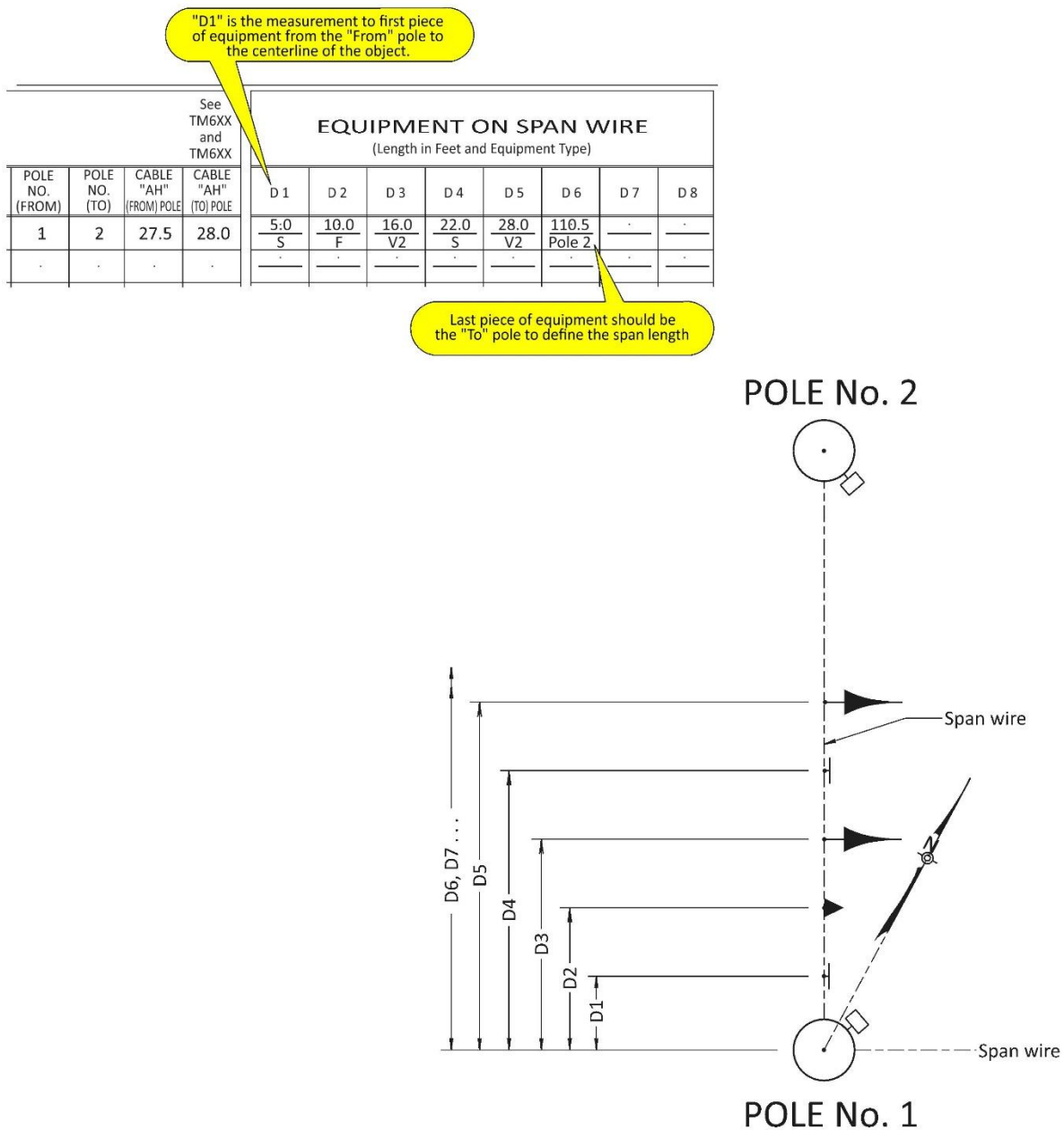
The last 3 columns in the “equipment on pole” (sign deg., traffic signal deg., and photo electric cell) are detailed the same as for a mast arm pole, with the only exception being the origin of degree measurement (strain poles always measure degrees based off of the north arrow). See Section 9.3.2.

### 9.4.4 Equipment on Span Wire

The equipment on located on the span wire is detailed the same as the equipment located on the mast arm (see section 9.3.3) with the two following exceptions (see Figure 9-34):

- The origin of measurement is based on the “from” pole
- The “to” pole is listed as the last piece of equipment to define the length of the span

Figure 9-34 | Equipment on Span Wire



## 9.4.5 Foundation Information

Foundation design information for temporary wood poles is provided by the contractor and approved by the traffic structures engineer or the EOR during construction. Therefore, leave these columns blank or state “contractor provided”.

## 9.4.6 Luminaires

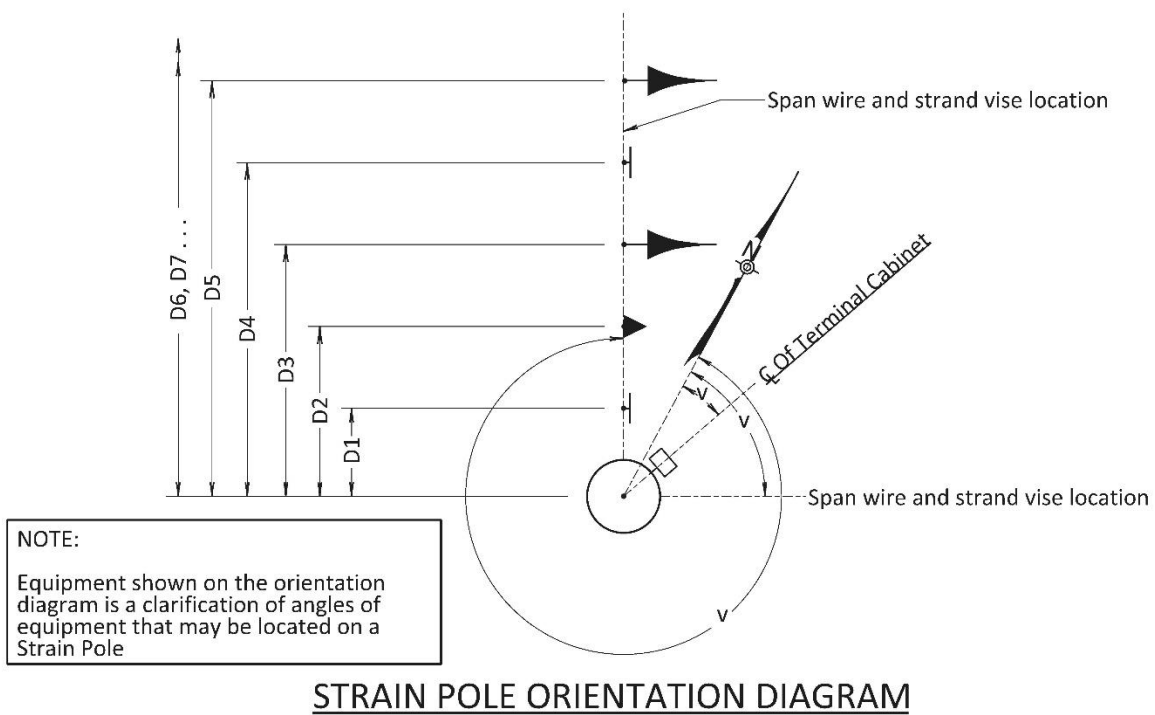
The same information presented in the mast arm pole orientation diagram applies to strain poles. See section 9.3.5.

## 9.4.7 Orientation Diagrams

The orientation diagram provides a legend for how to read the information provided by the pole entrance chart.

The orientation diagram that is included with the pole entrance chart for a span wire is shown in Figure 9-35.

Figure 9-35 | Strain Pole Orientation Diagram



## 9.5 Custom Details Created from Standard Details

Most custom details that will be shown on a details plan sheet will be created from a standard detail. See chapter 17 for more information on standard details. A custom detail is needed anytime the standard drawings need to be modified to be applicable to the project or a standard drawing addressing the necessary micro details of installation doesn't exist.

### 9.5.1 ITS Equipment

If the project has ITS equipment such as, fiber optics or communication devices, there will most likely be a need for a detail plan sheet that shows micro details for these installations (e.g., splicing, equipment mounting in the controller cabinet, etc.). See Figure 9-36 through Figure 9-38 for examples of ITS details. Typically, the ITS designer is responsible for the ITS detail sheets.

Detail sheets that contain ITS information should have dual sheet numbers assigned, a TRS dwg. number from the traffic engineering section and an ITS dwg. number from the ITS unit.

Figure 9-36 | ITS Fiber Splice Detail Example

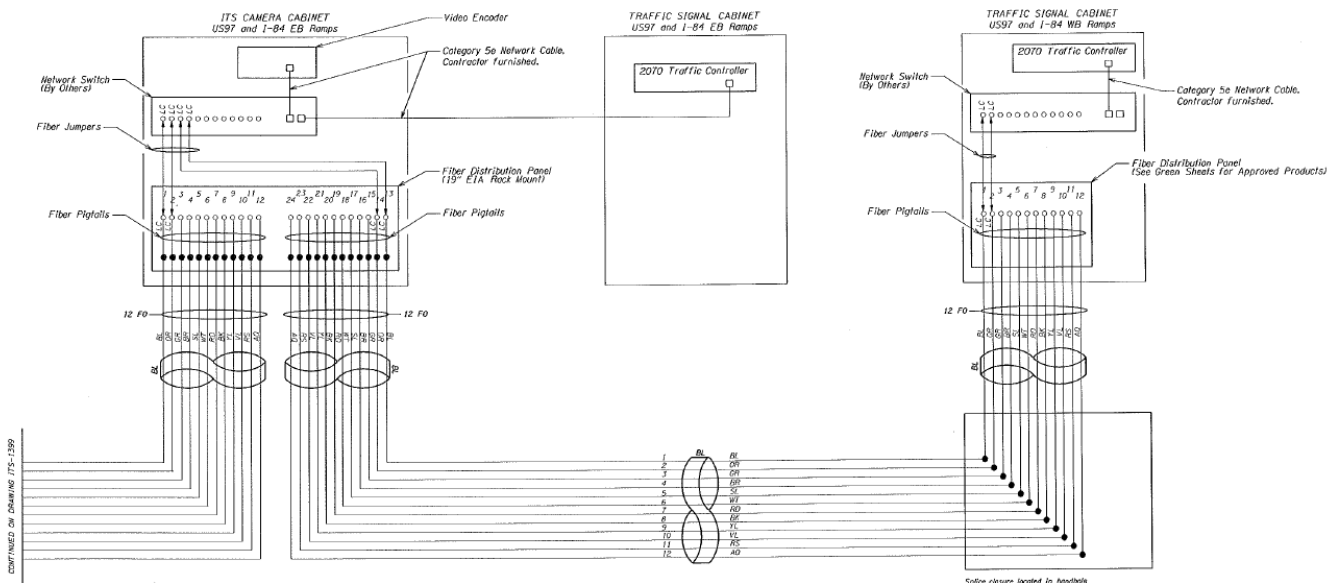


Figure 9-37 | Communication Rack Detail Example

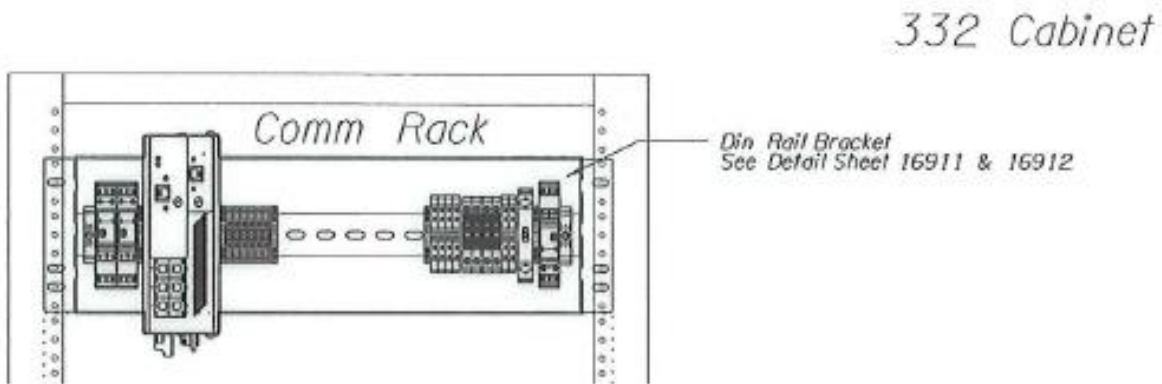
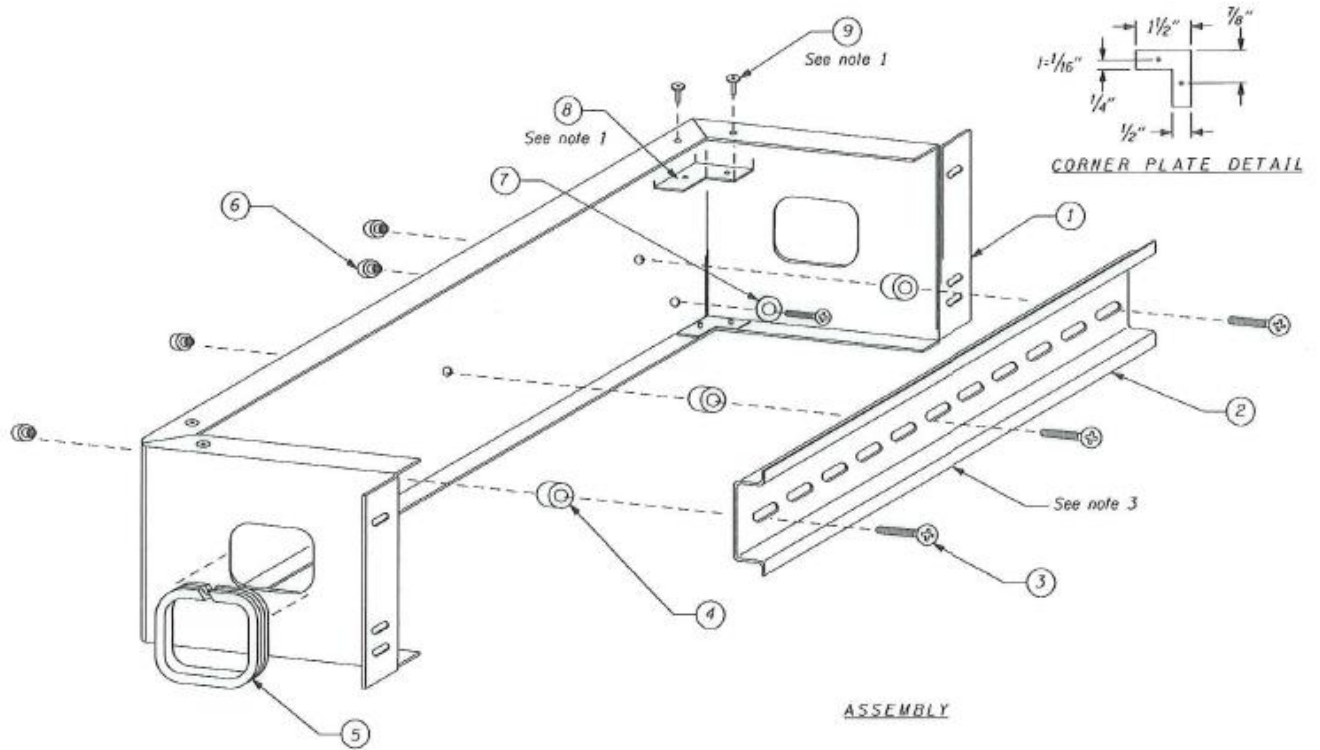


Figure 9-38 | Din Rail Bracket Detail Example



# 9.5.2 Stand-Alone Luminaire Pole: Light Table

In rare cases, the project may have stand-alone luminaire pole at the signalized intersection with traffic signal equipment mounted to it or such a small quantity of luminaire poles that illumination plans will not be produced. In these cases, the stand-alone luminaire poles may be shown and detailed on the signal plans.

Stand-alone luminaire poles require additional information than what is shown in the pole entrance chart. If there will be no illumination plans for the project, the stand-alone luminaire pole needs to have a light pole table included in the details plan sheets using DET4330. See Figure 9-39.

Figure 9-39 | Light Pole Table for Stand-Alone Luminaire Pole – DET4330

