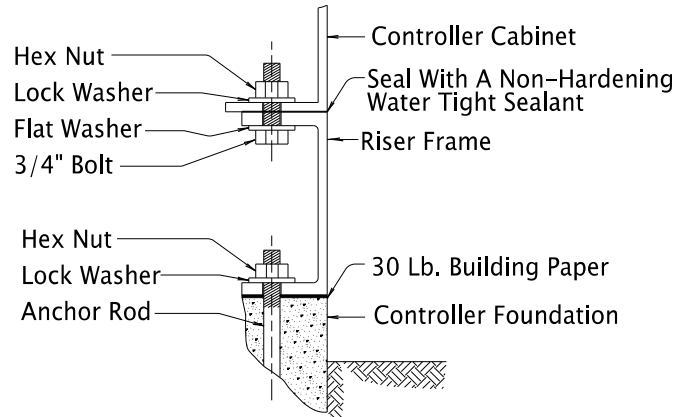
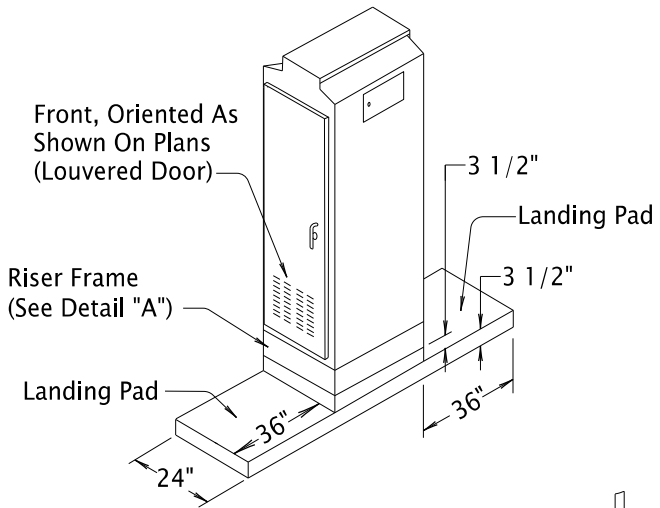
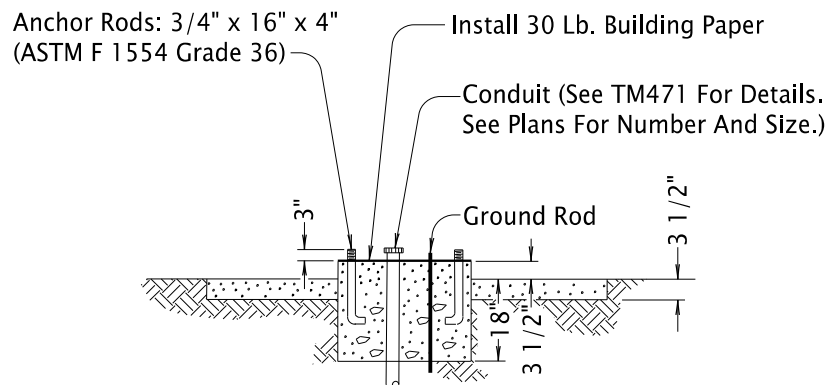
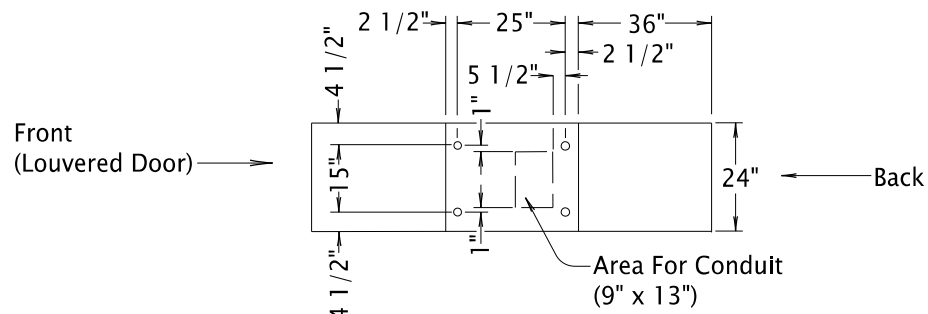


**BASE MOUNTED SERVICE CABINET FOUNDATION**



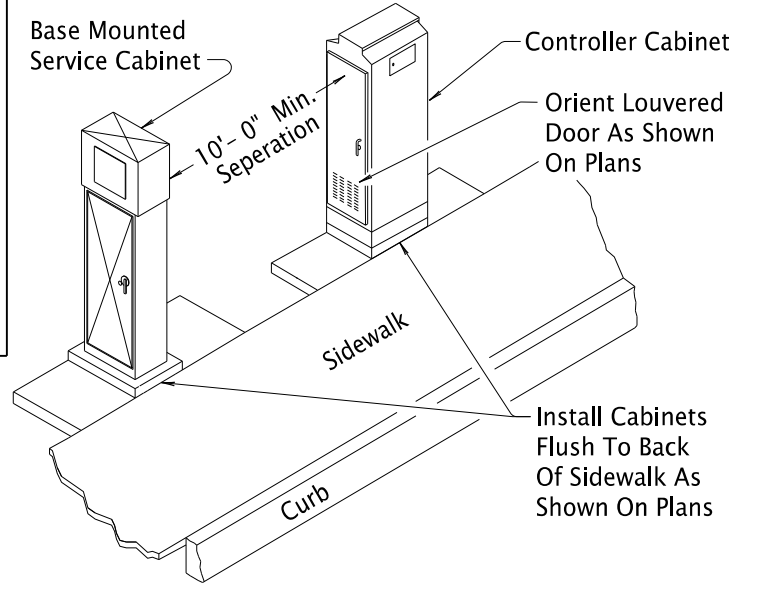
**DETAIL "A"  
RISER FRAME CONNECTION**



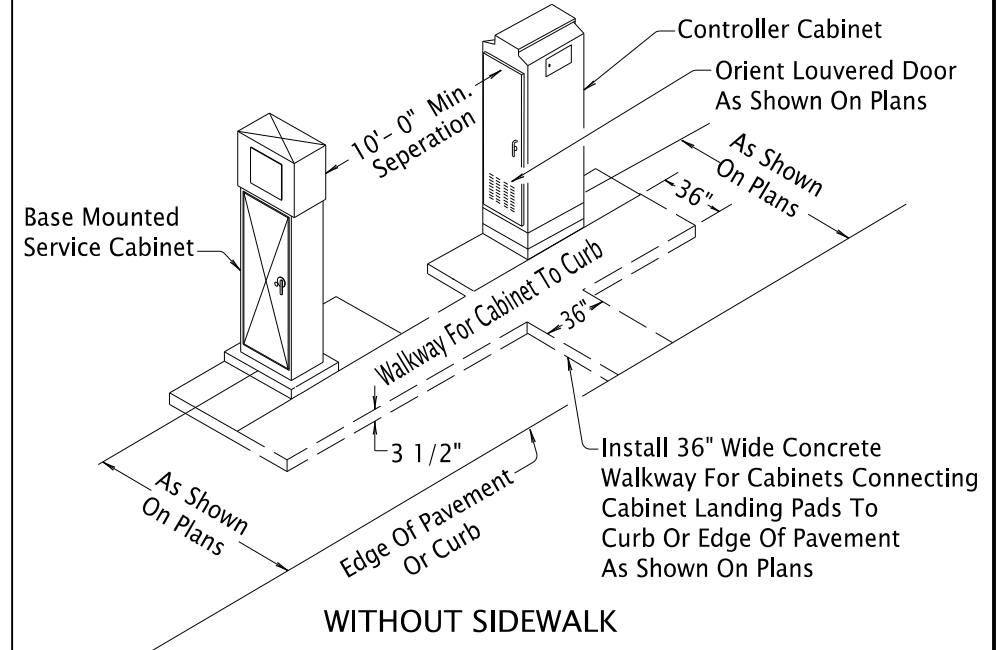
**CONTROLLER CABINET FOUNDATION DETAILS**  
(Model 332S, 332, 334, And 340 Cabinets)

**General Notes:**

1. All Screws, Bolts, Nuts And Washers Shall Be Galvanized Steel Unless Noted Otherwise.
2. Bolts And Screws Shall Have Square Or Hex Heads. Allen Fasteners Not Allowed.
3. Type 304 Or 316 Stainless Steel Or Galvanized Steel May Be Used For Mounting Cabinet To Riser Frame.
4. Provide A 3/4" Chamfer On All Exposed Concrete Edges.



**WITH SIDEWALK**



**WITHOUT SIDEWALK**

**CABINET FOUNDATION LOCATIONS**

Note: Verify Base Mounted Service Cabinet Location And Meter Placement Is Acceptable To Local Power Company

*The selection and use of this Standard Drawing, while designed in accordance with generally accepted engineering principles and practices, is the sole responsibility of the user and should not be used without first consulting a Registered Professional Engineer.*

All materials shall be in accordance with the current Oregon Standard Specifications.

**OREGON STANDARD DRAWINGS  
CONTROLLER CABINET &  
SERVICE CABINET  
FOUNDATION DETAILS**

2024

DATE	REVISION	DESCRIPTION
01-2021	UPDATED ALL ANCHOR ROD DETAILS	

CALC. BOOK NO. ---	N/A ---	SDR DATE: 04-JAN-2021	<b>TM482</b>
--------------------	---------	-----------------------	--------------