



ADA Quick Reference Guide - Campsites

ADA Accessible Sites per Campground

ADA accessible campsites per campground is based on the actual total amount of all campsites

Total # of Camping Units at Park	Minimum # required with mobility features
1	1
2 to 25	2
26 to 50	3
51 to 75	4
76 to 100	5
101 to 150	7
151 to 200	8
200 and over	8, plus 2% of the # over 200

Tent Pad

There is no prescriptive tent size as tents come in all sizes, but ensure a flat surface with 2% to 5% max slope in all directions.



RV pad

20' wide plus 3' on driver's side to access utility hookup. Include accessible table and fire pit (see below)



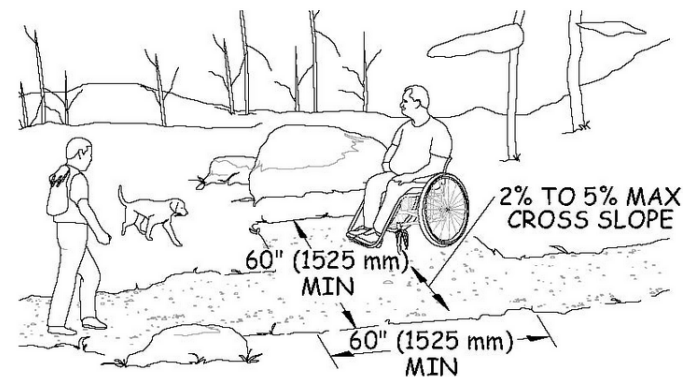
Trails

No preference as long as it's compact surface such as concrete, asphalt, compressed gravel.

Width: 36" minimum

Passing Space: 60" x 60" minimum

Cross Slope: 2% to 5% maximum

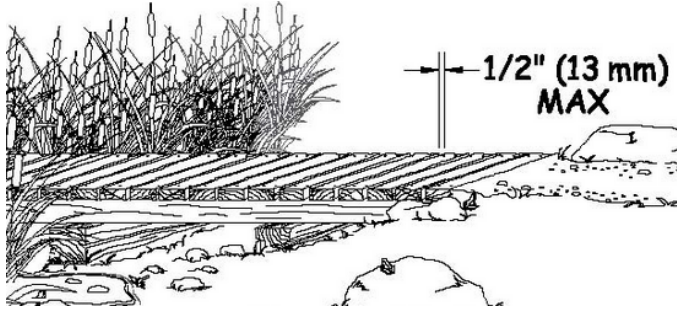




ADA Quick Reference Guide - Campsites

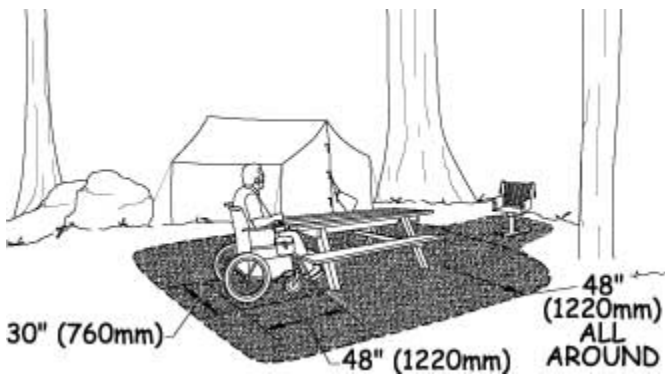
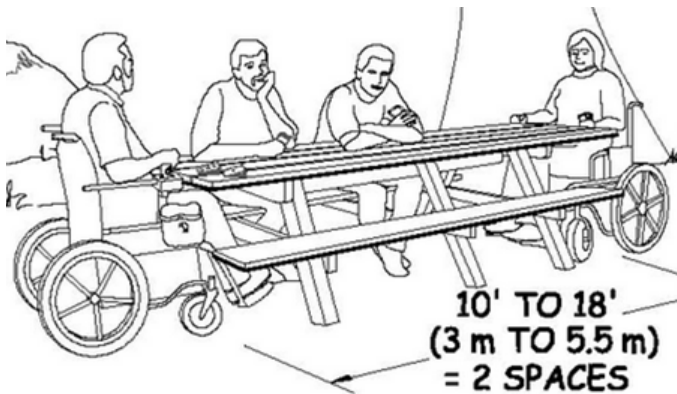
Openings

Openings are gaps in the surface of a trail.



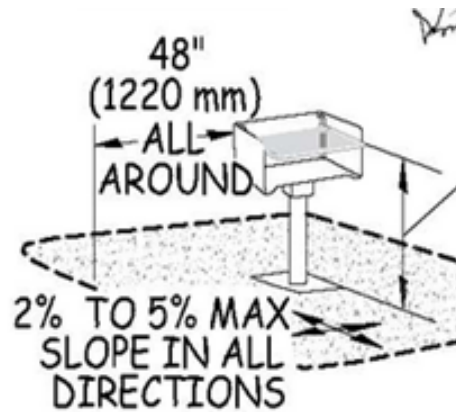
Picnic Tables

Surface height of no more than 34" and no less than 28" above the floor. At least 27" of knee clearance must be provided between the floor and the underside of the table. 9' table requires 1 wheelchair space. 10'-18' tables require 2 wheelchair spaces.



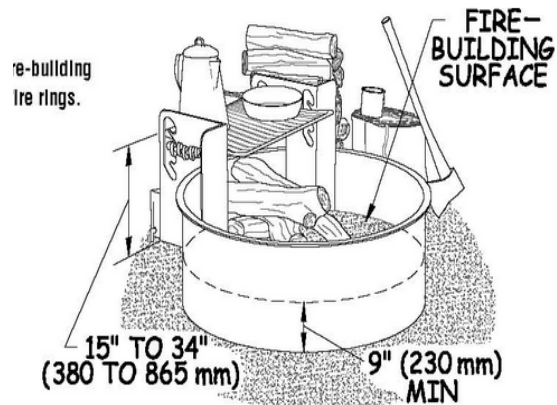
Grill

15" to 34" height; 2% to 5% max slope in all directions; 48" flat surface all around



Fire Pit

15" to 34" height; 9" min depth for fire building



Images/Info Source:

United States Access Board

<https://www.access-board.gov/guidelines-and-standards/recreation-facilities/outdoor-developed-areas/a-summary-of-accessibility-standards-for-federal-outdoor-developed-areas/trails>