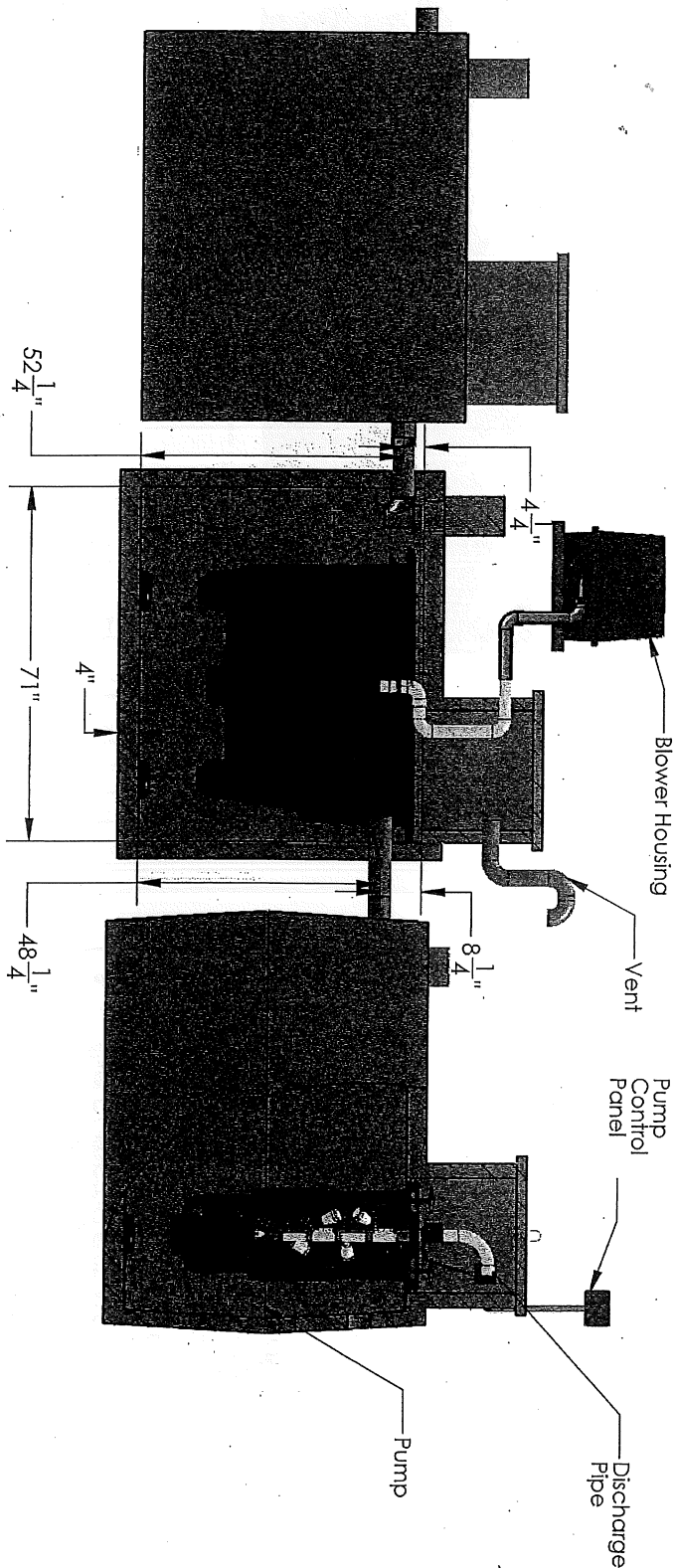
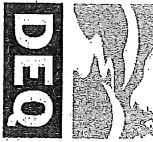


- Notes:
- The inlet will not be interfered with.
  - The outlet tee will be removed to allow the FAST® treatment system outlet to be installed properly.
  - See Willamette Graystone Tank drawing "1000 Gallon Clamshell Septic Tank" for detailed tank dimensions.
  - All exterior pipe size as per Oregon requirements.
  - The volume of the septic and dosing tank will be as required in OAR 340-071.
  - All connections into and out of pumping system shall be sealed and water tight.
  - The pumping system must be properly vented.
  - All electrical connections shall meet local codes.
  - Reference "Short-FAST-Module-Procedure" and MicroFAST drawings for additional information.

THE INFORMATION CONTAINED IN THIS DRAWING IS THE SOLE PROPERTY OF BIO-MICROBICS INC. ANY REPRODUCTION IN PART OR AS A WHOLE WITHOUT THE WRITTEN PERMISSION OF BIO-MICROBICS INC. IS PROHIBITED. DESIGN AND INVENTION RIGHTS ARE RESERVED IN THE INTEREST OF TECHNOLOGICAL ADVANCEMENT. ALL PRODUCTS ARE SUBJECT TO DESIGN AND OR MATERIAL CHANGE WITHOUT NOTICE.

BIO-MICROBICS © 2013

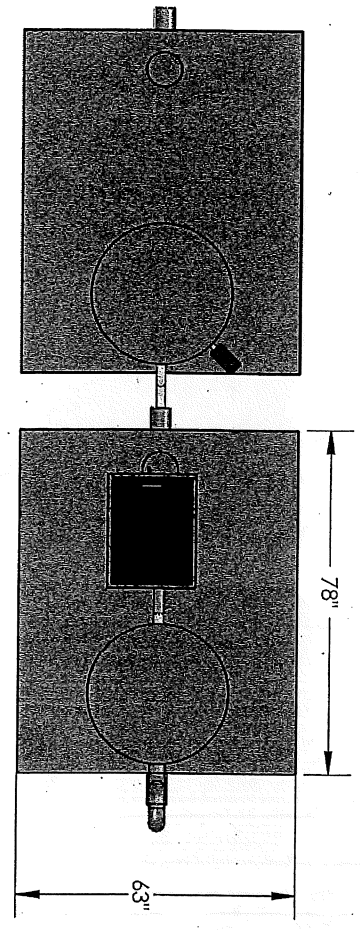
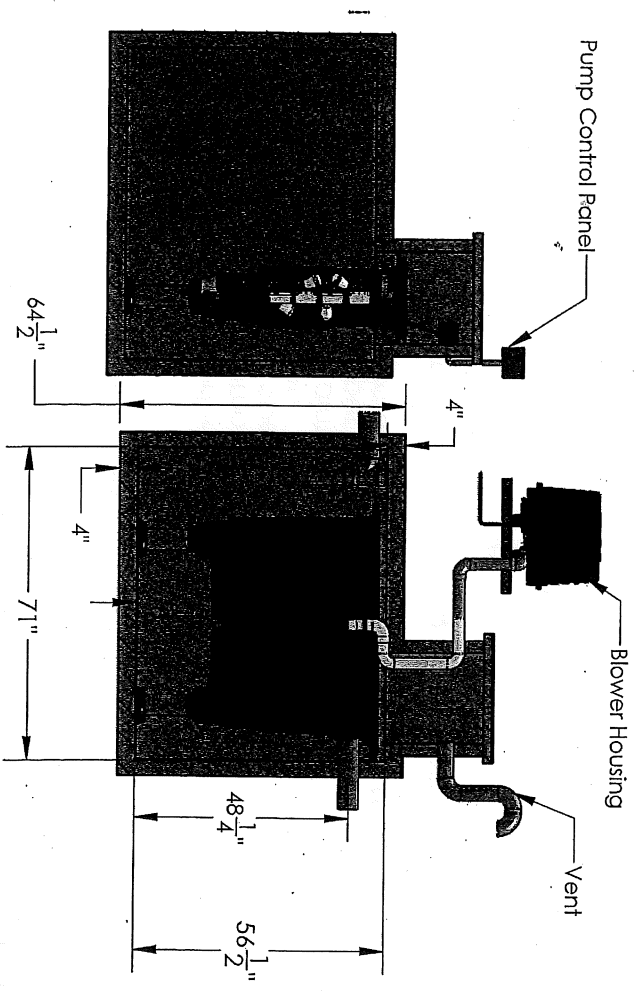
DO NOT SCALE		UNLESS NOTED DIMENSIONS ARE IN INCHES (CENTIMETERS) TOLERANCES ± 0.02 IN/IN (± 0.05 CM/CM)	
WEIGHT		DRAWING NUMBER	
NAME	DATE	Dosing Septic	
DRAWN CFC	8/11/2009	REVISED 7/23/2013	
CHECKED PF	7/23/2013	REV. IN-02-R	SHEET 1 OF 3
BIO-MICROBICS INCORPORATED		Willamette MCF 0.5	



- Notes:
- The inlet will not be interfered with.
  - The outlet tee will be removed to allow the FAST® treatment system outlet to be installed properly.
  - See Willamette Graystone Tank drawing "1000 Gallon Clamshell Septic Tank" for detailed tank dimensions.
  - All exterior pipe size as per Oregon requirements.
  - The volume of the septic and dosing tank will be as required in OAR 340-071.
  - All connections into and out of pumping system shall be sealed and water tight.
  - The pumping system must be properly vented.
  - All electrical connections shall meet local codes.
  - Reference "Short-FAST-Module-Procedure" and MicroFAST drawings for additional information.

THE INFORMATION CONTAINED IN THIS DRAWING IS THE SOLE PROPERTY OF BIO-MICROBICS, INC. ANY REPRODUCTION IN PART OR AS A WHOLE WITHOUT THE WRITTEN PERMISSION OF BIO-MICROBICS, INC. IS PROHIBITED. DESIGN AND INVENTION RIGHTS ARE RESERVED. INTEREST OF TECHNOLOGICAL ADVANCEMENT. ALL PRODUCTS ARE SUBJECT TO DESIGN AND/OR MATERIAL CHANGE WITHOUT NOTICE.

DO NOT SCALE UNLESS NOTED DIMENSIONS ARE IN INCHES (CENTIMETERS) TOLERANCES ± 0.02 IN/IN [± 0.05 CM/CM]		BIO-MICROBICS INCORPORATED	
W/EGHT		Willamette MCF 0.5	
NAME	DATE	SIZE	DRAWING NUMBER
CRC	8/11/2009	A	Distribution Tank
CHECKED	Pf 1/23/2013	REVISED	7/23/2013
		REV.	IN-02-R
SHEET			2 OF 3



- Notes:
- The inlet will not be interfered with.
  - The outlet tee will be removed to allow the FAST® treatment system outlet to be installed properly.
  - See Willamette Graystone Tank drawing "1000 Gallon Clamshell Septic Tank" for detailed tank dimensions.
  - All exterior pipe size as per Oregon requirements.
  - The volume of the septic and dosing tank will be as required in OAR 340-071.
  - All connections into and out of pumping system shall be sealed and water tight.
  - The pumping system must be properly vented.
  - All electrical connections shall meet local codes.
  - Reference "Short-FAST-Module-Procedure" and MicroFAST drawings for additional information.

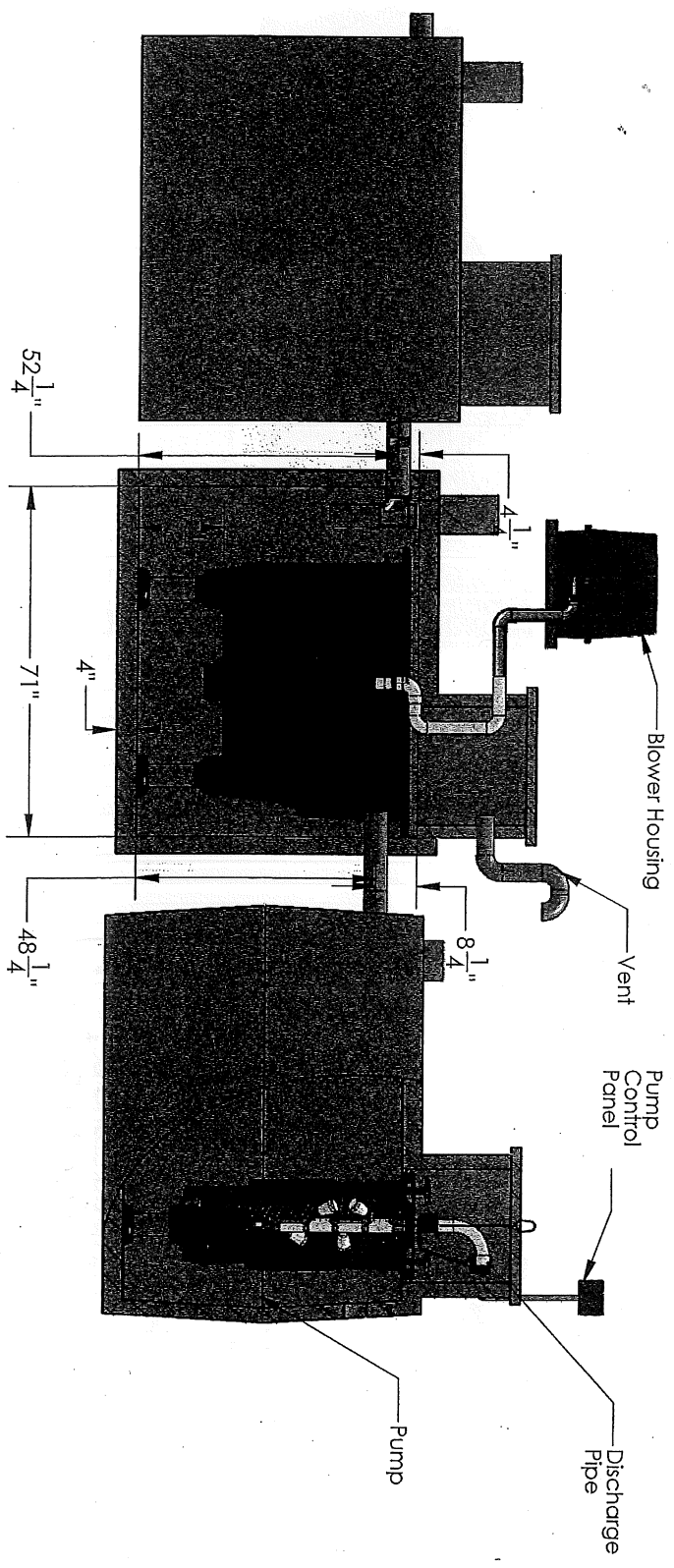
THE INFORMATION CONTAINED IN THIS DRAWING IS THE SOLE PROPERTY OF BIO-MICROBICS INC. ANY REPRODUCTION IN PART OR AS A WHOLE WITHOUT THE WRITTEN PERMISSION OF BIO-MICROBICS INC. IS PROHIBITED. DESIGN AND MATERIAL RIGHTS ARE RESERVED IN THE INTEREST OF TECHNOLOGICAL ADVANCEMENT. ALL PRODUCTS ARE SUBJECT TO DESIGN AND/OR MATERIAL CHANGE WITHOUT NOTICE.

BIO-MICROBICS © 2013

DO NOT SCALE UNLESS NOTED DIMENSIONS ARE IN INCHES (CENTIMETERS) TOLERANCES ±.002 IN/IN (±0.05 CM/CM)		 Willamette MCF 0.75	
WEIGHT	ID	SIZE	DRAWING NUMBER
NAME	DATE	A	Dosing Septic
DEAWN CFC	8/11/2009		
CHECKED PF	7/29/2013	REVISED 7/29/2013	REV. INH02-R
			SHEET 1 OF 3



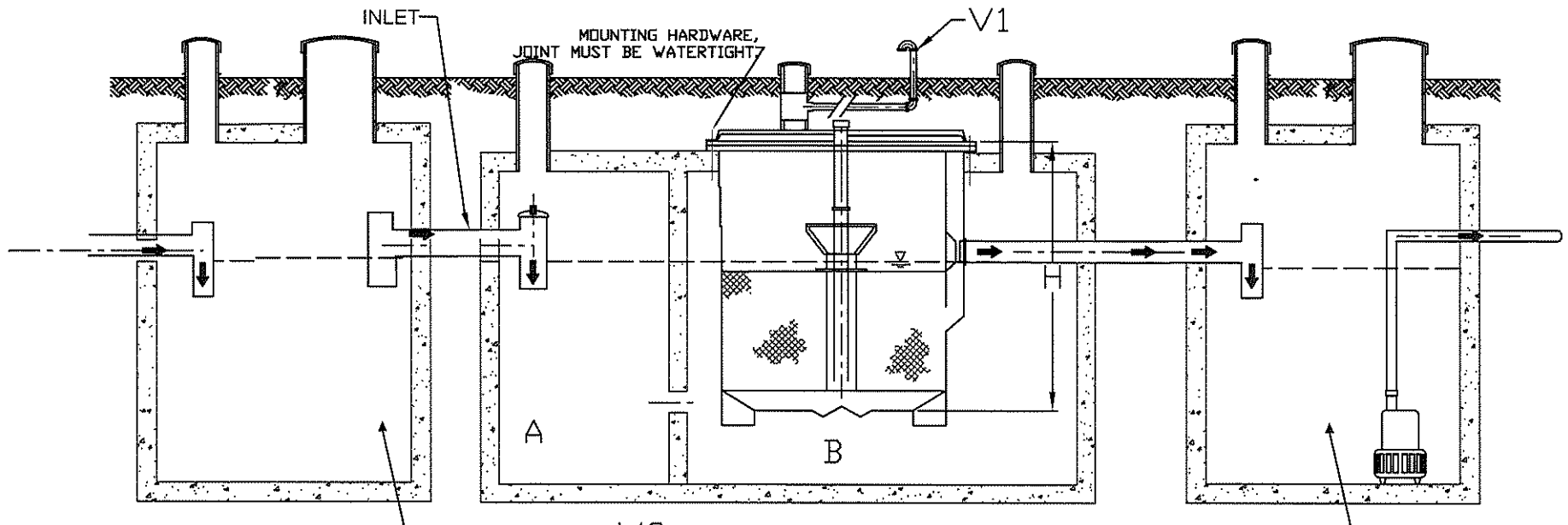
State of Oregon  
Department of  
Environmental  
Quality



- Notes:
- The inlet will not be interfered with.
  - The outlet tee will be removed to allow the FAST® treatment system outlet to be installed properly.
  - See Willamette Graystone Tank drawing "1000 Gallon Clamshell Septic Tank" for detailed tank dimensions.
  - All exterior pipe size as per Oregon requirements.
  - The volume of the septic and dosing tank will be as required in OAR 340-071.
  - All connections into and out of pumping system shall be sealed and water tight.
  - The pumping system must be properly vented.
  - All electrical connections shall meet local codes.
  - Reference "Short-FAST-Module-Procedure" and MicroFAST drawings for additional information.

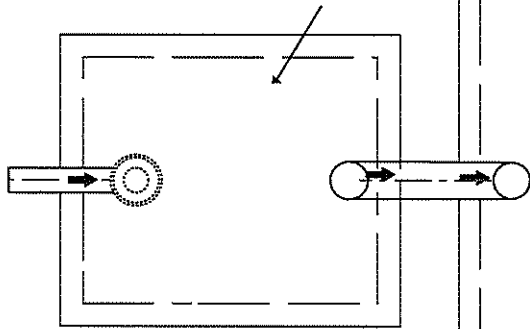
THE INFORMATION CONTAINED IN THIS DRAWING IS THE SOLE PROPERTY OF BIO-MICROBICS INC. ANY REPRODUCTION IN PART OR AS A WHOLE WITHOUT THE WRITTEN PERMISSION OF BIO-MICROBICS INC. IS PROHIBITED. DESIGN AND INVENTION RIGHTS ARE RESERVED. IN THE INTEREST OF TECHNOLOGICAL ADVANCEMENT, ALL PRODUCTS ARE SUBJECT TO DESIGN AND/OR MATERIAL CHANGE WITHOUT NOTICE.

DO NOT SCALE UNLESS NOTED DIMENSIONS ARE IN INCHES (CENTIMETERS), TOLERANCES ± 0.02 IN/IN (± 0.05 CM/CM)			
WILLAMETTE MCF 0.75			
WEIGHT	ID	SITE	DRAWING NUMBER
NAME	DATE	A	Distribution Tank
DAWN CTC	8/11/2009		
CHECKED	FR	7/23/2013	REVISED 7/23/2013
			REV. IN-02-R
SHEET			2 OF 3

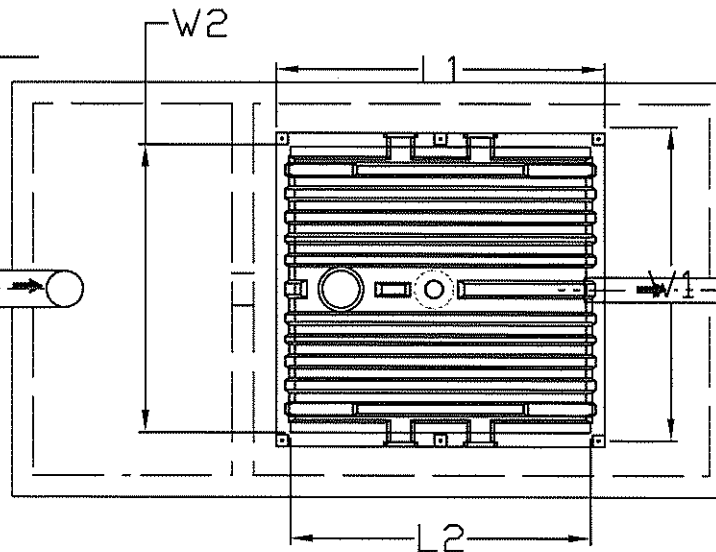
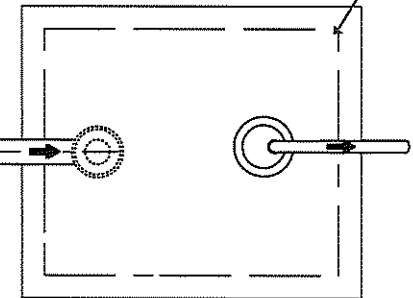


**ELEVATION**

SEPTIC TANK  
VOLUME APPROVED FOR  
USE IN OREGON



DOSING TANK  
VOLUME APPROVED FOR USE IN  
OREGON TO DRAINFIELD



**PLAN VIEW**

**NOTES**

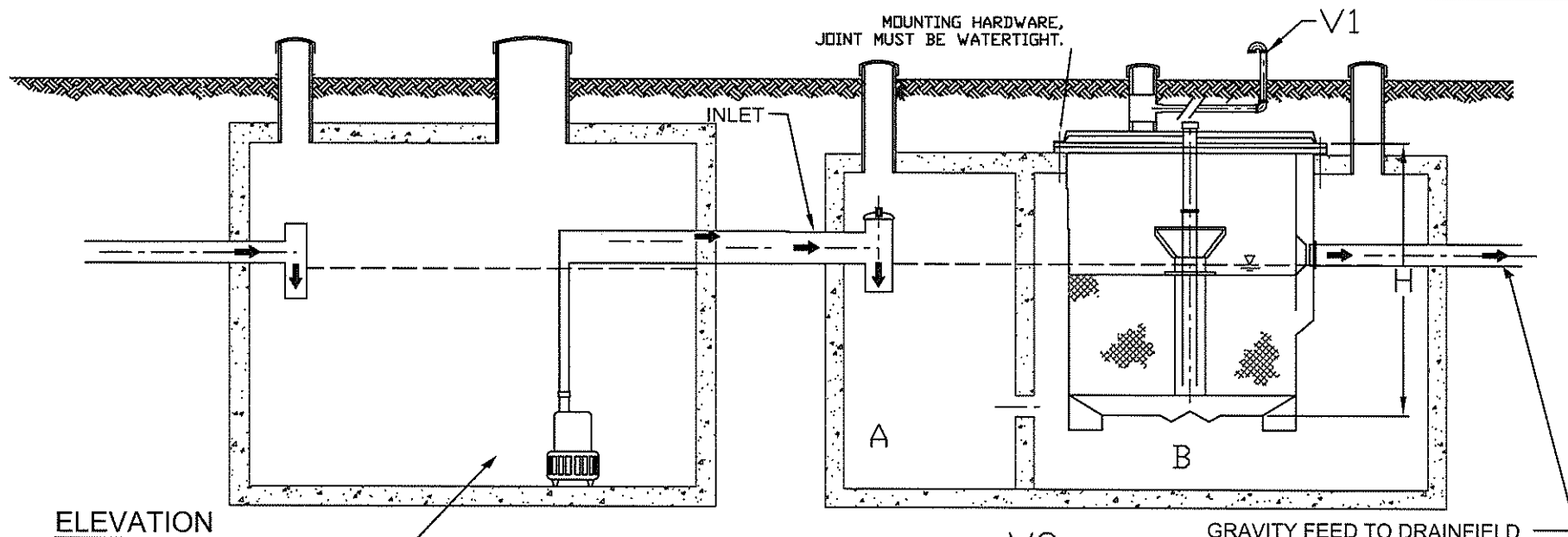
1. SECURE ORIGINAL 7" X 7" FOOT TO LEG EXTENSION BY PLACING TWO (2) SCREWS IN EACH SIDE OF THE LEG EXTENSION. EIGHT (8) SCREWS PER FOOT ARE INCLUDED AND SHOULD BE USED ON EACH OF THE FOUR (4) CORNER LEG EXTENSIONS.
2. ANCHOR THE LEG EXTENSIONS (4 CORNER LEGS ONLY) TO THE BASE OF THE TANK. PLACE BOLTS AT OPPOSITE CORNERS OF THE LEG EXTENSION BASE.
3. TO ELONGATE FOOT PAST THE PROVIDED 12", CUT THE 3.9" LEG EXTENSION IN THE CENTER INTO TWO SEPARATE PIECES. THEN CUT A SCH 40 PVC PIPE TO THE DESIRED LENGTH AND SLIP THE PIPE OVER THE TOP AND BOTTOM CUT SECTIONS OF THE LEG EXTENSIONS.
4. ATTACH PIPES WITH STAINLESS STEEL SCREWS.
5. THE AIR SUPPLY LINE INTO THE FAST® UNIT MUST BE SECURED SO AS TO PREVENT DAMAGE FROM PIPE VIBRATION.
6. SEE TABLE ON PAGE 5.,75,9,15 FAST UNITS DIM CHART OREGON

IN THE INTEREST OF TECHNOLOGICAL PROGRESS, ALL PRODUCTS ARE SUBJECT TO DESIGN AND/OR MATERIAL CHANGE WITHOUT NOTICE.

Date	04-23-08
<b>BIO-MICROBICS</b> INCORPORATED	
<small>© Bio-Microbics, Inc. 2008</small>	
<small>THE DESIGN AND DETAIL OF THIS SYSTEM IS THE PROPERTY OF BIO-MICROBICS, INC. AND IS NOT TO BE REPRODUCED OR TRANSMITTED IN ANY FORM OR BY ANY MEANS, ELECTRONIC OR MECHANICAL, INCLUDING PHOTOCOPYING, RECORDING, OR BY ANY INFORMATION STORAGE AND RETRIEVAL SYSTEM, WITHOUT PERMISSION IN WRITING FROM BIO-MICROBICS, INC. ALL RIGHTS ARE RESERVED.</small>	

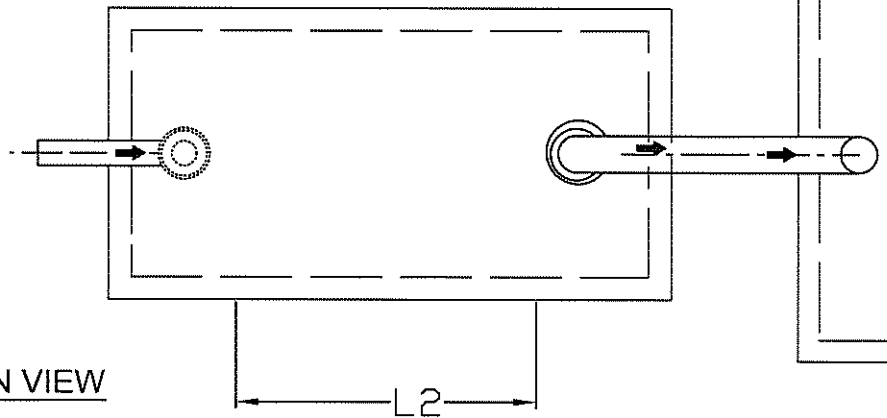
**OREGON  
FAST® SYSTEM**

Drawn by BMI

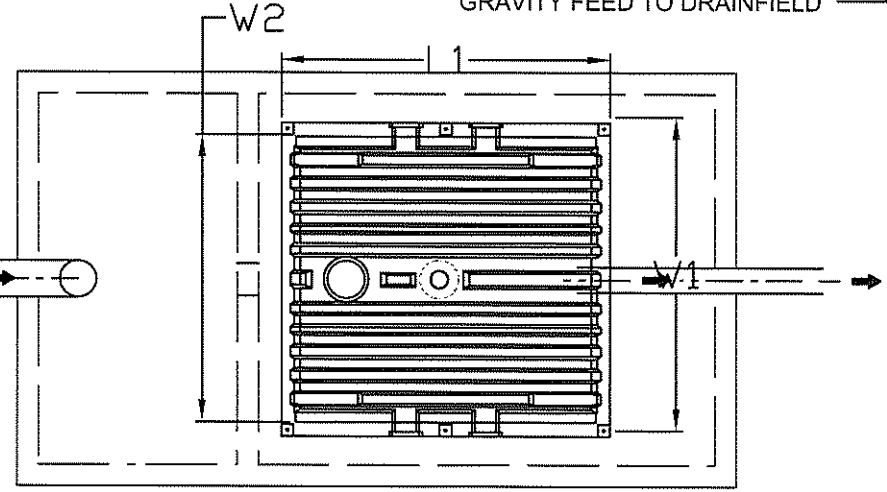


ELEVATION

DOSING SEPTIC TANK  
VOLUME APPROVED FOR  
USE IN OREGON



PLAN VIEW



NOTES

1. SECURE ORIGINAL 7" X 7" FOOT TO LEG EXTENSION BY PLACING TWO (2) SCREWS IN EACH SIDE OF THE LEG EXTENSION. EIGHT (8) SCREWS PER FOOT ARE INCLUDED AND SHOULD BE USED ON EACH OF THE FOUR (4) CORNER LEG EXTENSIONS.
2. ANCHOR THE LEG EXTENSIONS (4 CORNER LEGS ONLY) TO THE BASE OF THE TANK. PLACE BOLTS AT OPPOSITE CORNERS OF THE LEG EXTENSION BASE.
3. TO ELONGATE FOOT PAST THE PROVIDED 12", CUT THE 3.9" LEG EXTENSION IN THE CENTER INTO TWO SEPARATE PIECES. THEN CUT A SCH 40 PVC PIPE TO THE DESIRED LENGTH AND SLIP THE PIPE OVER THE TOP AND BOTTOM CUT SECTIONS OF THE LEG EXTENSIONS.
4. ATTACH PIPES WITH STAINLESS STEEL SCREWS.
5. THE AIR SUPPLY LINE INTO THE FAST® UNIT MUST BE SECURED SO AS TO PREVENT DAMAGE FROM PIPE VIBRATION.
6. SEE TABLE ON PAGE 5,7,5,9,15 FAST UNITS DIM CHART OREGON

IN THE INTEREST OF TECHNOLOGICAL PROGRESS, ALL PRODUCTS ARE SUBJECT TO DESIGN AND/OR MATERIAL CHANGE WITHOUT NOTICE.

Date 04-23-08

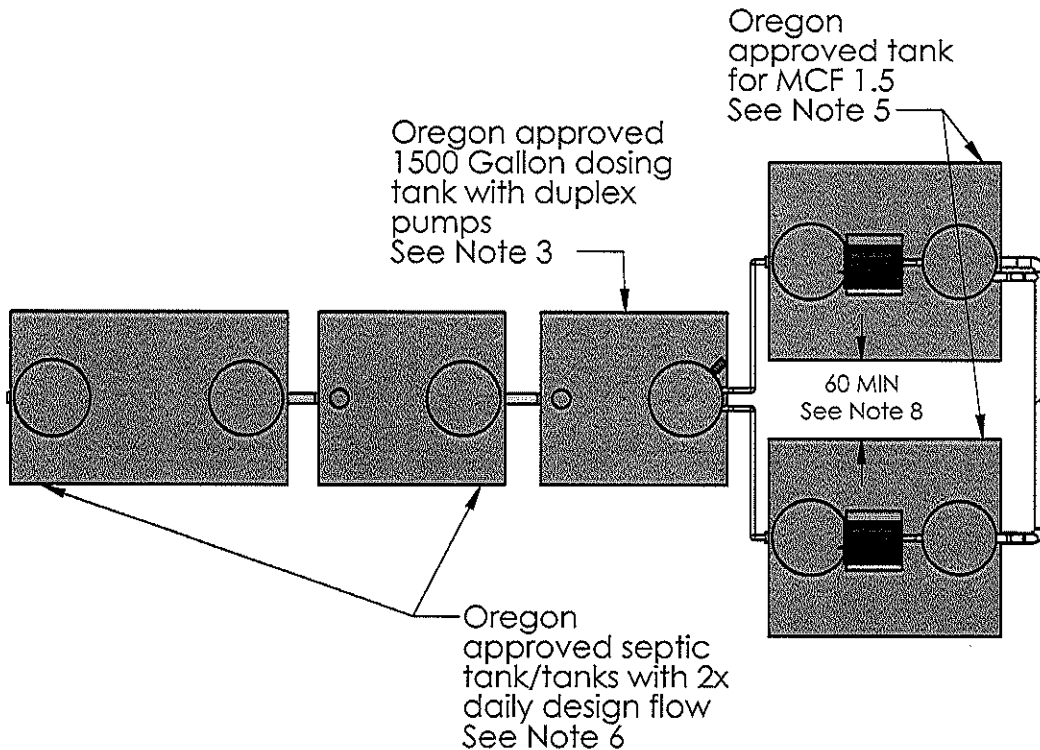
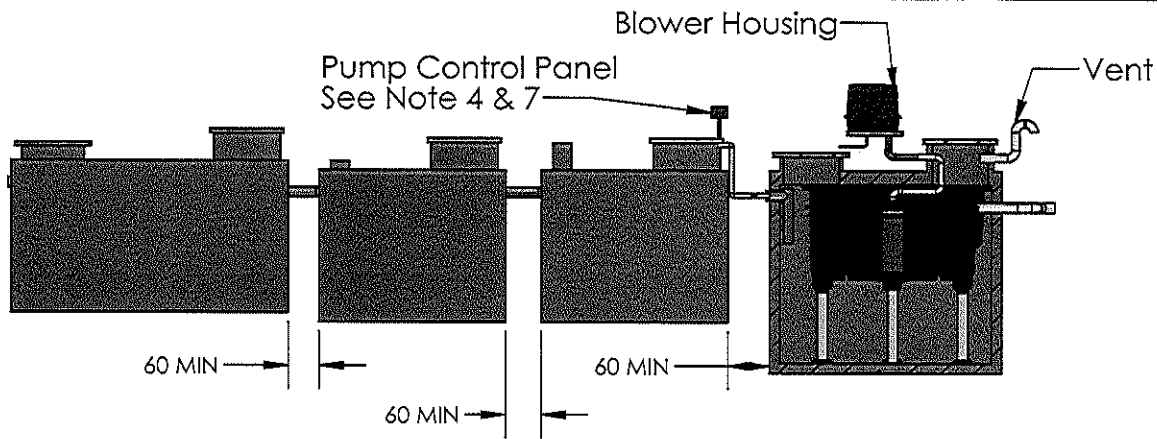
**BIO-MICROBICS**  
INCORPORATED

© Bio-Microbics, Inc. 2008

THE DESIGN AND DETAIL OF THIS DRAWING IS THE PROPERTY OF BIO-MICROBICS, INC. AND IS NOT TO BE USED EXCEPT IN CONNECTION WITH OUR BIOC. DESIGN AND INVENTION RIGHTS ARE RESERVED.

OREGON  
FAST® SYSTEM

Drawn by BMI



Notes:

1. All exterior pipe size as per Oregon requirements.
2. All connections shall be sealed and water tight.
3. The pumping system must be properly vented.
4. All electrical connections shall meet local codes.
5. Reference "Short-FAST-Module-Procedure" and Oregon Approved MicroFAST® drawings for additional information.
6. Total septic tankage shall be 2 X daily design flow. If multiple tanks are needed they can be either hooked in parallel and/or in series. If connected in series, the largest tank shall receive sewage first.
7. Blower panel and duplex pump panel shall be electrically connected per OAR 340-071-0345 (6)
8. Min Distance of 60 inches is required between FAST® tanks. Max distance is a function of proper pump sizing.

Gravity to Dispersal Field



DO NOT SCALE  
UNLESS NOTED  
DIMENSIONS  
ARE IN INCHES  
[CENTIMETERS]  
TOLERANCES  
± 0.02 IN/IN  
[± 0.05 CM/CM]

**BIO-MICROBICS**  
INCORPORATED

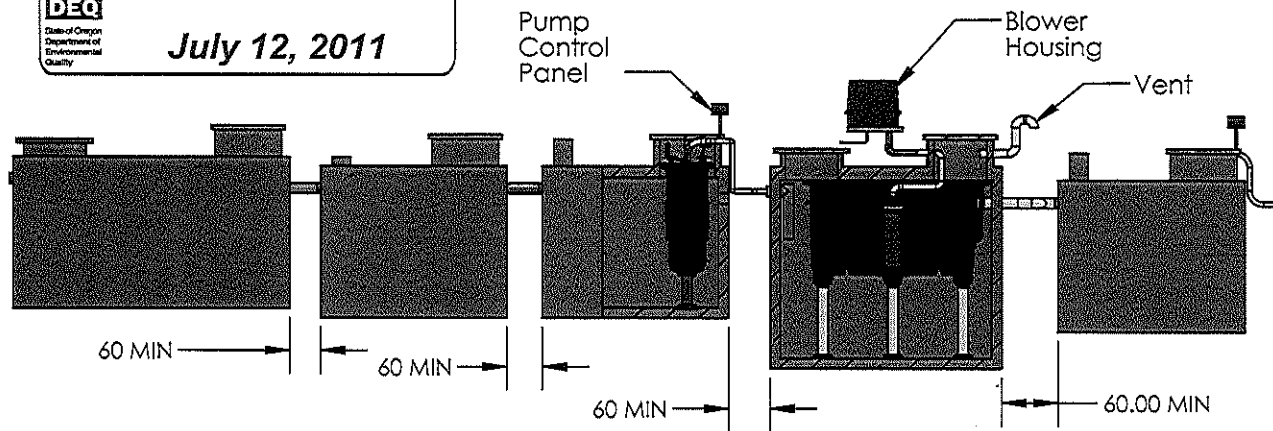
Dual 1.5 MCF

THE INFORMATION CONTAINED IN THIS DRAWING IS THE SOLE PROPERTY OF BIO-MICROBICS INC. ANY REPRODUCTION IN PART OR AS A WHOLE WITHOUT THE WRITTEN PERMISSION OF BIO-MICROBICS INC. IS PROHIBITED. DESIGN AND INVENTION RIGHTS ARE RESERVED. IN THE INTEREST OF TECHNOLOGICAL ADVANCEMENT, ALL PRODUCTS ARE SUBJECT TO DESIGN AND OR MATERIAL CHANGE WITHOUT NOTICE. BIO-MICROBICS © 2011

WEIGHT	lb	SIZE	DRAWING NUMBER	SHEET 1 OF 1
NAME	DATE	A	Dosing Septic	
DRAWN	CTC	8/11/2009	REVISED 7/6/2011	REV. INI-01-Z
CHECKED	AB	7/6/2011		



**APPROVED**  
 DEQ  
 State of Oregon  
 Department of  
 Environmental  
 Quality  
**July 12, 2011**

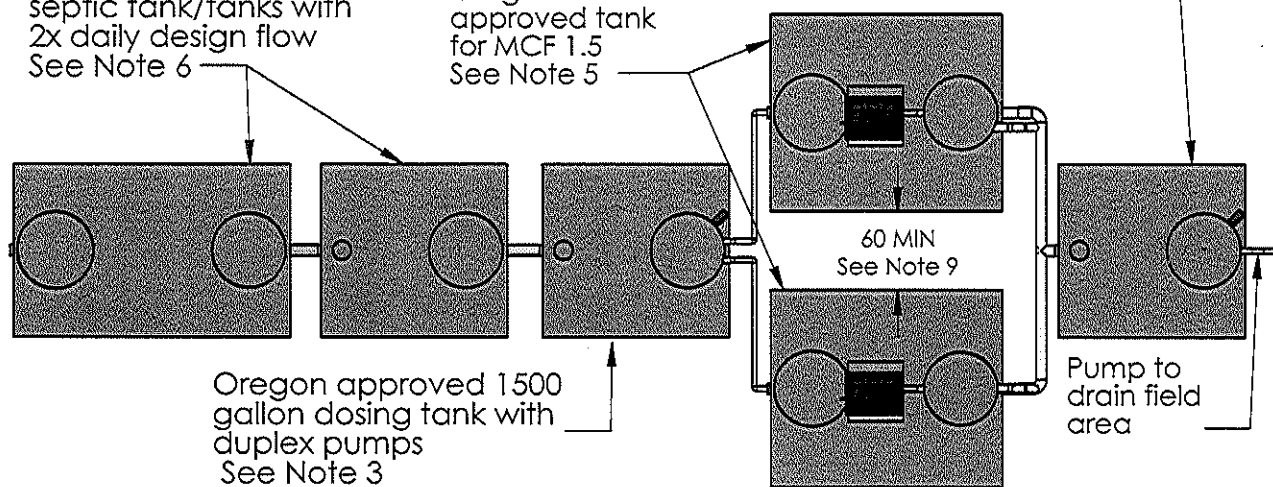


- Notes:
1. All exterior pipe size as per Oregon requirements.
  2. All connections shall be sealed and water tight.
  3. The pumping system must be properly vented.
  4. All electrical connections shall meet local codes.
  5. Reference "Short-FAST-Module-Procedure" and Oregon Approved MicroFAST® drawings for additional information.
  6. Total septic tankage shall be 2 X daily design flow. If multiple tanks are needed they can be either hooked in parallel and/or in series. If connected in series, the largest tank shall receive sewage first.
  7. Blower panel and duplex pump panel shall be electrically connected per OAR 340-071-0345 (6)
  8. Duplex pumps are required. Telemetry is required in 1000 gallon dosing tank. Telemetry not required if dosing tank is 1500 gallons or larger.
  9. Min distance of 60 inches is required between FAST® tanks. Max distance is a function of Proper pump sizing.

Oregon approved 1000 gallon dosing tank with duplex pumps and telemetry See Note 3 & 8

Oregon approved septic tank/tanks with 2x daily design flow See Note 6

Oregon approved tank for MCF 1.5 See Note 5



DO NOT SCALE  
 UNLESS NOTED  
 DIMENSIONS  
 ARE IN INCHES  
 [CENTIMETERS]  
 TOLERANCES  
 ± 0.02 IN/IN  
 [± 0.05 CM/CM]



Dual 1.5 MCF

THE INFORMATION CONTAINED IN THIS DRAWING IS THE SOLE PROPERTY OF BIO-MICROBICS INC. ANY REPRODUCTION IN PART OR AS A WHOLE WITHOUT THE WRITTEN PERMISSION OF BIO-MICROBICS INC. IS PROHIBITED. DESIGN AND INVENTION RIGHTS ARE RESERVED. IN THE INTEREST OF TECHNOLOGICAL ADVANCEMENT, ALL PRODUCTS ARE SUBJECT TO DESIGN AND OR MATERIAL CHANGE WITHOUT NOTICE. BIO-MICROBICS © 2011

WEIGHT	lb	SIZE	DRAWING NUMBER	SHEET 2 OF 2
NAME	DATE	A	Distribution Tank	
DRAWN	CTC 8/11/2009			
CHECKED	AB 7/6/2011		REVISED 7/6/2011 REV. INI-01-Z	