

# AdvanTex® AXN - UV Discharge Options (Example)

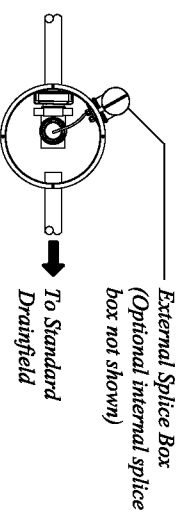
## Only for use following Mode 3 configurations

**Note:**

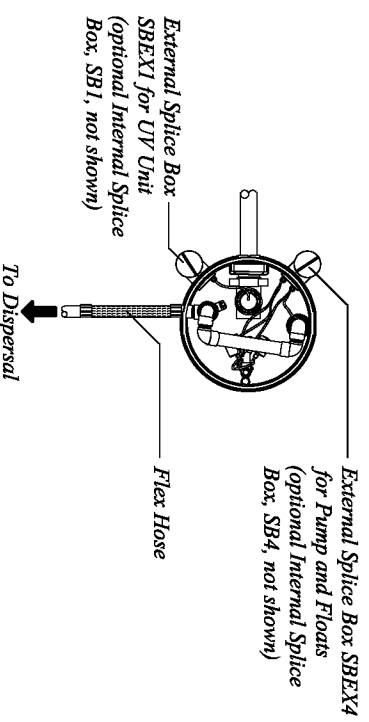
1-pod systems: use any option

2-pod systems: use any option (with pump basin, 30"Ø required)

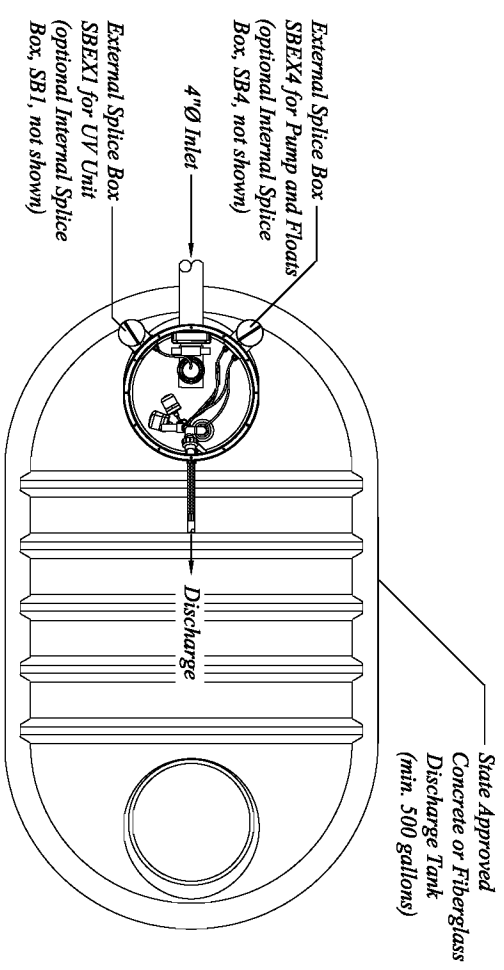
3-pod systems: use gravity discharge or discharge tank option



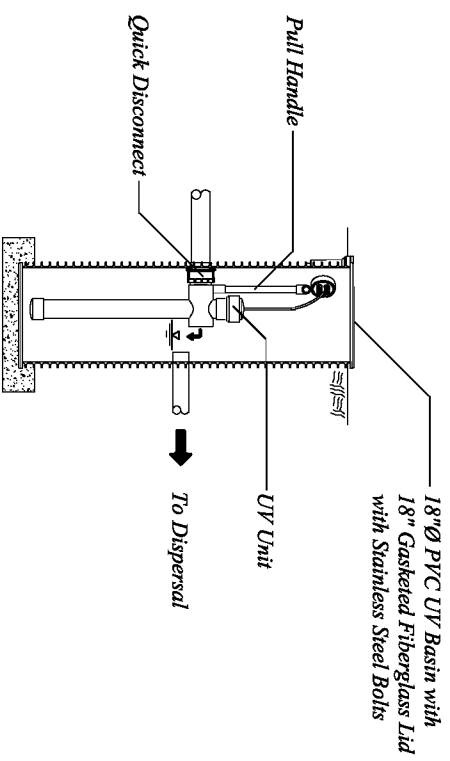
**UV Basin: Gravity Discharge Option**  
Top View



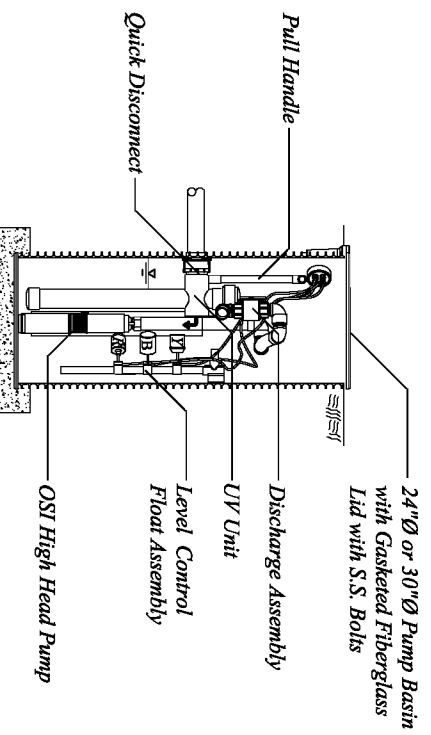
**UV Basin: Pump Discharge Option**  
Top View



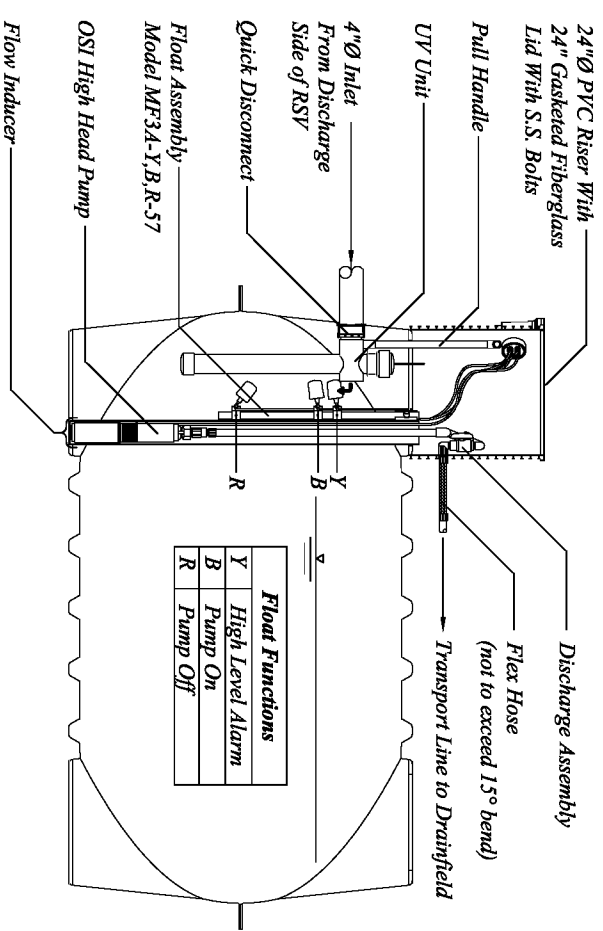
**UV Discharge Tank Option**  
Top View



**UV Basin: Gravity Discharge Option**  
Side View



**UV Basin: Pump Discharge Option**  
Side View



**UV Discharge Tank Option**  
Side View

Float Functions	
Y	High Level Alarm
B	Pump On
R	Pump Off



Graphic Scale

Title: **AdvanTex® - AXN UV Discharge Options**

Document # **NDW-ATX-OR-21**

Date: **8/29/07**

Scale: **As Shown**

Designed By: **ENGINEERING**

Drawn By: **BEN SMITH**

Approved By: **DARREN SIMMIE**

Drawing: **1 OF 1**

Date Approved: **8/29/07**

Revision: **A-04**

U.S. Patents-4,439,323  
5,492,635-6,372,137-5,360,556  
5,980,748-5,531,894- 5,480,561  
Other Patents Pending  
© 2005 Orenco Systems®, Inc



Orenco Systems®  
Incorporated