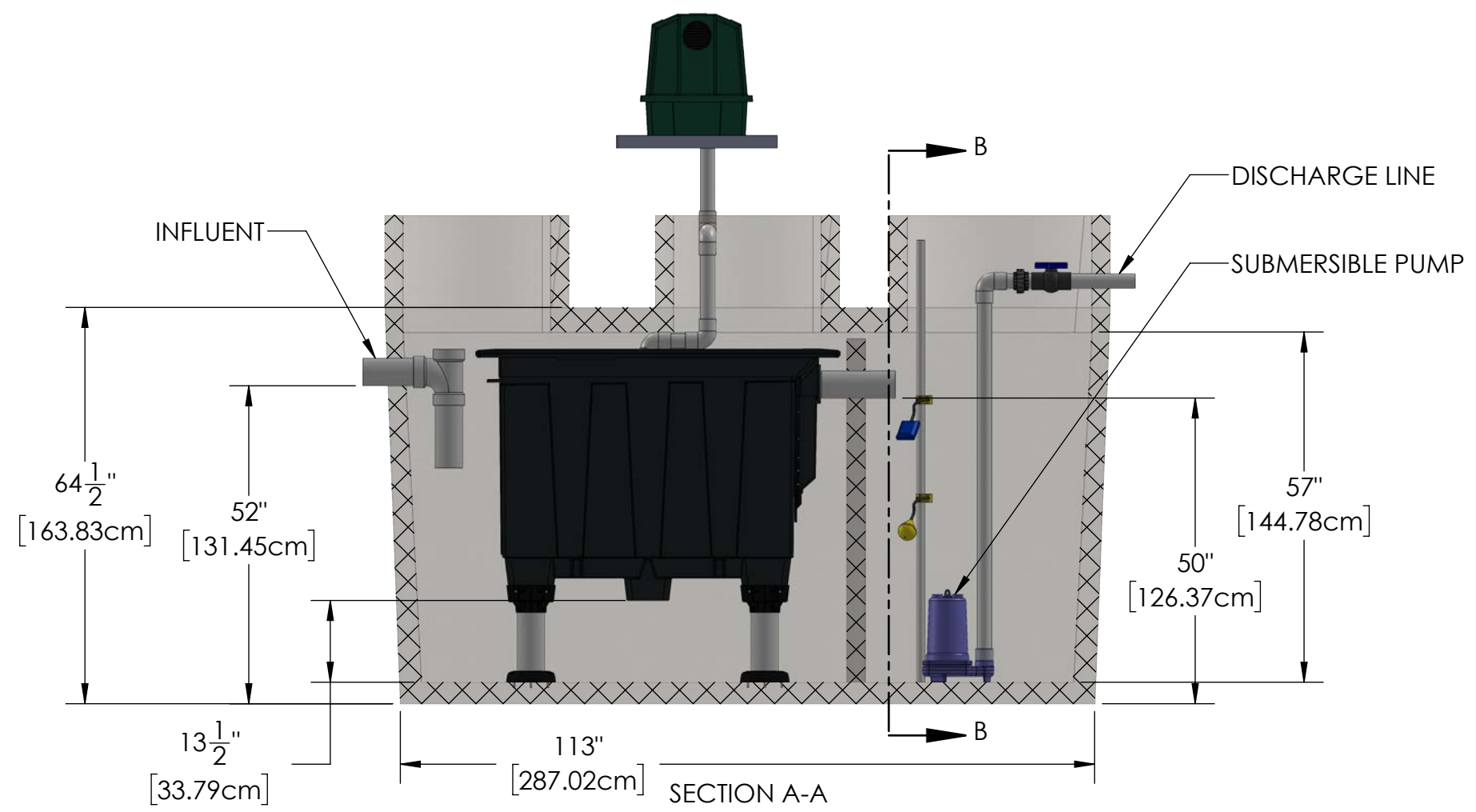
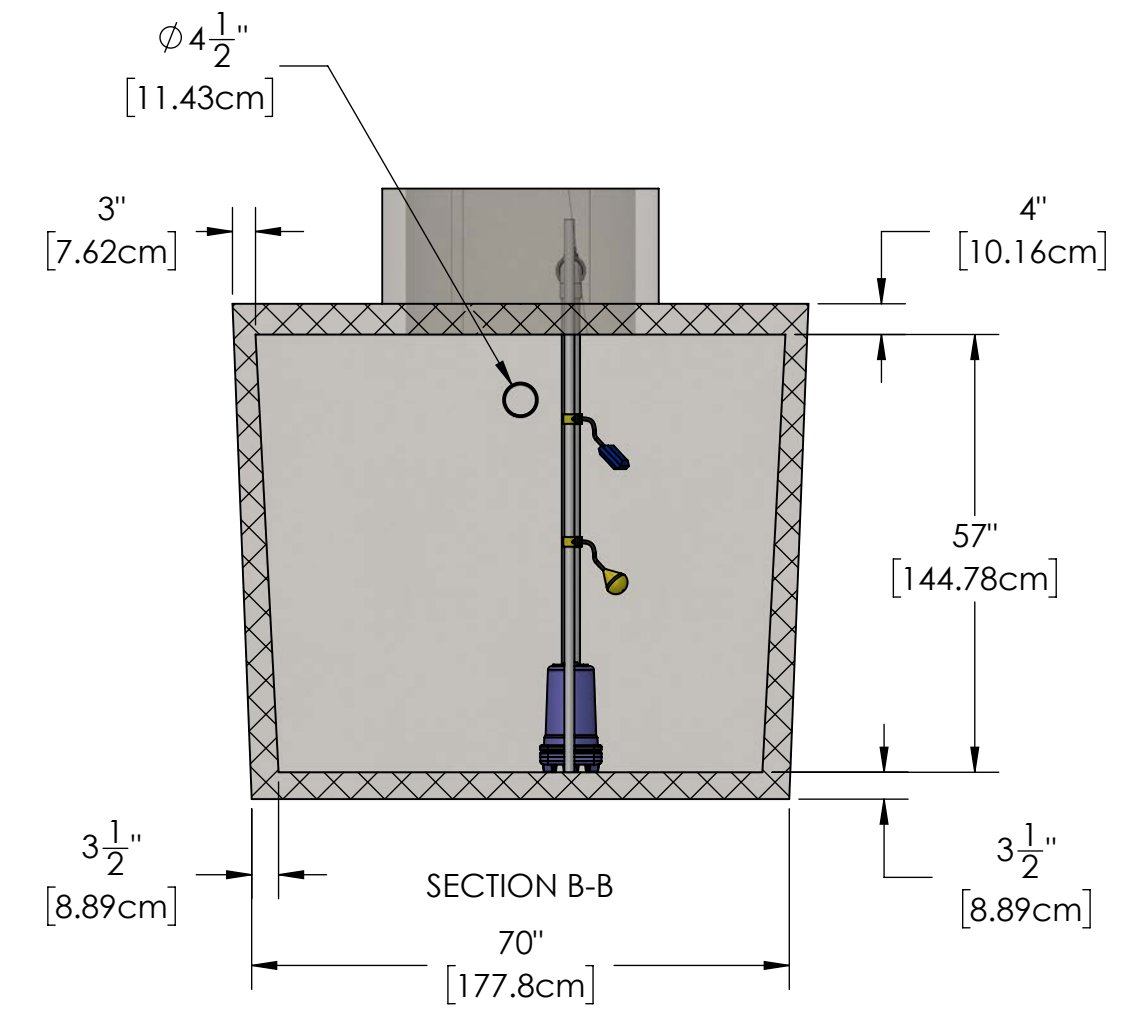
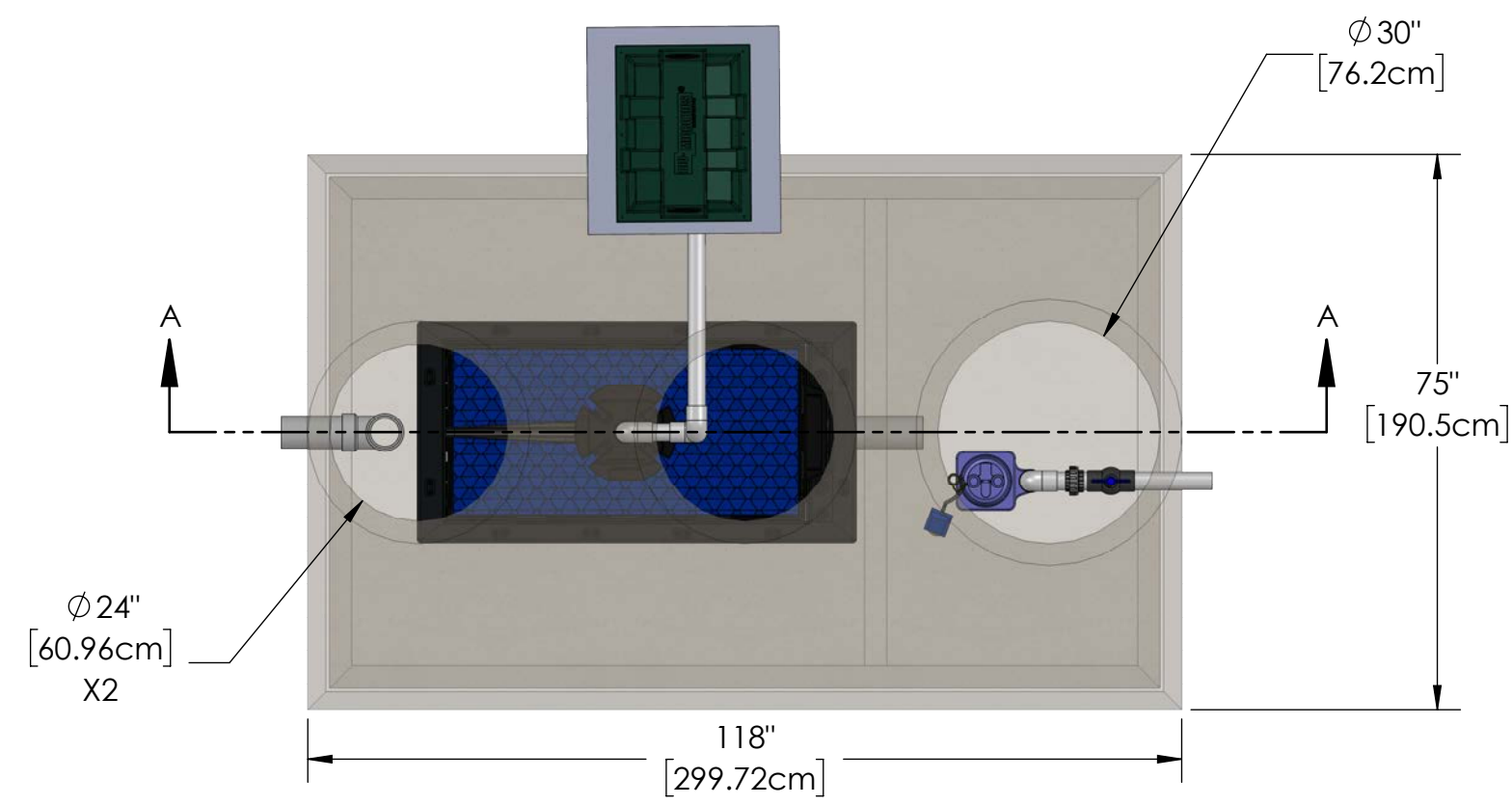

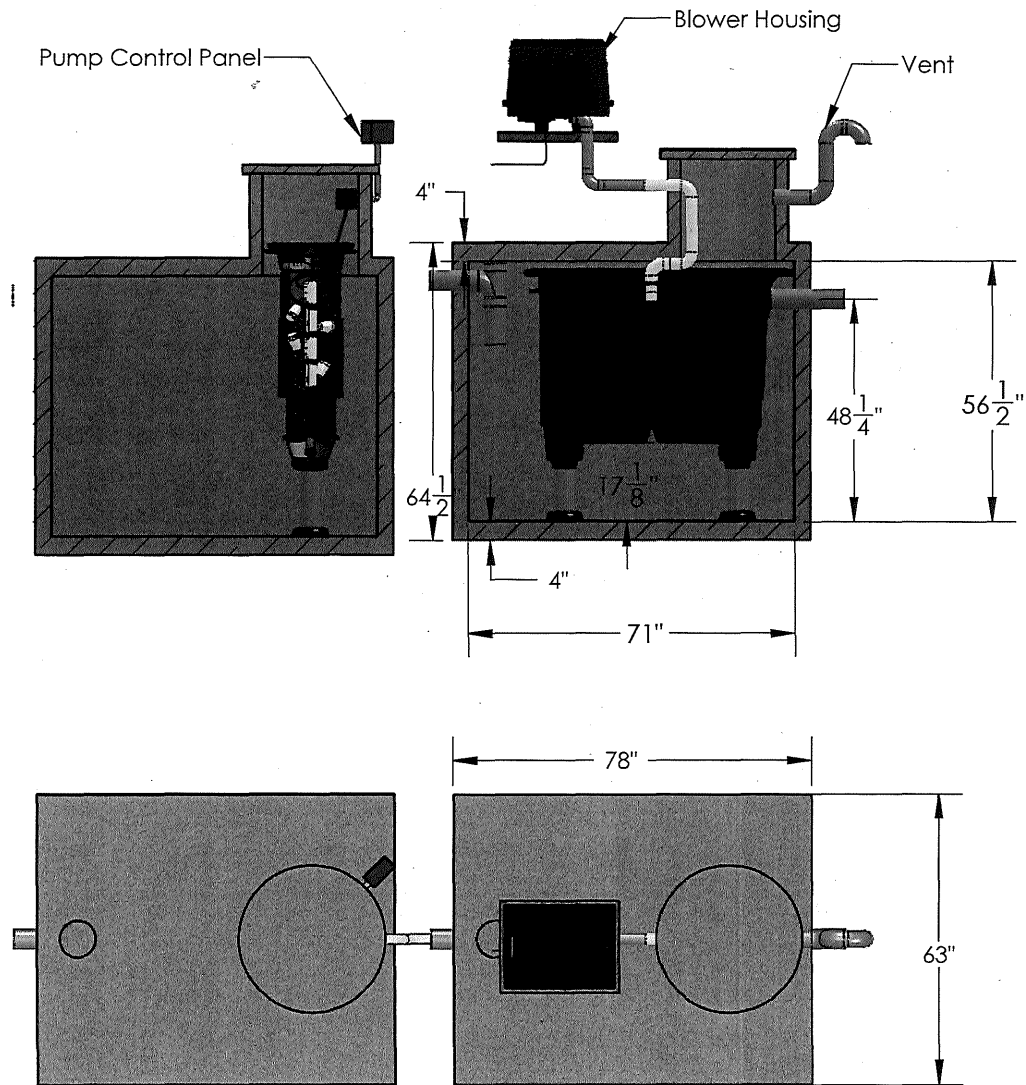


APPROVED
 By Randy Trox, REHS at 1:59 pm, Apr 24, 2020

Unit preceded by Oregon-approved septic tank



PROPRIETARY AND CONFIDENTIAL THE INFORMATION CONTAINED IN THIS DRAWING IS THE SOLE PROPERTY OF BIO-MICROBICS, INC.. ANY REPRODUCTION IN PART OR AS A WHOLE WITHOUT THE WRITTEN PERMISSION OF BIO-MICROBICS, INC. IS PROHIBITED. DO NOT SCALE DRAWING	UNLESS OTHERWISE SPECIFIED DIMENSIONS ARE IN INCHES AND TOLERANCES ARE AS FOLLOWS X° ± 1° .X ± .50 .XX ± .25	 BETTER WATER. BETTER WORLD.™
	DRAWN BY: HRA	
SHEET 1 OF 1	DATE: 04/15/2020	PART NUMBER OREGON STD 0.5 LOWBOY
SCALE: 1:25	APPROVED BY: HRA	REV A
SIZE: B	APPROVED DATE: 04/15/2020	



Notes:

- The inlet will not be interfered with.
- The outlet tee will be removed to allow the FAST® treatment system outlet to be installed properly.
- See Willamette Graystone Tank drawing "1000 Gallon Clamshell Septic Tank" for detailed tank dimensions.
- All exterior pipe size as per Oregon requirements.
- The volume of the septic and dosing tank will be as required in OAR 340-071.
- All connections into and out of pumping system shall be sealed and water tight.
- The pumping system must be properly vented.
- All electrical connections shall meet local codes.
- Reference "Short-FAST-Module-Procedure" and MicroFAST drawings for additional information.

DO NOT SCALE
UNLESS NOTED
DIMENSIONS
ARE IN INCHES
[CENTIMETERS]
TOLERANCES
± 0.02 IN/IN
[± 0.05 CM/CM]



Willamette MCF 0.5

WEIGHT	lb	SIZE	DRAWING NUMBER	SHEET 1 OF 3
NAME	DATE	A	Dosing Septic	
DRAWN	CTC 8/11/2009			
CHECKED	PF 7/23/2013	REVISED 7/23/2013	REV. INF-02-R	

THE INFORMATION CONTAINED IN THIS DRAWING IS THE SOLE PROPERTY OF BIO-MICROBICS INC. ANY REPRODUCTION IN PART OR AS A WHOLE WITHOUT THE WRITTEN PERMISSION OF BIO-MICROBICS INC. IS PROHIBITED. DESIGN AND INVENTION RIGHTS ARE RESERVED. IN THE INTEREST OF TECHNOLOGICAL ADVANCEMENT, ALL PRODUCTS ARE SUBJECT TO DESIGN AND OR MATERIAL CHANGE WITHOUT NOTICE.

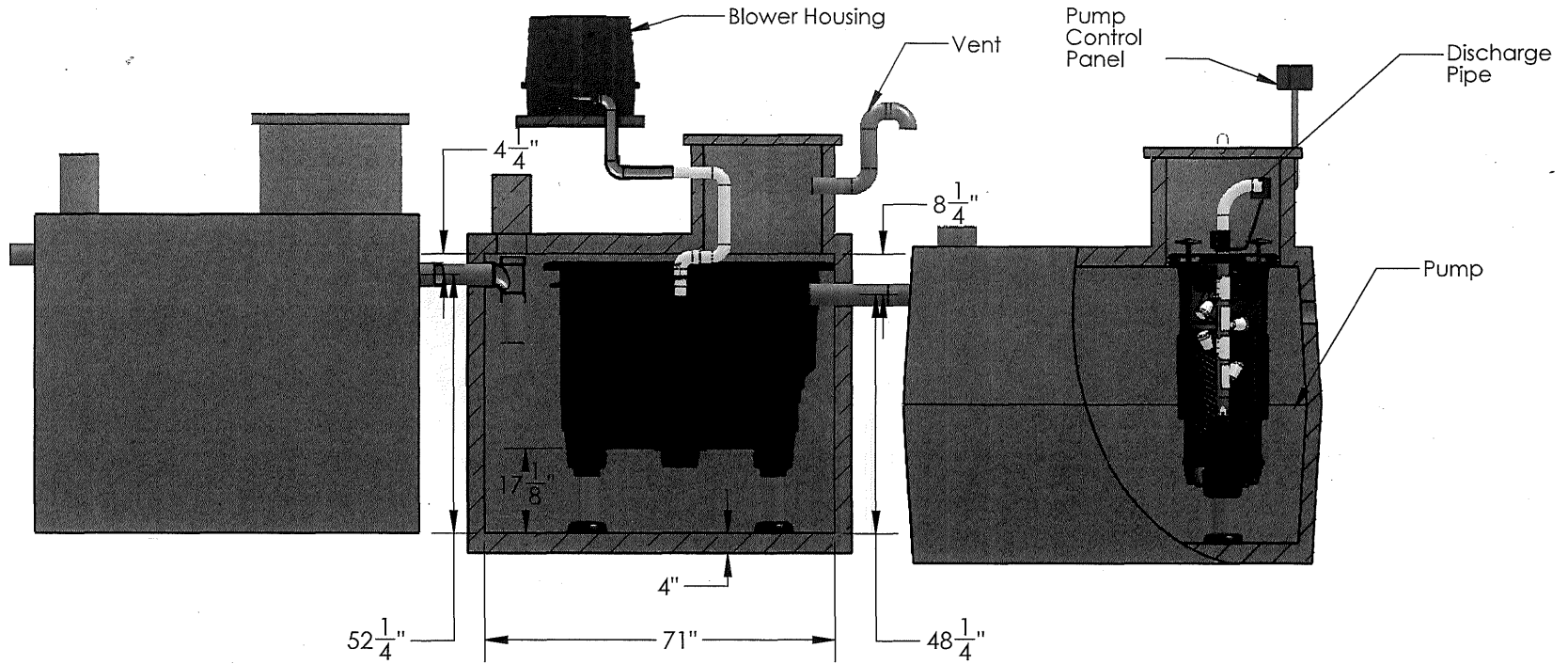
BIO-MICROBICS © 2013

Approved

August 23, 2013

DEQ

State of Oregon
Department of
Environmental
Quality



Notes:

- The inlet will not be interfered with.
- The outlet tee will be removed to allow the FAST® treatment system outlet to be installed properly.
- See Willamette Graystone Tank drawing "1000 Gallon Clamshell Septic Tank" for detailed tank dimensions.
- All exterior pipe size as per Oregon requirements.
- The volume of the septic and dosing tank will be as required in OAR 340-071.
- All connections into and out of pumping system shall be sealed and water tight.
- The pumping system must be properly vented.
- All electrical connections shall meet local codes.
- Reference "Short-FAST-Module-Procedure" and MicroFAST drawings for additional information.

DO NOT SCALE
UNLESS NOTED
DIMENSIONS
ARE IN INCHES
[CENTIMETERS]
TOLERANCES
± 0.02 IN/IN
[± 0.05 CM/CM]



Willamette MCF 0.5

THE INFORMATION CONTAINED IN THIS DRAWING IS THE SOLE PROPERTY OF BIO-MICROBICS INC. ANY REPRODUCTION IN PART OR AS A WHOLE WITHOUT THE WRITTEN PERMISSION OF BIO-MICROBICS INC. IS PROHIBITED. DESIGN AND INVENTION RIGHTS ARE RESERVED. IN THE INTEREST OF TECHNOLOGICAL ADVANCEMENT, ALL PRODUCTS ARE SUBJECT TO DESIGN AND OR MATERIAL CHANGE WITHOUT NOTICE.

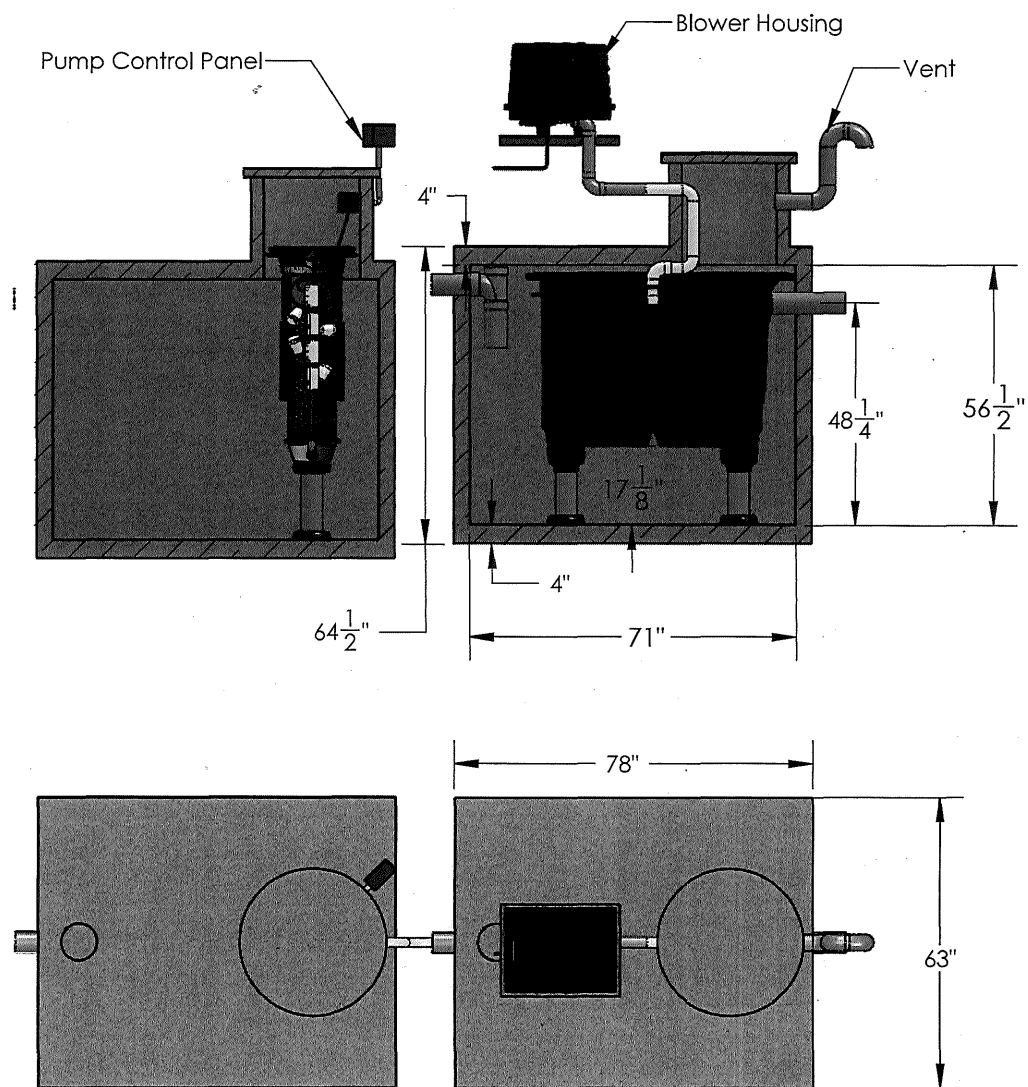
BIO-MICROBICS © 2013

WEIGHT	lb	SIZE	DRAWING NUMBER	SHEET 2 OF 3
NAME	DATE	A	Distribution Tank	
DRAWN	CTC	8/11/2009	REVISED 7/23/2013	
CHECKED	PF	7/23/2013	REV. INI-02-R	



DEQ

State of Oregon
Department of
Environmental
Quality



Notes:

- The inlet will not be interfered with.
- The outlet tee will be removed to allow the FAST® treatment system outlet to be installed properly.
- See Willamette Graystone Tank drawing "1000 Gallon Clamshell Septic Tank" for detailed tank dimensions.
- All exterior pipe size as per Oregon requirements.
- The volume of the septic and dosing tank will be as required in OAR 340-071.
- All connections into and out of pumping system shall be sealed and water tight.
- The pumping system must be properly vented.
- All electrical connections shall meet local codes.
- Reference "Short-FAST-Module-Procedure" and MicroFAST drawings for additional information.

DO NOT SCALE
UNLESS NOTED
DIMENSIONS
ARE IN INCHES
[CENTIMETERS]
TOLERANCES
± 0.02 IN/IN
[± 0.05 CM/CM]



Willamette MCF 0.75

THE INFORMATION CONTAINED IN THIS DRAWING IS THE SOLE PROPERTY OF BIO-MICROBICS INC. ANY REPRODUCTION IN PART OR AS A WHOLE WITHOUT THE WRITTEN PERMISSION OF BIO-MICROBICS INC. IS PROHIBITED. DESIGN AND INVENTION RIGHTS ARE RESERVED. IN THE INTEREST OF TECHNOLOGICAL ADVANCEMENT, ALL PRODUCTS ARE SUBJECT TO DESIGN AND OR MATERIAL CHANGE WITHOUT NOTICE.

BIO-MICROBICS © 2013

WEIGHT	lb	SIZE	DRAWING NUMBER	SHEET 1 OF 3
NAME	DATE	A	Dosing Septic	
DRAWN	CTC 8/11/2009			
CHECKED	PF 7/23/2013	REVISED 7/23/2013	REV. INF-02-R	

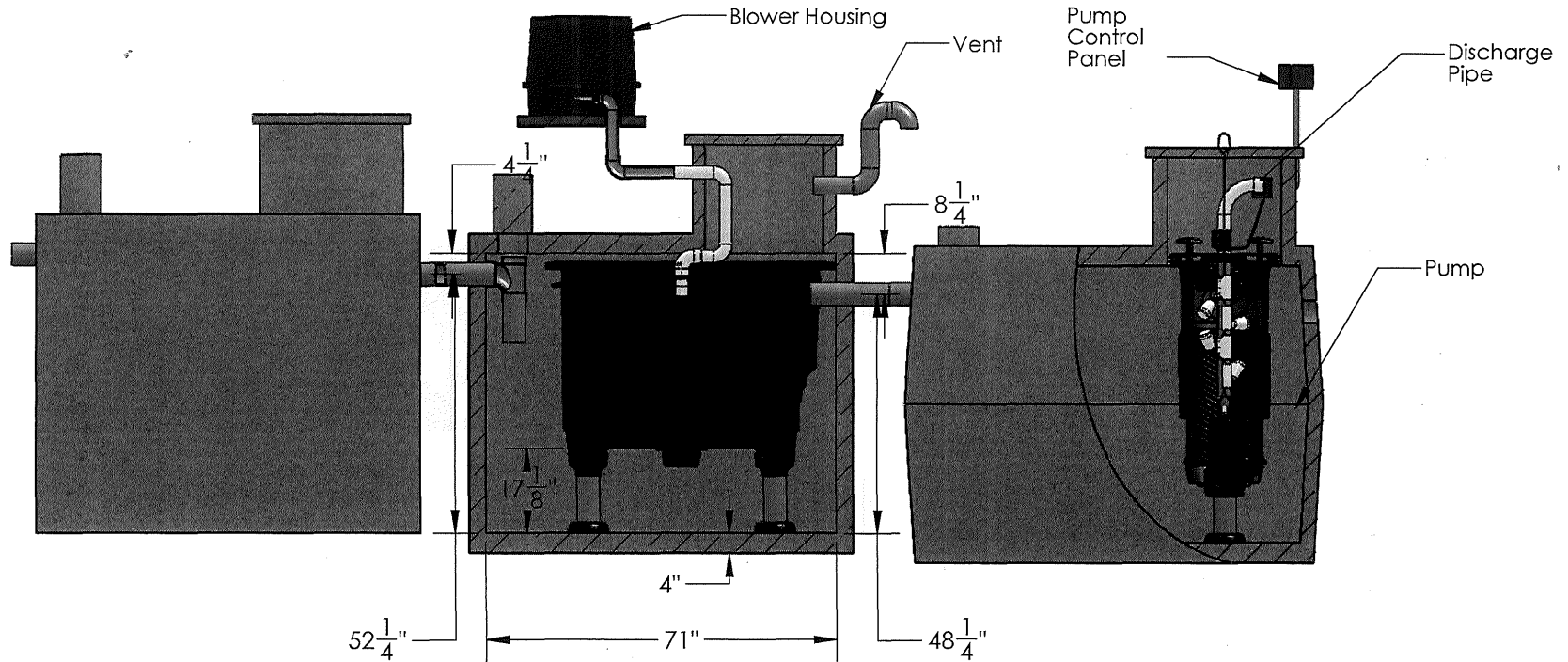
Approved

August 23, 2013



DEQ

State of Oregon
Department of
Environmental
Quality



Notes:

- The inlet will not be interfered with.
- The outlet tee will be removed to allow the FAST® treatment system outlet to be installed properly.
- See Willamette Graystone Tank drawing "1000 Gallon Clamshell Septic Tank" for detailed tank dimensions.
- All exterior pipe size as per Oregon requirements.
- The volume of the septic and dosing tank will be as required in OAR 340-071.
- All connections into and out of pumping system shall be sealed and water tight.
- The pumping system must be properly vented.
- All electrical connections shall meet local codes.
- Reference "Short-FAST-Module-Procedure" and MicroFAST drawings for additional information.

DO NOT SCALE
UNLESS NOTED
DIMENSIONS
ARE IN INCHES
[CENTIMETERS].
TOLERANCES
± 0.02 IN/IN
[± 0.05 CM/CM]



Willamette MCF 0.75

WEIGHT	lb	SIZE	DRAWING NUMBER	SHEET 2 OF 3
NAME		DATE	A Distribution Tank	
DRAWN	CTC	8/11/2009		
CHECKED	PF	7/23/2013	REVISED 7/23/2013	REV. INI-02-R

THE INFORMATION CONTAINED IN THIS DRAWING IS THE SOLE PROPERTY OF BIO-MICROBICS INC. ANY REPRODUCTION IN PART OR AS A WHOLE WITHOUT THE WRITTEN PERMISSION OF BIO-MICROBICS INC. IS PROHIBITED. DESIGN AND INVENTION RIGHTS ARE RESERVED. IN THE INTEREST OF TECHNOLOGICAL ADVANCEMENT, ALL PRODUCTS ARE SUBJECT TO DESIGN AND OR MATERIAL CHANGE WITHOUT NOTICE.

BIO-MICROBICS © 2013