

\*NOTE: THE VOLUME OF THE SEPTIC TANK WILL BE AS REQUIRED ON OAR 340-071-220 (3)  
 \*NOTE: ALL EXTERIOR PIPE SIZE AS PER OREGON REQUIREMENTS

CONFIGURATION 2

  
 DELTA ENVIRONMENTAL PRODUCTS, INC.  
 P. O. BOX 969 DENHAM SPRINGS, LA 70727

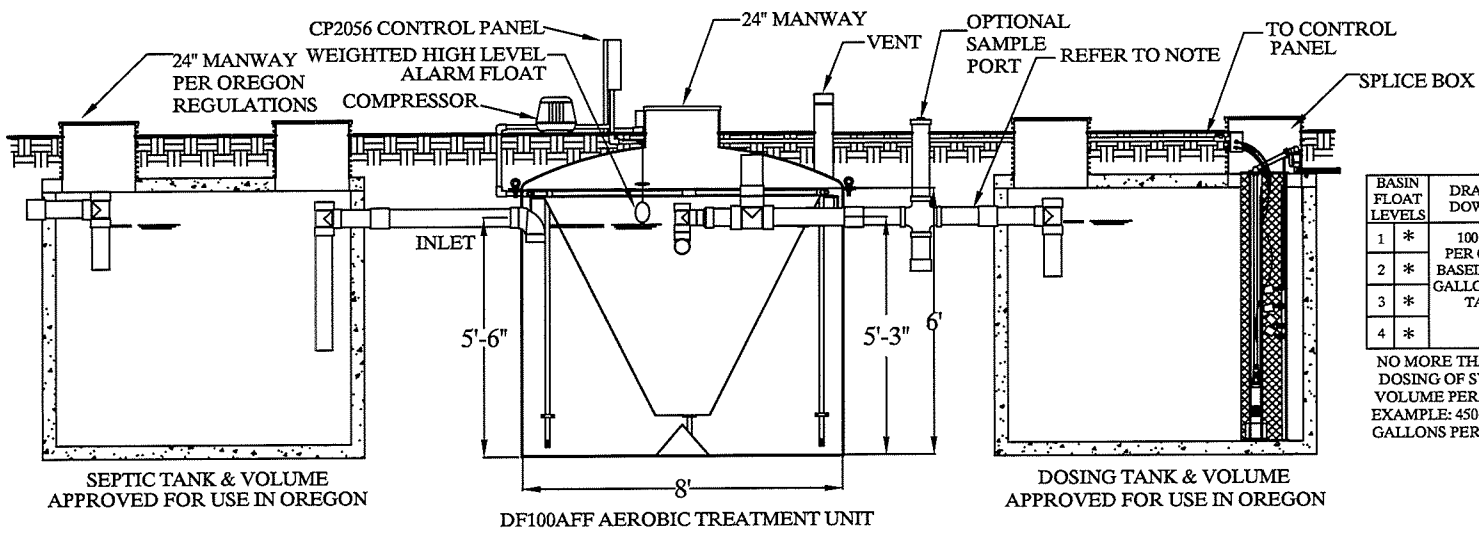
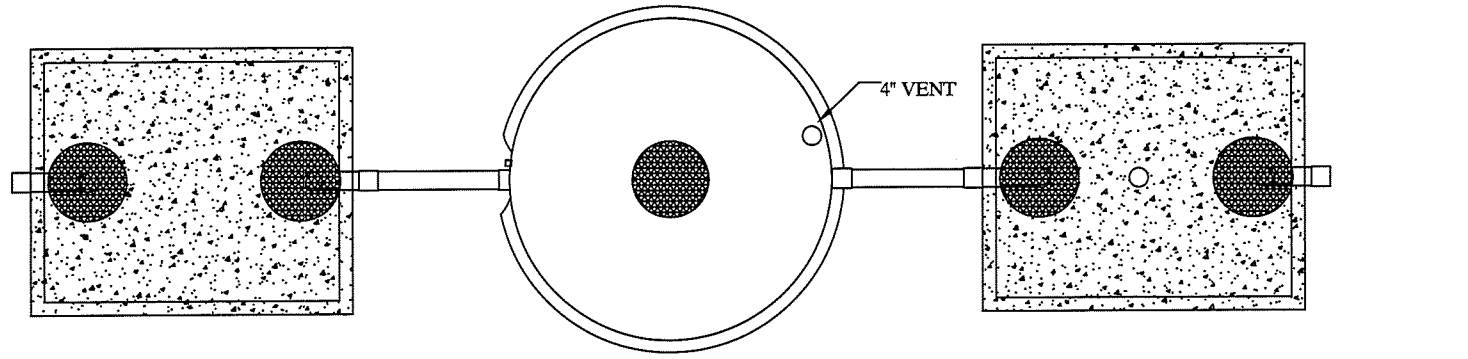
DELTA WHITewater 1,000GPD UNIT W/ OREGON APPROVED SEPTIC  
 TANK/DEP.5115 HIGH HEAD SCREEN PUMP VAULT

DWN BY:  
 B.LANDRY

DATE:  
 11/16/06

SCALE:  
 N.T.S.

DWG. NO.:  
 DEP248E



BASIN FLOAT LEVELS	DRAW DOWN *
1 *	100 GAL PER CYCLE BASED ON 500 GALLON PUMP TANK
2 *	
3 *	
4 *	


NO MORE THAN 20% DOSING OF SYSTEM VOLUME PER CYCLE  
 EXAMPLE: 450GPD=90 GALLONS PER CYCLE

PUMP CHART			
PUMP	ELEVATION	MAX. DISTANCE	MIN. PIPE SIZE
½ HP	30'	500'	min 3"
1 HP	100'	1000'	min 3"

- \*NOTE: ALL EXTERIOR PIPE SIZE AS PER OREGON REQUIREMENTS
- \*NOTE: THE VOLUME OF THE DOSING TANK WILL BE AS REQUIRED IN OAR 340-071-220(6)
- \*NOTE: THE VOLUME OF THE SEPTIC TANK WILL BE AS REQUIRED IN OAR 340-071-220(3)

30

CONFIGURATION 3

 DELTA ENVIRONMENTAL PRODUCTS, INC. P. O. BOX 969 DENHAM SPRINGS, LA 70727	<b>DELTA WHITEWATER 1,000GPD UNIT W/ OREGON APPROVED SEPTIC TANK &amp; DOSING TANK</b>	DWN BY: B.LANDRY	DATE: 05/09/05	SCALE: N.T.S.	DWG. NO.: DEP248F
---	--	---------------------	-------------------	------------------	----------------------