



# Oregon

Kate Brown, Governor

Department of Environmental Quality

Western Region Eugene Office

165 East 7th Avenue, Suite 100

Eugene, OR 97401

(541) 686-7838

FAX (541) 686-7551

TTY 711

September 16, 2016

Mike Cantanzaro  
Pentair Water, dba Delta Environmental  
8263 Florida BLVD.  
Denham Springs, LA 70726

RE: Ecopod® E-75-N-IM1060 Alternative Treatment  
Technology

Dear Mr. Catanzaro:

You applied to Oregon Department of Environmental Quality to list the above-referenced product as an approved Alternative Treatment Technology. DEQ has reviewed your application plans, specifications, and other required exhibits for the Ecopod® E-75-N-IM1060. The design flow rating is 750 gallons per day and your application was submitted to list as a **treatment standard 1** system.

You provided third party NSF/ANSI testing data from a certification organization whose accreditation is specific to onsite wastewater treatment products certifying the product complies with all applicable DEQ rules and regulations. DEQ has reviewed these materials for compatibility with the standards and criteria found in Oregon Administrative Rule 340-071-0345. I am pleased to advise you that DEQ has found the following ATT system manufactured by Delta Environmental to meet the approval criteria for treatment standard 1 when used as part of an onsite wastewater treatment system in Oregon:

- Ecopod® E-75-N-IM1060, 750 gallons per day (GPD) in two configurations

Your company is authorized to manufacture, market, and distribute the ATT system listed above, for use in Oregon, provided the following conditions are met:

1. You must manufacture the ATT in compliance with DEQ's rules, approved plans and design specifications. Alteration of the ATT system design that might affect system performance must be approved by an ANSI accredited, third-party testing and certification organization and DEQ.

2. The approved plans are labeled Delta Environmental Ecopod<sup>®</sup>, drawing number DEP248A, Rev B and stamped "Approved" by DEQ on September 16, 2016.
3. The ATT systems must be preceded by a septic tank or dosing septic tank approved for use in Oregon. Systems preceded by a septic tank must have either an effluent pump station or Oregon approved dosing tank following the ATT.
4. In the event of failure of electrical or mechanical components critical to the treatment process, the control panel must lockout effluent pump operation to prevent untreated or partially treated effluent from discharging to the absorption area. An audible and visual alarm must activate in the event of either a pump or air blower failure.
5. You must train and certify maintenance providers on system maintenance for these ATTs. Individuals installing your system, and regulators in the county of installation, must be trained prior to installation of your products in Oregon, in accordance with the approved plan included in your application.
6. The air blower must be installed near the control panel and no more than 100 feet from the ATT.
7. Delta Environmental products specifically applied for this ATT to be housed in an IM-1060 septic tank, manufactured by Infiltrator Systems, Inc. All Ecopod<sup>®</sup> systems must be installed in accordance with your installation manual requirements and the installation requirements of the tank manufacturer.
8. As the manufacturer of these products, it is your responsibility to assure that each assembled ATT system delivered to the construction site is water-tight. Assurance must be achieved by periodic testing of the ATT components for water-tightness at the manufacturing facility.
9. Service contracts and inspection/service visits must meet or exceed the requirements of OAR 340-071-0345(14).
10. Unless otherwise authorized by the Department, Delta Environmental must submit an annual manufacturer report. The report must include, but is not limited to:
  - A current list of each ATT sold in the State of Oregon for the reporting period, including the model number, serial number, and the property address where the ATT is located;
  - A current list of all maintenance providers certified by Delta Environmental; and
  - The material plan review fee in OAR 340-071-0140(5).
11. All other applicable rules and requirements within OAR 340-071 and 073 must be followed.

Each ATT is only approved for use at locations where the top loading will not exceed the engineering design parameters. ATTs proposed for use at other locations require an engineering analysis of the potential top loading, and may require the preparation of site-specific plans and specifications.

DEQ's decision to list this ATT as approved does not constitute an endorsement of the product. Moreover, DEQ is not responsible for any situation which may result from improper use or misapplication of your product.

If you have any questions regarding this letter, please contact Randy Trox, [Randall.trox@state.or.us](mailto:Randall.trox@state.or.us), or by phone at (541) 687-7338.

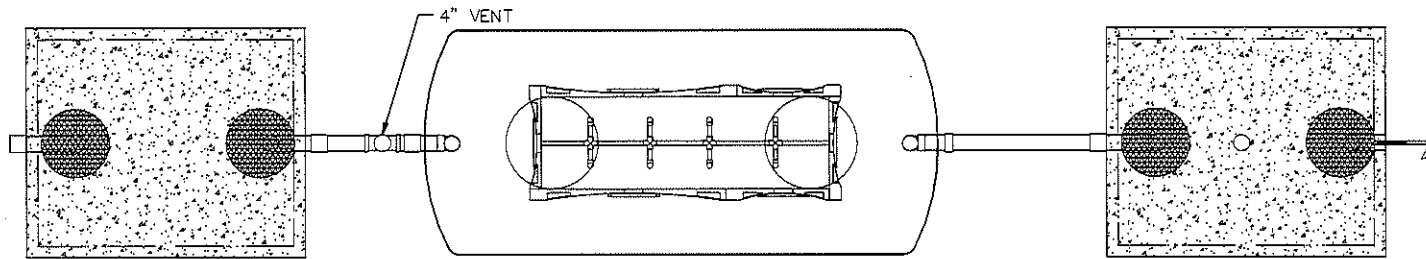
Sincerely,



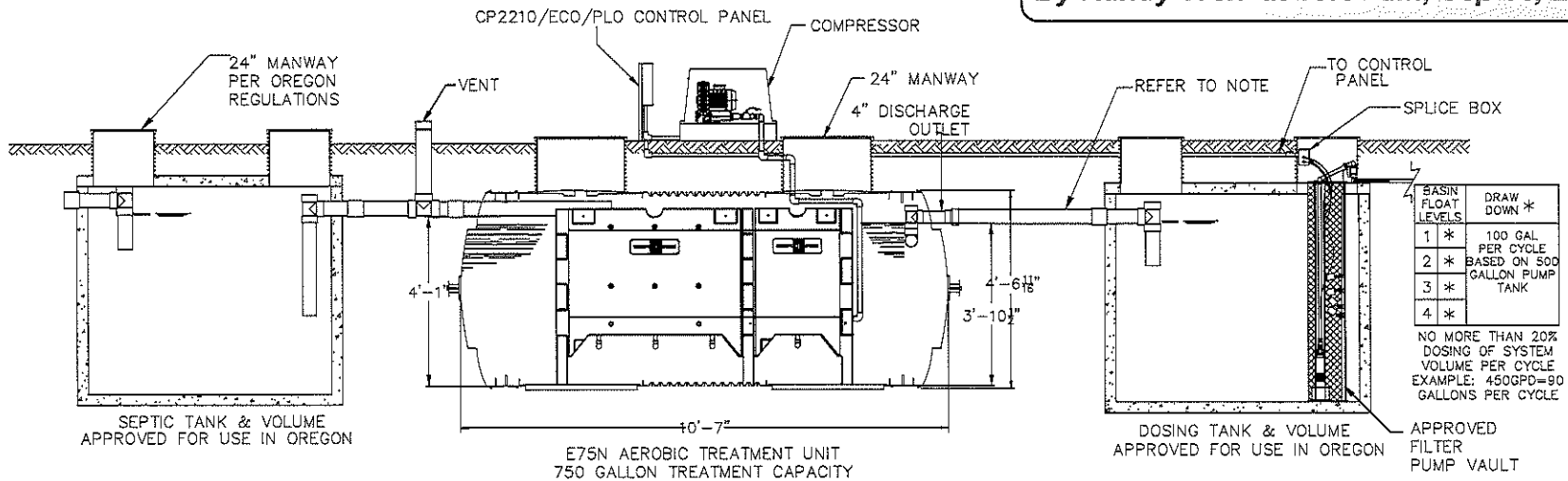
David Belyea, Manager  
Regional Environmental Solutions

Enclosures – approved plans

EC: All Contract County Offices  
All DEQ Direct Service Offices



**APPROVED**  
 By Randy Trox at 10:34 am, Sep 16, 2016



PUMP CHART			
PUMP	ELEVATION	MAX. DISTANCE	MIN. PIPE SIZE
1/2 HP	30'	500'	min 3"
1 HP	100'	1000'	min 3"

\*NOTE: ALL EXTERIOR PIPE SIZE AS PER OREGON REQUIREMENTS  
 \*NOTE: THE VOLUME OF THE DOSING TANK WILL BE AS REQUIRED IN OAR 340-071-220(6)  
 \*NOTE: THE VOLUME OF THE SEPTIC TANK WILL BE AS REQUIRED IN OAR 340-071-220(3)

CONFIGURATION 3



DELTA ECOPOD 750 GPD UNIT  
 W/ OREGON APPROVED SEPTIC TANK &  
 DOSING TANK

REV.	DATE	REVISION DESCRIPTION	BY

COMPANY CONFIDENTIAL: INFORMATION CONTAINED HEREIN IS CONFIDENTIAL. IT IS THE PROPERTY OF PENTAIR PUMP GROUP. IT IS TO BE USED SOLELY FOR THE PURPOSE PROVIDED, AND IT IS NOT TO BE DISCLOSED TO OTHERS WITHOUT THE PRIOR WRITTEN CONSENT OF PENTAIR PUMP GROUP.

PLOT SCALE  
 NTS

DRAWING NUMBER  
 DEP248A E75N

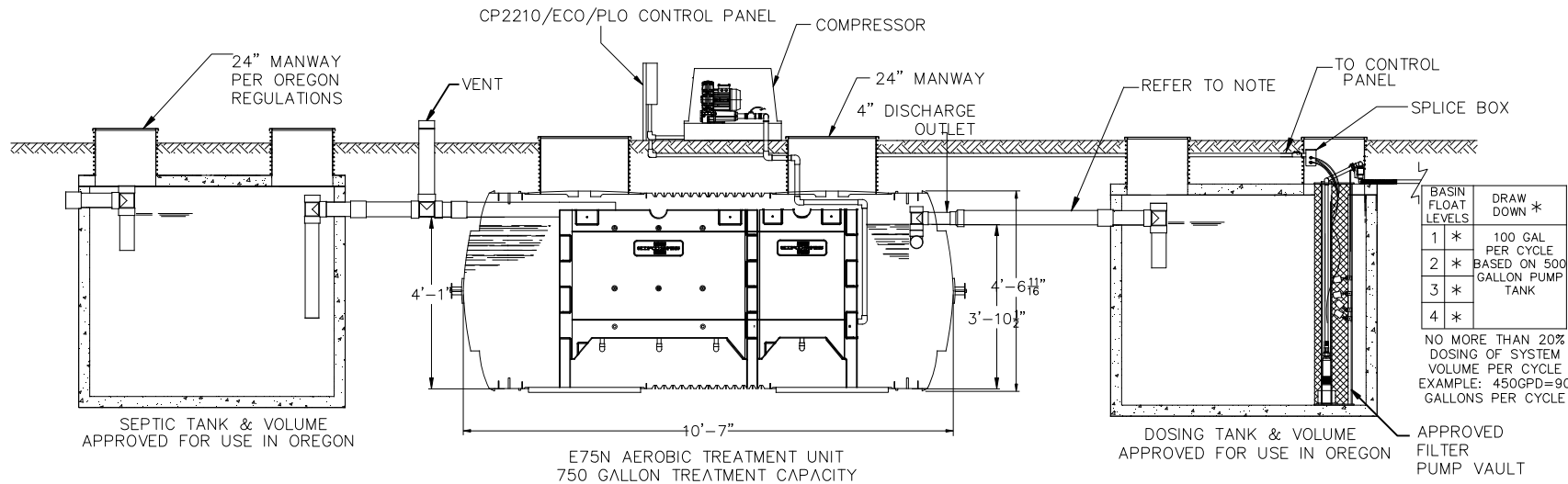
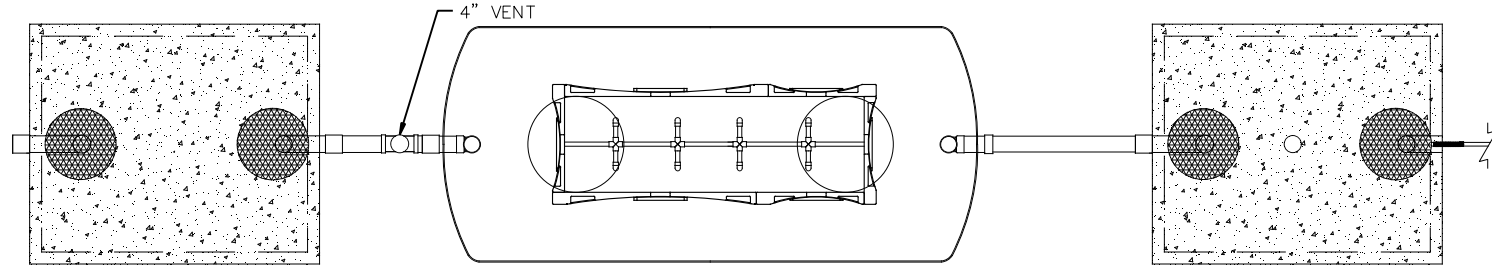
DRAWN BY  
 L.CUTRER

DATE  
 7/28/16

SHEET  
 OF  
 1 1

REV  
 B

Added 11/30/2021 to show alternate vent options

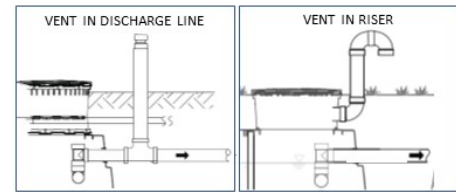


BASIN FLOAT LEVELS	DRAW DOWN *
1 *	100 GAL PER CYCLE
2 *	BASED ON 500 GALLON PUMP TANK
3 *	
4 *	

NO MORE THAN 20% DOSING OF SYSTEM VOLUME PER CYCLE  
EXAMPLE: 450GPD=90 GALLONS PER CYCLE

APPROVED FILTER PUMP VAULT

**OPTIONAL VENT LOCATIONS:**



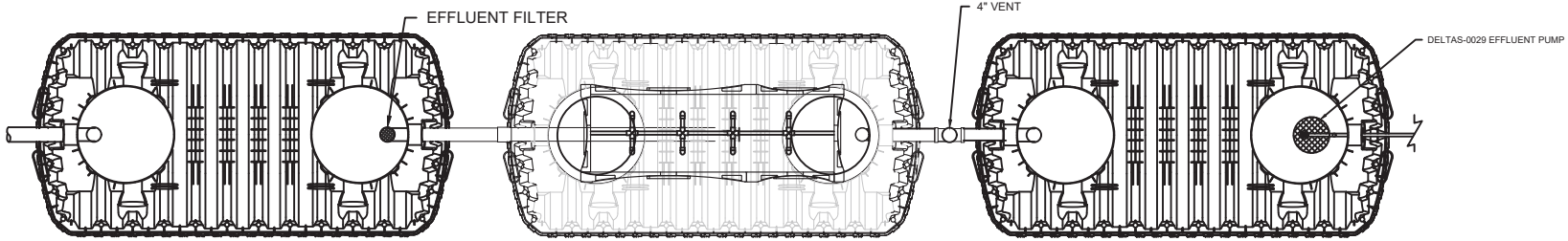
PUMP CHART			
PUMP	ELEVATION	MAX. DISTANCE	MIN. PIPE SIZE
1/2 HP	30'	500'	min 3"
1 HP	100'	1000'	min 3"

- \*NOTE: ALL EXTERIOR PIPE SIZE AS PER OREGON REQUIREMENTS
- \*NOTE: THE VOLUME OF THE DOSING TANK WILL BE AS REQUIRED IN OAR 340-071-220(6)
- \*NOTE: THE VOLUME OF THE SEPTIC TANK WILL BE AS REQUIRED IN OAR 340-071-220(3)

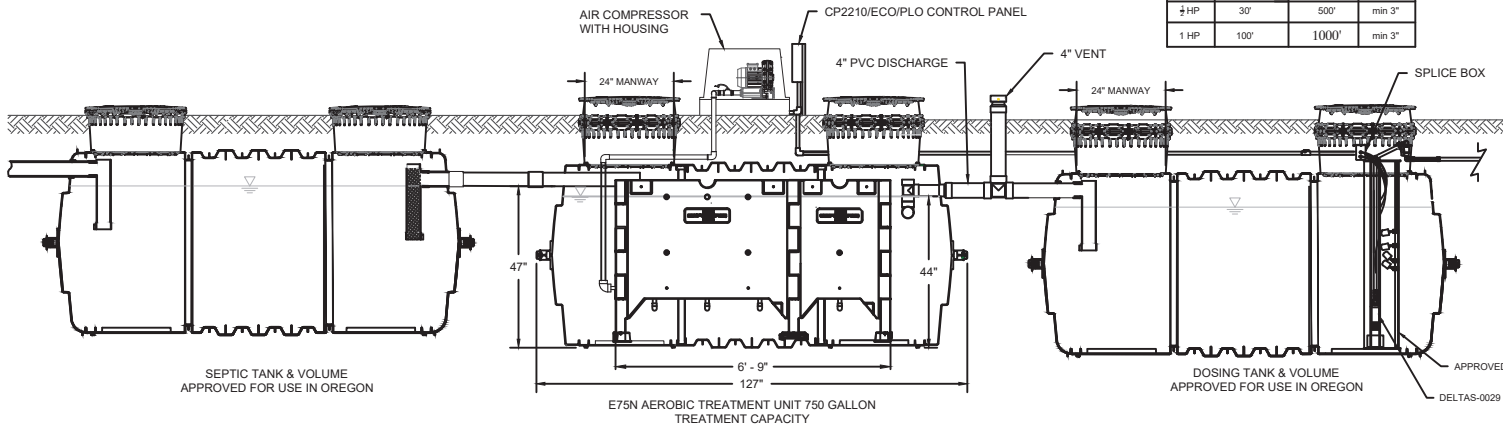
**CONFIGURATION 3**

		<b>DELTA ECOPOD 750 GPD UNIT W/ OREGON APPROVED SEPTIC TANK &amp; DOSING TANK</b>							
REV.	DATE	REVISION DESCRIPTION	BY	PLOT SCALE	DRAWING NUMBER	DRAWN BY	DATE	SHEET OF	REV
				NTS	DEP248A E75N	L.CUTRER	7/28/16	1 OF 1	B
<small>COMPANY CONFIDENTIAL: INFORMATION CONTAINED HEREIN IS CONFIDENTIAL. IT IS THE PROPERTY OF DELTA TREATMENT SYSTEMS, IT IS TO BE USED SOLELY FOR THE PURPOSE PROVIDED, AND IT IS NOT TO BE DISCLOSED TO OTHERS WITHOUT THE PRIOR WRITTEN CONSENT OF DELTA TREATMENT SYSTEMS.</small>									

Added 11/30/2021 to show alternate vent options



PUMP CHART			
PUMP	ELEVATION	MAX. DISTANCE	MIN. PIPE SIZE
½ HP	30'	500'	min 3"
1 HP	100'	1000'	min 3"

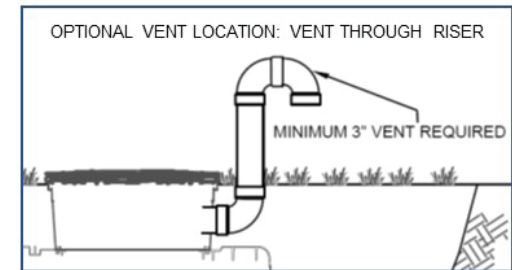


BASIN FLOAT LEVELS	* DRAW DOWN
1 *	
2 *	100 GAL PER CYCLE BASED ON 500 GALLON PUMP TANK.
3 *	
4 *	


NO MORE THAN 20% DOSING OF SYSTEM VOLUME PER CYCLE  
EXAMPLE: 450 gpd = 90 GALLONS PER CYCLE

**NOTES:**

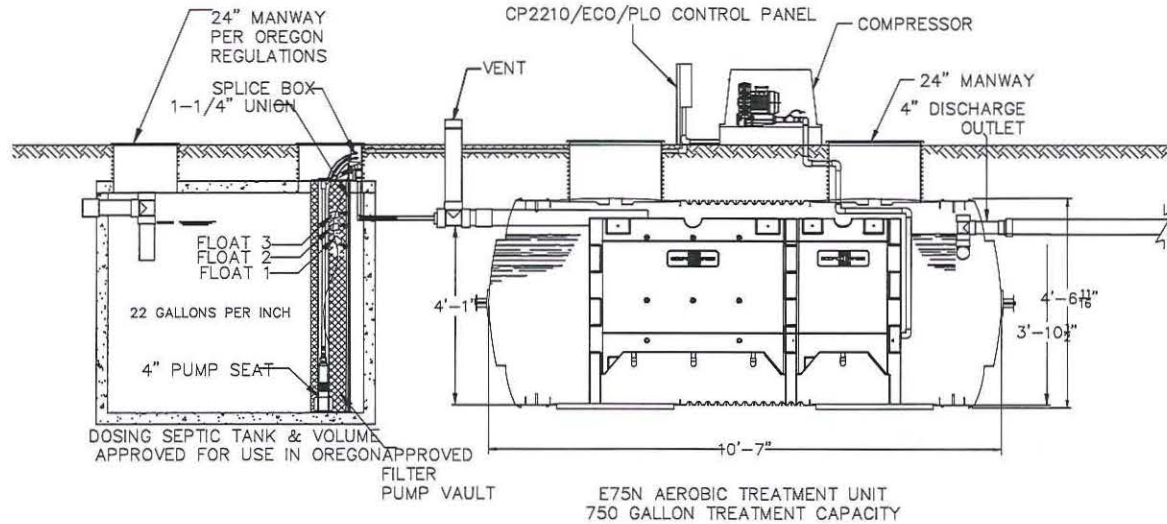
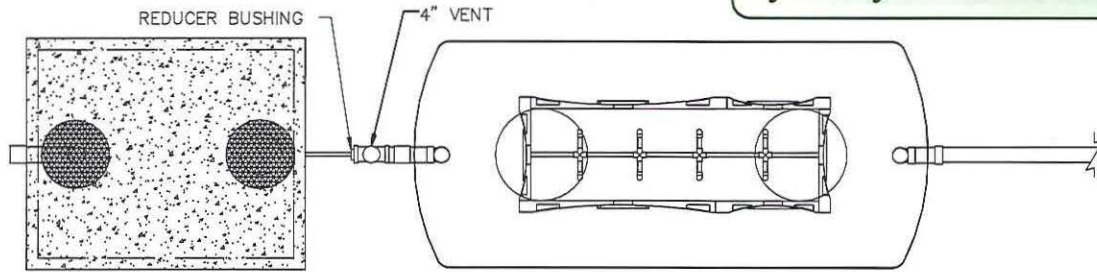
- ELEVATION LEVEL BETWEEN TANKS PER OREGON STATE RULES.
- PIPE SIZE TO DRAIN FIELD PER OREGON STATE REGULATIONS.
- ALL TANKS MUST BE WATERTIGHT.
- ALL EXTERIOR PIPE SIZE AS PER OREGON REQUIREMENTS
- SEPTIC TANK VOLUME AS REQUIRED IN OR 340-071-220 (3).



Z:\A\ E P\Drawings\By Product\Ecopod\Ecopod-NIM\State Specific\Oregon\2020 Update

REV.		DATE	REVISION DESCRIPTION	BY			<b>DELTA ECOPOD 750 GPD UNIT W/ OREGON APPROVED SEPTIC TANK &amp; DOSING TANK</b>			
COMPANY CONFIDENTIAL: INFORMATION CONTAINED HEREIN IS CONFIDENTIAL. IT IS THE PROPERTY OF DELTA TREATMENT SYSTEMS, IT IS TO BE USED SOLELY FOR THE PURPOSE PROVIDED, AND IT IS NOT TO BE DISCLOSED TO OTHERS WITHOUT THE PRIOR WRITTEN CONSENT OF DELTA TREATMENT SYSTEMS.		PLOT SCALE	DRAWING NUMBER	DRAWN BY						
					NTS	DTS248A E75N	RYAN D.	6/23/2020	1 OF 1	A

**APPROVED**  
By Randy Trox at 10:34 am, Sep 16, 2016

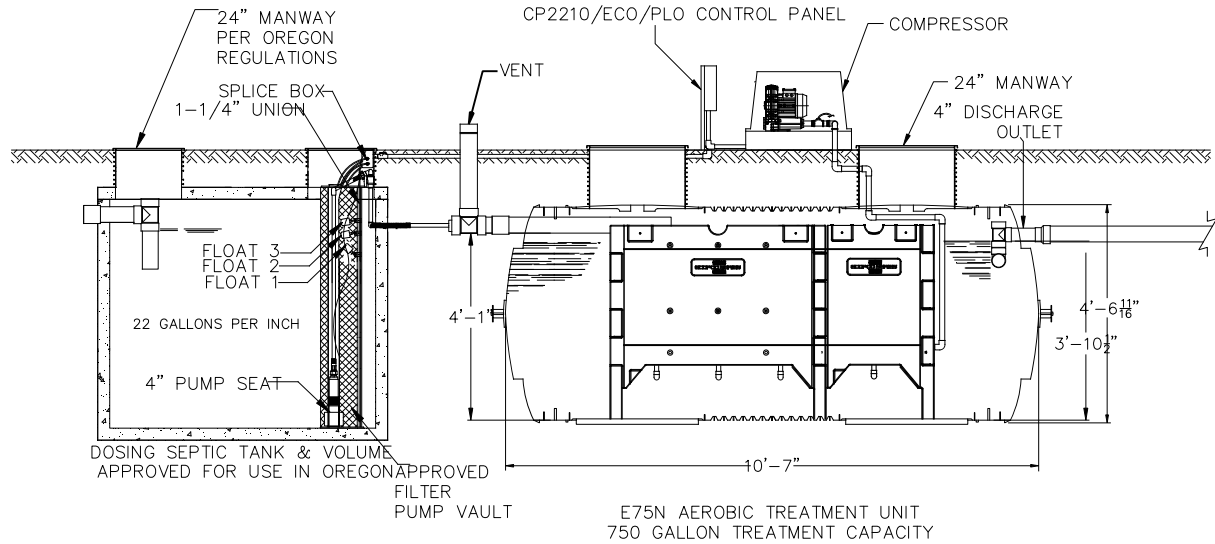
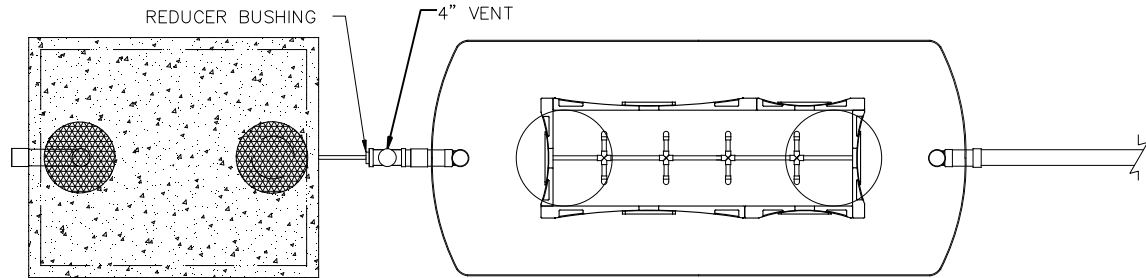


\*NOTE: THE VOLUME OF THE SEPTIC TANK WILL BE AS REQUIRED ON OAR 340-071-220 (3)  
\*NOTE: ALL EXTERIOR PIPE SIZE AS PER OREGON REQUIREMENTS

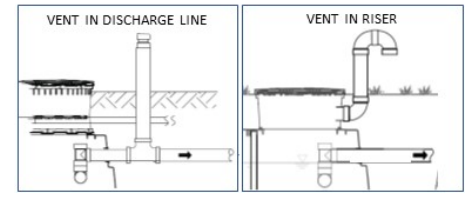
CONFIGURATION 2

				<b>DELTA ECOPOD 750 GPD UNIT W/ OREGON APPROVED DOSING SEPTIC TANK</b>					
REV.	DATE	REVISION DESCRIPTION	BY	PLOT SCALE	DRAWING NUMBER	DRAWN BY	DATE	SHEET OF	REV
				NTS	DEP248A E75N	L.CUTRER	7/28/16	1 OF 1	B
COMPANY CONFIDENTIAL: INFORMATION CONTAINED HEREIN IS CONFIDENTIAL, IT IS THE PROPERTY OF PENTAIR PUMP GROUP, IT IS TO BE USED SOLELY FOR THE PURPOSE PROVIDED, AND IT IS NOT TO BE DISCLOSED TO OTHERS WITHOUT THE PRIOR WRITTEN CONSENT OF PENTAIR PUMP GROUP.									

Added 11/30/2021 to show alternate vent options



OPTIONAL VENT LOCATIONS:



\*NOTE: THE VOLUME OF THE SEPTIC TANK WILL BE AS REQUIRED ON OAR 340-071-220 (3)  
\*NOTE: ALL EXTERIOR PIPE SIZE AS PER OREGON REQUIREMENTS

CONFIGURATION 2



DELTA ECOPOD 750 GPD UNIT  
W/ OREGON APPROVED DOSING SEPTIC TANK

REV.	DATE	REVISION DESCRIPTION	BY

COMPANY CONFIDENTIAL: INFORMATION CONTAINED HEREIN IS CONFIDENTIAL. IT IS THE PROPERTY OF DELTA TREATMENT SYSTEMS, IT IS TO BE USED SOLELY FOR THE PURPOSE PROVIDED, AND IT IS NOT TO BE DISCLOSED TO OTHERS WITHOUT THE PRIOR WRITTEN CONSENT OF DELTA TREATMENT SYSTEMS.

PLOT SCALE  
NTS

DRAWING NUMBER  
DEP248A E75N

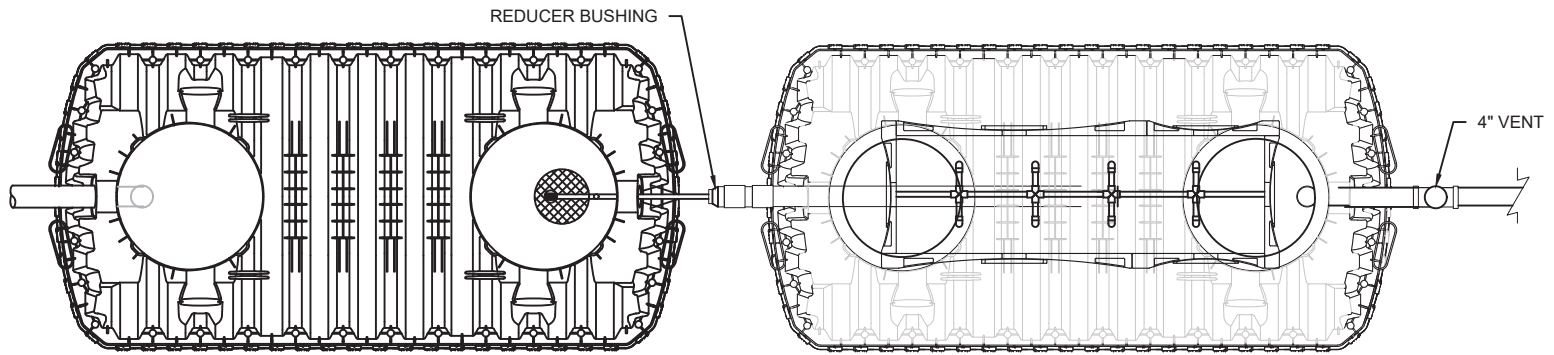
DRAWN BY  
L.CUTRER

DATE  
7/28/16

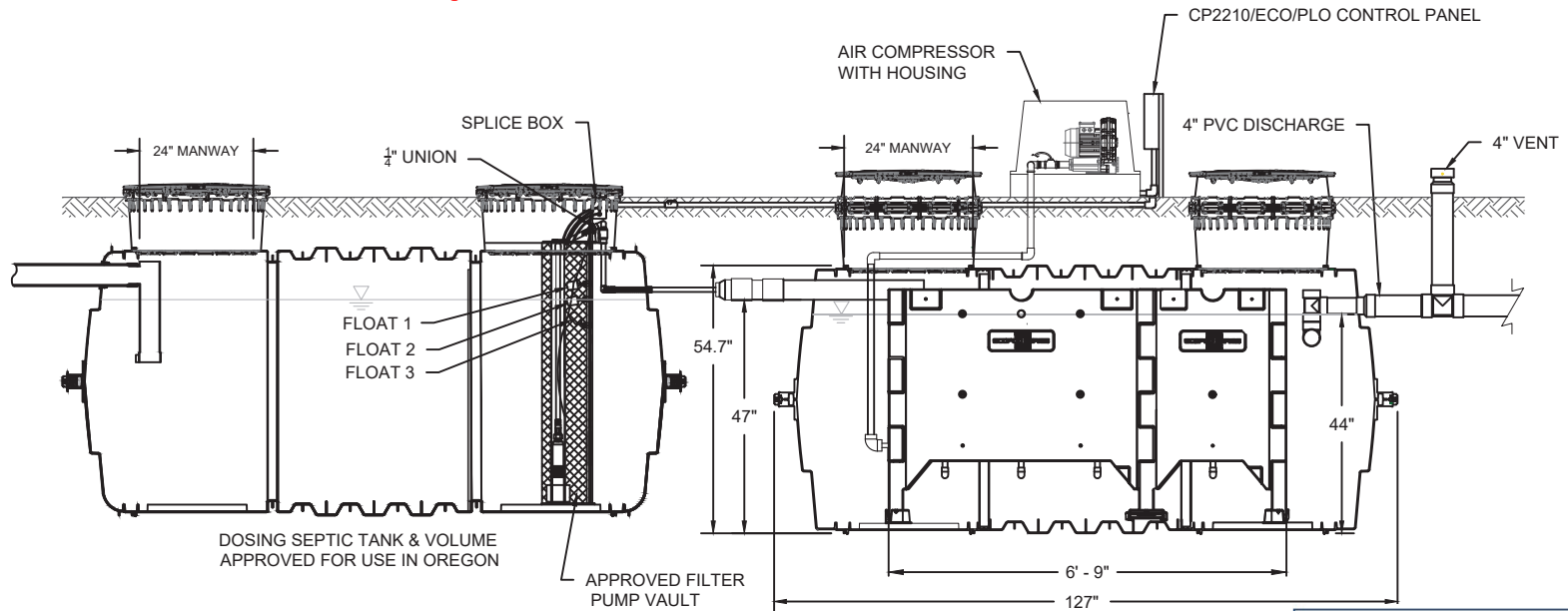
SHEET OF  
1 OF 1

REV  
B



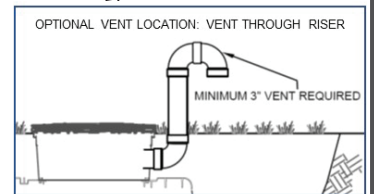


Added 11/30/2021 to show alternate vent options



**NOTES:**

- ELEVATION LEVEL BETWEEN TANKS PER OREGON STATE RULES.
- PIPE SIZE TO DRAIN FIELD PER OREGON STATE REGULATIONS.
- ALL TANKS MUST BE WATERTIGHT.
- ALL EXTERIOR PIPE SIZE AS PER OREGON REQUIREMENTS
- SEPTIC TANK VOLUME AS REQUIRED IN OR 340-071-220 (3).



REV.	DATE	REVISION DESCRIPTION	BY



**DELTA ECOPOD 750 GPD UNIT  
W/ OREGON APPROVED DOSING SEPTIC  
TANK**

COMPANY CONFIDENTIAL: INFORMATION CONTAINED HEREIN IS CONFIDENTIAL, IT IS THE PROPERTY OF DELTA TREATMENT SYSTEMS, IT IS TO BE USED SOLELY FOR THE PURPOSE PROVIDED, AND IT IS NOT TO BE DISCLOSED TO OTHERS WITHOUT THE PRIOR WRITTEN CONSENT OF DELTA TREATMENT SYSTEMS.

PLOT SCALE  
NTS

DRAWING NUMBER  
DTS248A E75N

DRAWN BY  
RYAN D.

DATE  
6/23/2020

SHEET  
OF  
1 OF 1

REV  
A