

Mapped, edited, and published by the Geological Survey

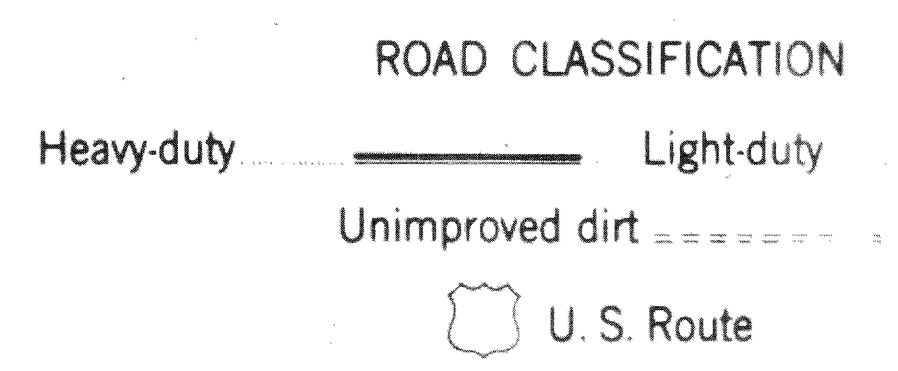
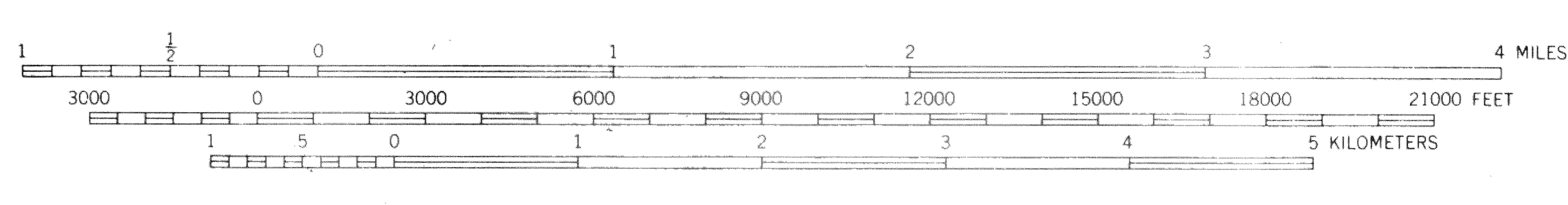
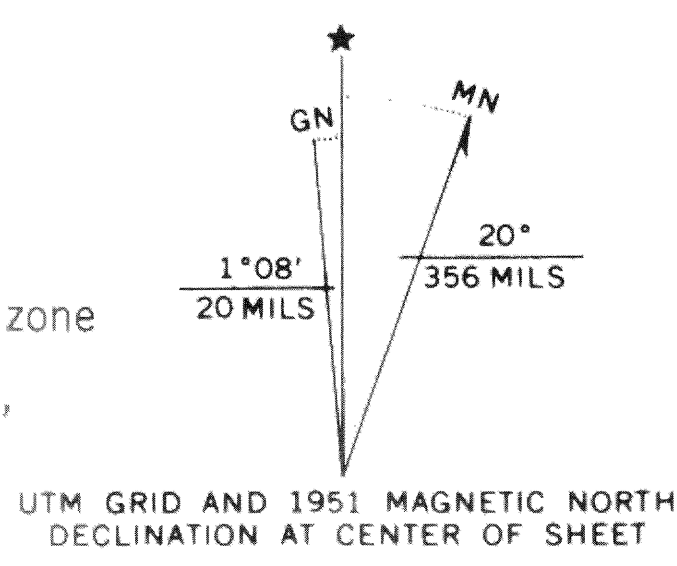
Control by USGS and USC&GS

Topography from aerial photographs by multiplex methods
Aerial photographs taken 1946. Field check 1951

Polyconic projection. 1927 North American datum
10,000-foot grid based on Oregon coordinate system, north zone

1000-meter Universal Transverse Mercator grid ticks,
zone 11, shown in blue

Dashed land lines indicate approximate locations



CONTOUR INTERVAL 40 FEET
DATUM IS MEAN SEA LEVEL