



# ADA Quick Reference Guide — Campsites

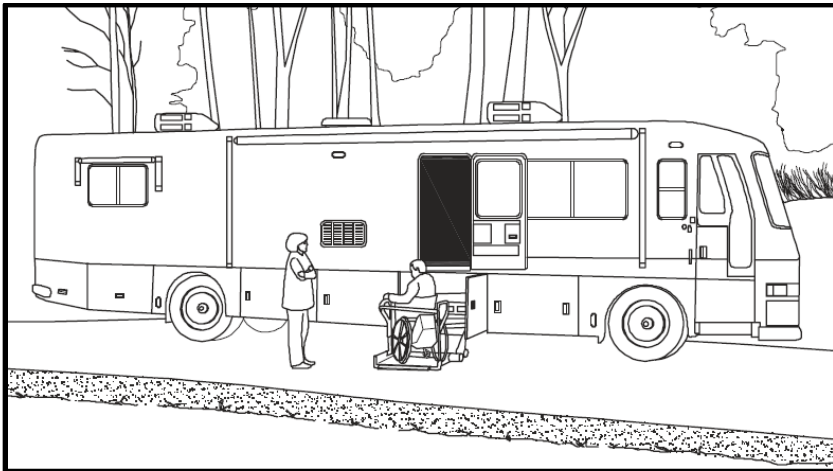
## ADA accessible sites per campground

ADA accessible campsites per campground is based on the actual total amount of all campsites.

Total number of camping units at park	Minimum number required with mobility features
1	1
2 to 25	2
26 to 50	3
51 to 75	4
76 to 100	5
101 to 150	7
151 to 200	8
200 and over	8, plus 2% of the number over 200

## RV Pad

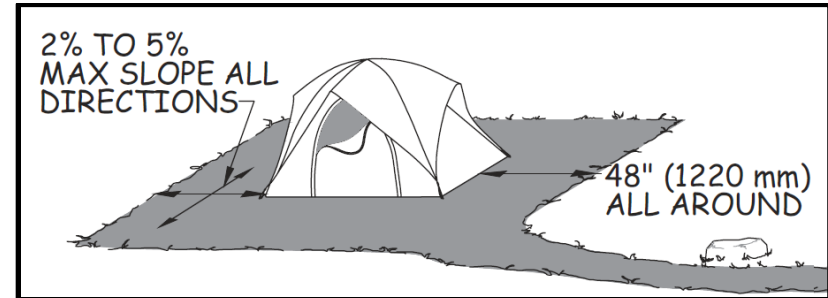
RV pads must be 20' wide plus 3' on driver's side to access utility hookups. Include accessible table and fire pit (see "Trails," right).



Pictured: An accessible recreational vehicle with a wheelchair lift.

## Tent pad

There is no prescriptive tent size, as tents come in all sizes. However, ensure the tent pad is a flat surface with 2% to 5% max. slope in all directions.



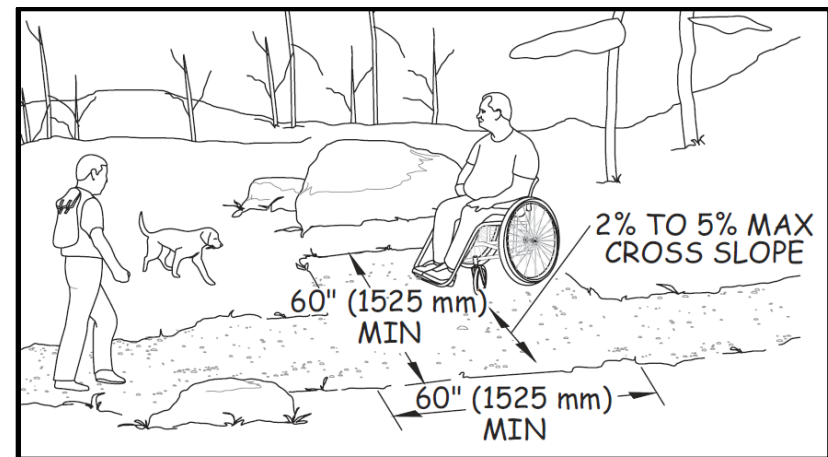
## Trails

No preference as long as trails have a compact surface such as concrete, asphalt or compressed gravel.

**Width:** 36" min.

**Passing space:** 60" x 60" min.

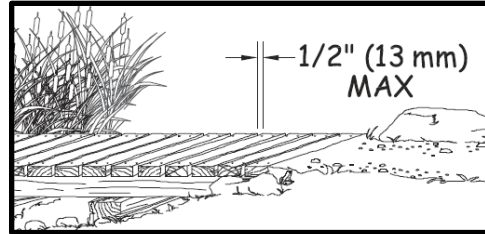
**Cross slope:** 2% to 5% max.



## Openings

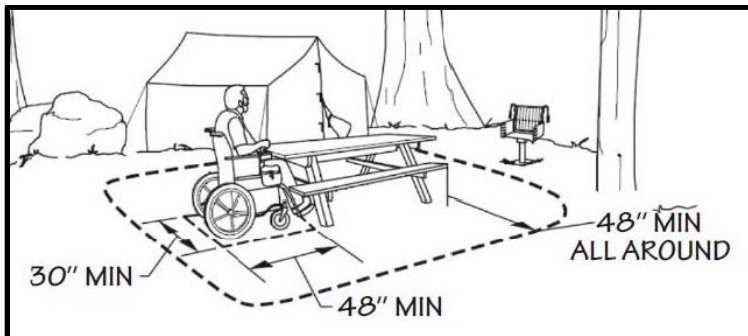
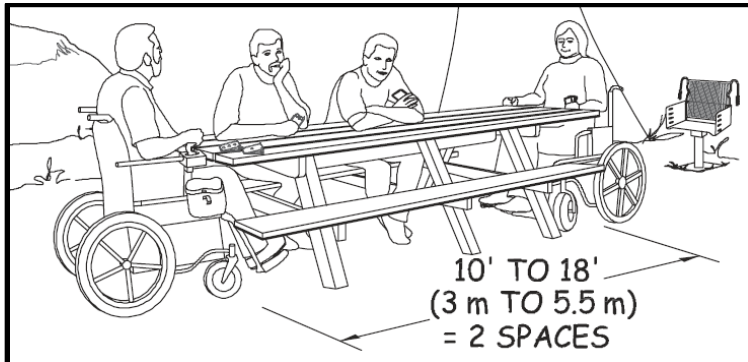
Openings are gaps in the surface of a trail. Gaps must be no more than 1/2" (13mm) wide. This prevents assistive tools like wheelchairs and navigational canes from becoming stuck in the gaps, and reduces the risk of tripping and falling.

Note: Where possible, openings in boardwalk decking should be placed perpendicular to the direction of travel.



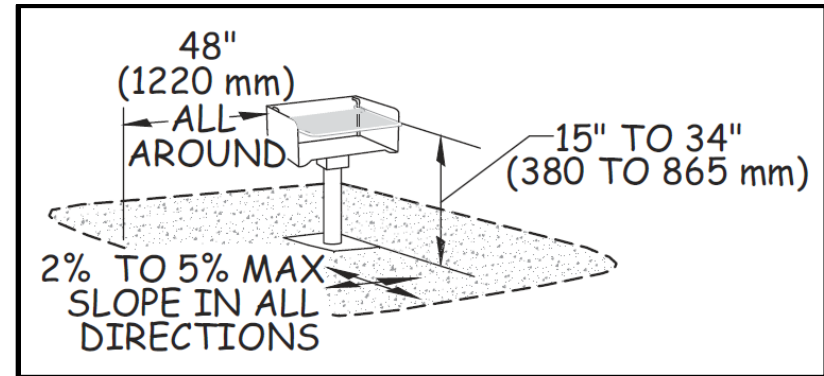
## Picnic tables

Picnic table surface height must be no more than 34" and no less than 28" above the floor. At least 27" of knee clearance must be provided between the floor and the underside of the table. A 9' table requires one wheelchair space. A 10' to 18' table requires two wheelchair spaces.



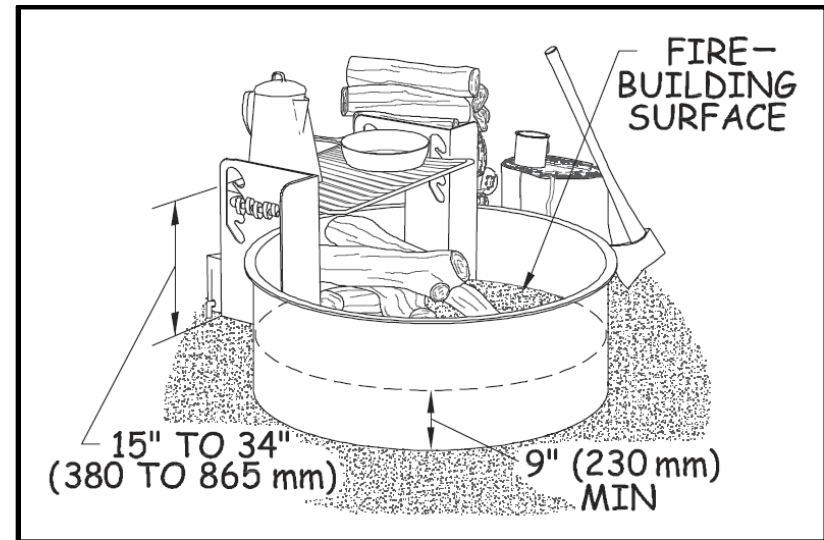
## Grill

Grills must be 15" to 34" high with a 2% to 5% max. slope in all directions, surrounded by a 48" flat surface all around it.



## Fire pit

Fire pits must be 15"-34" height, with a 9" min. depth for fire building.



## Source:

United States Access Board, "Outdoor Developed Areas," summary of accessibility standards for Federal outdoor developed areas, May 2014: <https://tinyurl.com/yckpu85c>