

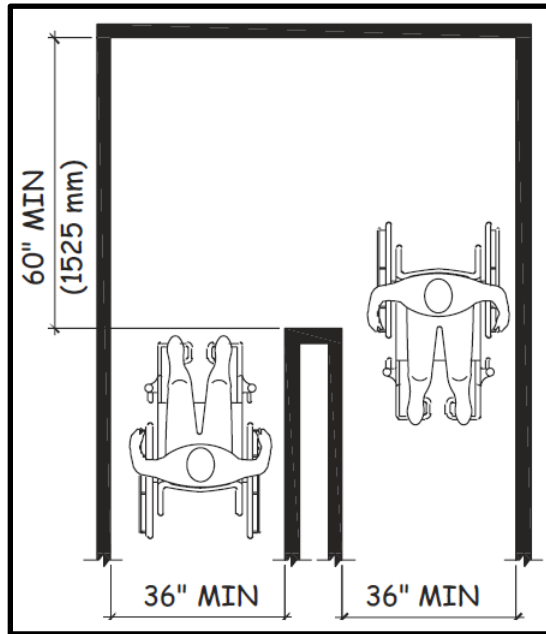


# ADA Quick Reference Guide — General Accessibility

## Accessible Routes

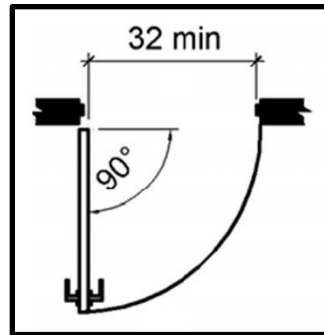
Walking surfaces such as doorways, ramps, and curb ramps shall not be steeper than 1:20 with a cross slope not steeper than 1:48.

Clear width of walking surfaces shall be 36" minimum, with a 60" clear width at turn (right).



## Door Entry

Door widths shall be at least 32" between the face of the door and the stop when opened 90 degrees (right)



## Door Weight

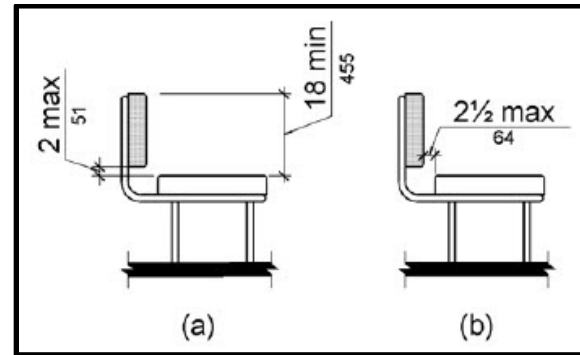
The force for pushing or pulling open a door shall be 5 pounds maximum for interior hinged doors with hardware at a minimum of 34" to a maximum of 48" from the ground.

## Door thresholds

Doorway thresholds shall be a maximum of 1/2" high.

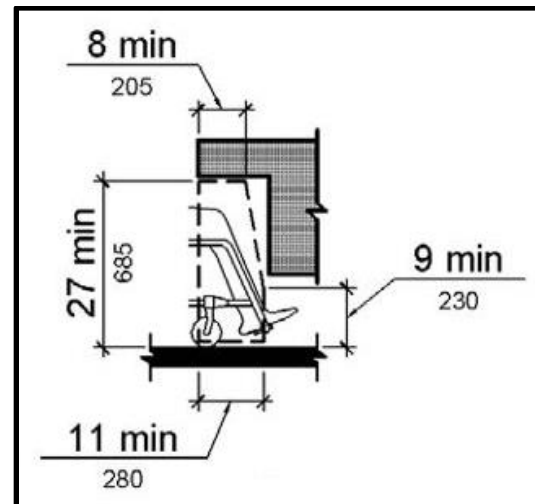
## Benches

The top of the bench seat surface shall be 17" minimum and 19" maximum above the floor. The surface of the seat shall be slip resistant and not accumulate water. The bench shall be 42" long minimum and 20" to 24" deep.



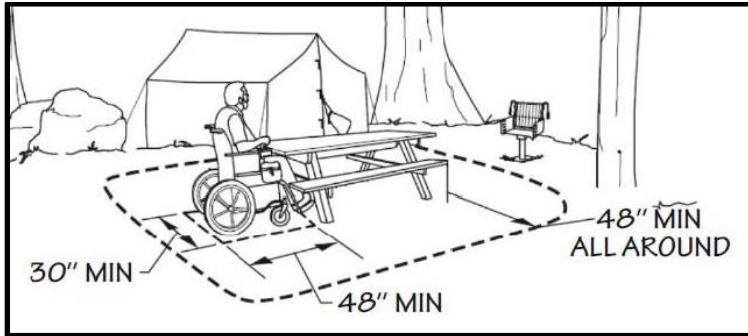
## Knee Clearance

Space under an element (such as a sink or counter) shall be 9" to 27" above the floor for knee clearance.



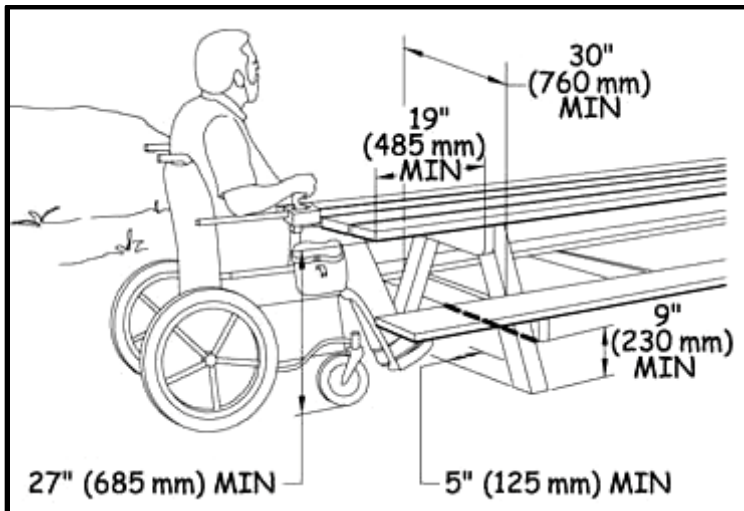
## Picnic Areas

Picnic table surface height must be no more than 34" and no less than 28" above the floor. At least 27" of knee clearance must be provided between the floor and the underside of the table. A 9' table requires one wheelchair space. A 10' to 18' table requires two wheelchair spaces.



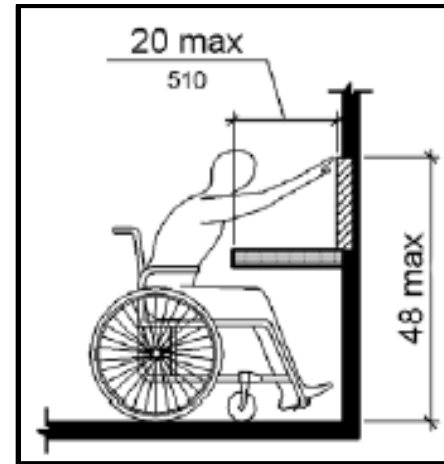
## Table Height

Surface height shall be between 28" and 34" above the floor. At least 27" of knee clearance must be provided between the floor and the underside of the table.

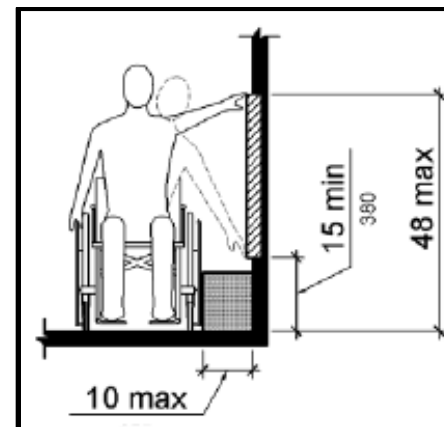


## Reach Ranges

**Obstructed** forward reach shall be no more than 20" in depth maximum and 48" in height maximum.



**Unobstructed** side reach shall be between 15" to 48" in height from the floor.



## Source:

United States Access Board, "Outdoor Developed Areas" summary of accessibility standards for Federal outdoor developed areas, May 2014: <https://www.access-board.gov/files/aba/guides/outdoor-guide.pdf>