
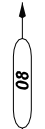


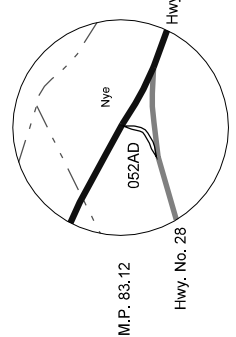
HEPPNER HIGHWAY No. 52

Example:  

* Indicates a National Hwy. System Highway with a Functional Classification Code of 11.
* Indicates a Highway with a Functional Classification Code of 08.
Not a National Hwy. System Highway.


FUNCTIONAL CLASSIFICATION SYSTEM		
URBAN FUNCTIONAL SYSTEM		
16	Minor Arterial	
17	Collector	
19	Local	
RURAL FUNCTIONAL SYSTEM		
01	Interstate System	
02	Other Principal Arterial	
06	Minor Arterial	
07	Major Collector	
08	Minor Collector	
09	Local	
11	Interstate	
12	Other Freeways and Expressways	
14	Other Principal Arterials	

PENDLETON-JOHN DAY HWY. CONNECTION
(UMATILLA CO.)



M.P. 83.12
Hwy. No. 28
Hwy. No. 52

CONNECTION No. 1 (052AD)



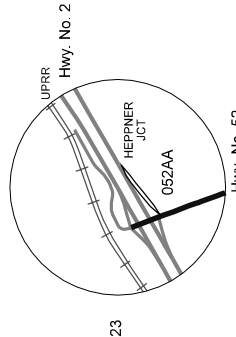
1C83.15

HEPPNER HWY. No. 52

PENDLETON-JOHN DAY HWY. No. 28 (M.P. 23.68)


Total Length 0.03 Miles

COLUMBIA RIVER HWY. CONNECTION
(GILLIAM CO.)



M.P. 0.23
UPRR
Hwy. No. 2
HEPPNER JCT
052AA
Hwy. No. 52

CONNECTION No. 1 (052AA)



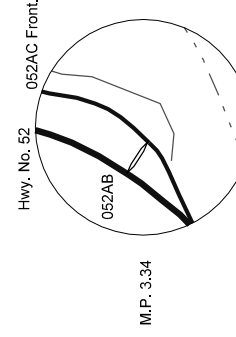
1C0.59

HEPPNER HWY. No. 52

COLUMBIA RIVER HWY. No. 2 (M.P. 147.70)


Total Length 0.36 Miles

FRONTAGE ROAD
(GILLIAM CO.)



Hwy. No. 52
052AC Front.
052AB
M.P. 3.34

FRONTAGE No. 1 (052AB)



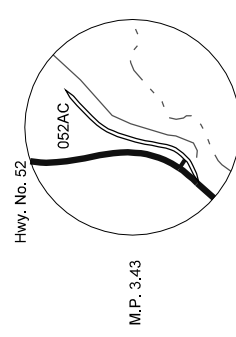
1F3.36

HEPPNER HWY. No. 52

052AC Front. (M.P. 1F3.52)


Total Length 0.02 Miles

WILLOW CREEK FRONTAGE RD.
(GILLIAM CO.)



Hwy. No. 52
052AC
M.P. 3.43

FRONTAGE No. 1 (052AC)



1F3.52

HEPPNER HWY. No. 52

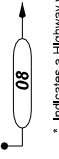
052AC Conn. (M.P. 1C3.36)

Sullivan Rd. (Ahead)

Total Length 0.35 Miles

HEPPNER HIGHWAY No. 52

Example:



* Indicates a Highway with a Functional Classification Code of 08. Not a National Hwy. System Highway.

FUNCTIONAL CLASSIFICATION SYSTEM

URBAN FUNCTIONAL SYSTEM

- 16 Minor Arterial
- 17 Collector
- 19 Local

- 11 Interstate
- 12 Other Freeways and Expressways
- 14 Other Principal Arterials

RURAL FUNCTIONAL SYSTEM

- 07 Major Collector
- 08 Minor Collector
- 09 Local

- 01 Interstate System
- 02 Other Principal Arterial
- 06 Minor Arterial

NHS

- 01 National Highway System

Example:



* Indicates a National Hwy. System Highway with a Functional Classification Code of 11.

