
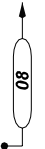


NORTH UMPQUA HIGHWAY No. 73

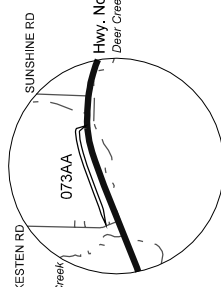
FUNCTIONAL CLASSIFICATION SYSTEM

Example:  * Indicates a National Hwy. System Highway with a Functional Classification Code of 11. Not a National Hwy. System Highway.

Example:  * Indicates a Highway with a Functional Classification Code of 08. Not a National Hwy. System Highway.

RURAL FUNCTIONAL SYSTEM			URBAN FUNCTIONAL SYSTEM		
01 Interstate System	07 Major Collector	11 Interstate	16 Minor Arterial	17 Collector	19 Local
02 Other Principal Arterial	08 Minor Collector	12 Other Freeways and Expressways	17 Collector	19 Local	
06 Minor Arterial	09 Local	14 Other Principal Arterials			

KESTER-QUARRY FRONTAGE RD. (DOUGLAS CO.)



M.P. 3.19

FRONTAGE RD. No. 1 (073AA)

F2.84

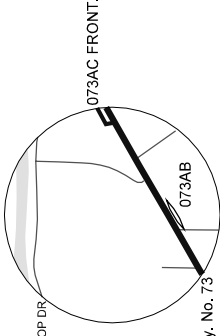
Kester Rd. (Co.)

F3.19
= F3.18

NORTH UMPQUA HWY. No. 73

Total Length 0.35 Miles

SOUTH FRONTAGE RD. (DOUGLAS CO.)



M.P. 17.40

FRONTAGE RD. No. 1 (073AB)

F17.05

Estrella St. Road (Pvt.)

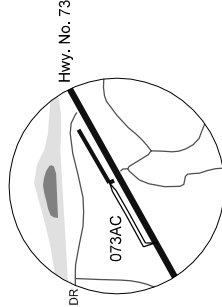
F17.10

Scott St. (Ahead)

F17.14

Total Length 0.09 Miles

"F" FRONTAGE RD. (DOUGLAS CO.)



M.P. 17.40

FRONTAGE RD. No. 1 (073AC)

F17.40
= F17.40

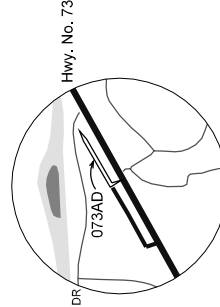
F17.59

NORTH UMPQUA HWY. No. 73

073AD Front. (M.P. F17.61)

Total Length 0.19 Miles

"G" FRONTAGE RD. (DOUGLAS CO.)



M.P. 17.59

FRONTAGE RD No. 1 (073AD)

F17.59
= F17.59

F17.61

F17.78

NORTH UMPQUA HWY. No. 73

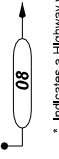
073AC Front. (M.P. F17.59)

Road

Total Length 0.19 Miles

NORTH UMPQUA HIGHWAY No. 73

Example:



* Indicates a Highway with a Functional Classification Code of 08. Not a National Hwy. System Highway.

FUNCTIONAL CLASSIFICATION SYSTEM

RURAL FUNCTIONAL SYSTEM		URBAN FUNCTIONAL SYSTEM	
01	Interstate System	11	Interstate
02	Other Principal Arterial	12	Other Freeways and Expressways
06	Minor Arterial	14	Other Principal Arterials
07	Major Collector	16	Minor Arterial
08	Minor Collector	17	Collector
09	Local	19	Local

NHS
National Highway System

Example:
 * Indicates a National Hwy. System Highway with a Functional Classification Code of 11.

