
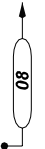


LAKE OF THE WOODS HIGHWAY No. 270

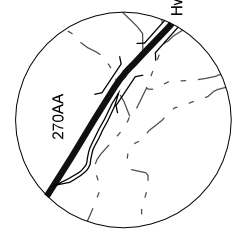
FUNCTIONAL CLASSIFICATION SYSTEM

Example:  

* Indicates a National Hwy. System Highway with a Functional Classification Code of 11.
* Indicates a Highway with a Functional Classification Code of 08. Not a National Hwy. System Highway.


NATIONAL HIGHWAY SYSTEM			RURAL FUNCTIONAL SYSTEM			URBAN FUNCTIONAL SYSTEM		
01	Interstate System	01	07	Major Collector	16	Minor Arterial	17	Collector
02	Other Principal Arterial	02	08	Minor Collector	18	Other Freeways and Expressways	19	Local
06	Minor Arterial	06	09	Local	19	Other Principal Arterials		

FRONTAGE RD. (JACKSON CO.)



M.P. 11.62

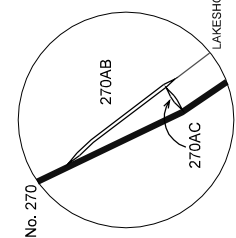
FRONTAGE RD. No. 1 (270AA)



LAKE OF THE WOODS HWY. No. 270
ODOT Stockpile Site
Barricade

Total Length 0.56 Miles


LAKESHORE DR. CONNECTIONS (KLAMATH CO.)



Hwy. No. 270

M.P. 62.66


CONNECTION No. 1 (270AB)



LAKE OF THE WOODS HWY. No. 270
270AC Conn. (M.P. 2C62.92)
Lakeshore Dr. (Co. Ahead)

Total Length 0.24 Miles

CONNECTION No. 2 (270AC)

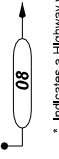


LAKE OF THE WOODS HWY. No. 270
270AB Conn. (M.P. 1C62.88)

Total Length 0.04 Miles

LAKE OF THE WOODS HIGHWAY No. 270

Example:



* Indicates a Highway with a Functional Classification Code of 08. Not a National Hwy. System Highway.

FUNCTIONAL CLASSIFICATION SYSTEM

URBAN FUNCTIONAL SYSTEM

- 16 Minor Arterial
- 17 Collector
- 19 Local
- 11 Interstate
- 12 Other Freeways and Expressways
- 14 Other Principal Arterials

RURAL FUNCTIONAL SYSTEM

- 07 Major Collector
- 08 Minor Collector
- 09 Local
- 01 Interstate System
- 02 Other Principal Arterial
- 06 Minor Arterial

NHS

- 01 Interstate System
- 02 Other Principal Arterial
- 06 Minor Arterial

Example:



* Indicates a National Hwy. System Highway with a Functional Classification Code of 11.

