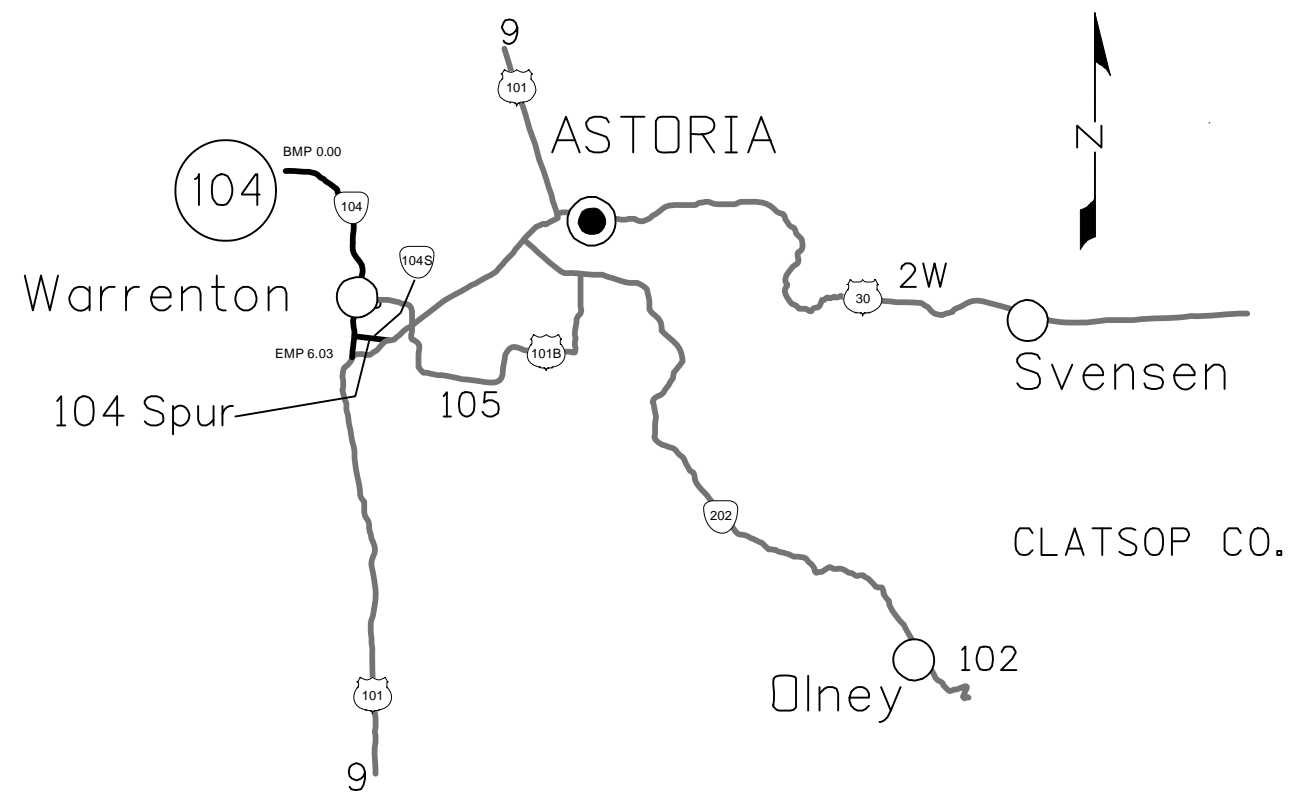
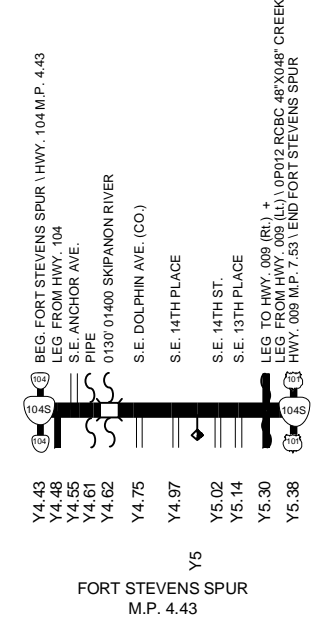
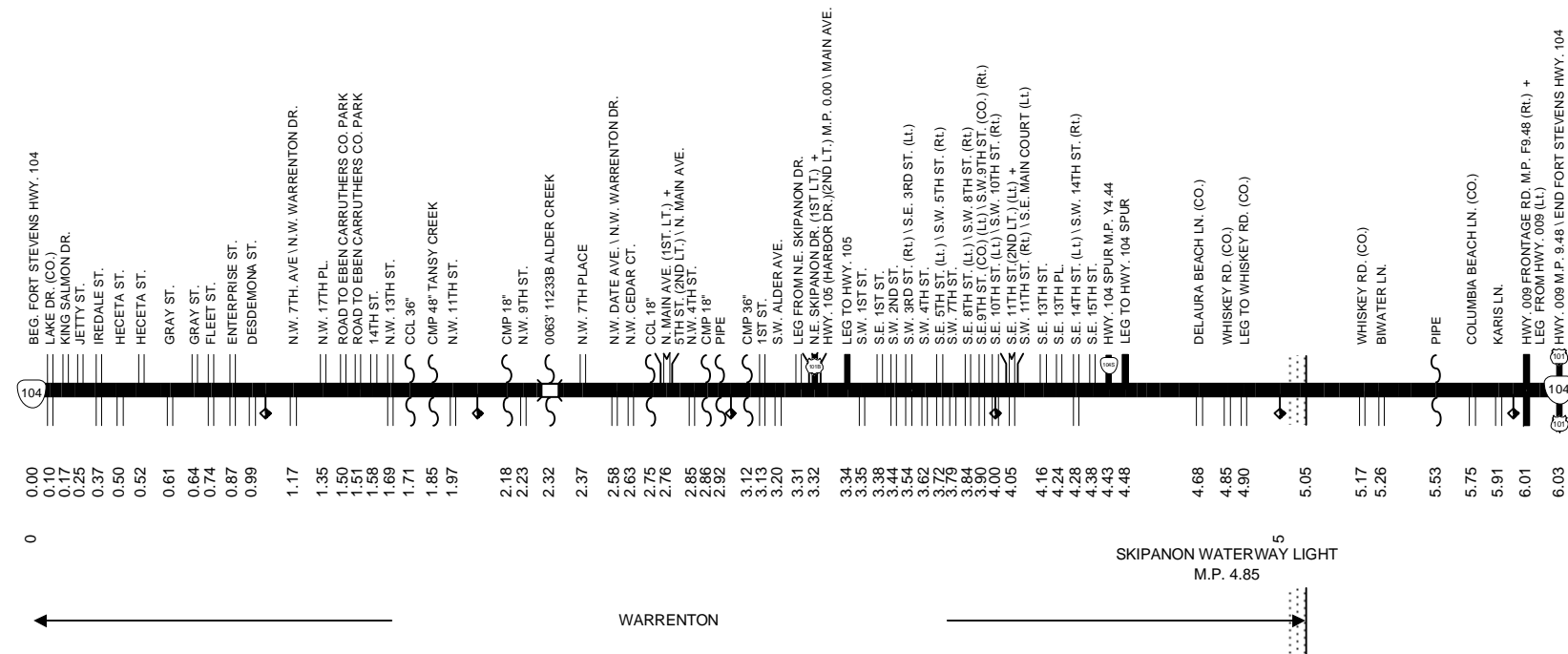


# Region 2 District 1

# FORT STEVENS HIGHWAY No. 104

Sheet 1 of 1  
February 2008



EQUATIONS:			Urban Area
	None	TOTAL MILEAGE (w / spur)	6.98
DUPLICATE MILEAGE:	Spur	0.95	0.00
	Temporary Route	0.00	0.00
Note: Jurisdiction of intersecting local roads as of: Clatsop County 2006	Existing Highway	6.03	0.00
	ADDITIONAL MILEAGE	0.00	
	Connections	0.00	
	Frontage Roads	0.00	
	EXCLUDED MILEAGE	0.00	
	Located Line	0.00	
	Temporary Route	0.00	
Roadway 2	0.00		